


22262021	<b>DATA SHEET</b>	
Valid from: 29.01.2020	<b>AB-C5-DSI-M12MSB-M12FSB-M16-SH</b>	

### Description

- Sensor/Actuator control cabinet feed through
- Plug on jack
- M12, 5 pins, B-coded, shielded
- Bipolar/screw mounting



### General characteristics

Ambient Temperature (operation)	-25 to +85 °C (-13 to 185 °F)
Protection class	IP 67
Number of pins	5
Coding	B-inverse
Status indicator	No

### Mechanical characteristics

Flammability acc. to UL 94	HB
Contact, material	CuZn
Contact surface, material	Au
Contact carrier, material	PA 66
Knurl, material	Nickel plated brass
Seal, material	NBR


### Electrical characteristics

Rated voltage	60 V
Rated current (at 40 °C)	4 A
Overvoltage category	II
Pollution degree	3
Insulation resistance	≥ 100 MΩ

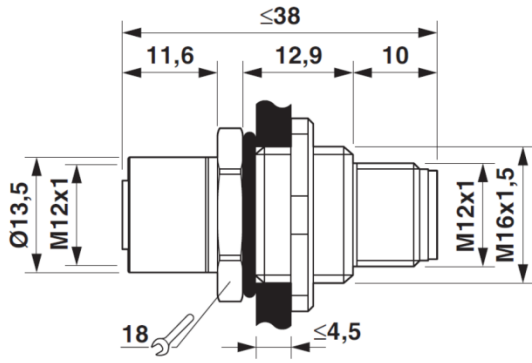
### Standard

Product standard	M12-plug according to IEC 61076-2-101
------------------	---------------------------------------

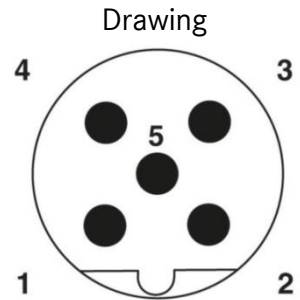
Creator: MOKO2/PDP Released: IVSE1/PDP	Document: DB22262021EN Version: 02	Page 1 of 2
---	---------------------------------------	-------------

22262021	<b>DATA SHEET</b>	
Valid from: 29.01.2020	<b>AB-C5-DSI-M12MSB-M12FSB-M16-SH</b>	

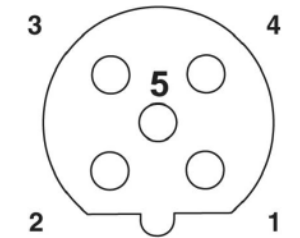
**Technical drawing**



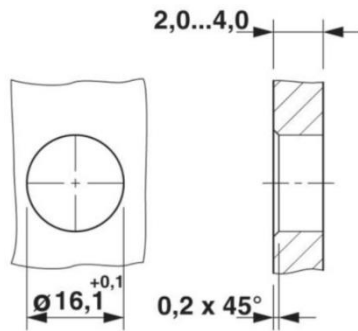
Cabinet feed-through, M12-plug on M12-jack



M12-plug, 5-pins, B-coded



M12-jack, 5-pins, B-coded



Mounting cut-out

**Circuit diagram**



Contact assignment M12-plug and M12-jack

**Application range**

Machine and equipment manufacturing

**Note**

Photographs are not true to scale and do not represent detailed images of the respective products.

Creator: MOKO2/PDP Released: IVSE1/PDP	Document: DB22262021EN Version: 02	Page 2 of 2
---	---------------------------------------	-------------