


19426000	DATA SHEET	
Valid from: 04.04.2024	EPIC® H-A 3 TG	

Description

- Compact housing for power supply in the smallest place.



General Characteristics

Series	H-A 3
Version	Hood
Locking	Bolts for single lever
Cable entry	M20x1,5 according to EN 60423
Cable gland	See table
Protection rating (DIN EN 60529)	IP 67 (latched)
Protection rating (NEMA 250, UL50E)	4, 12 (latched)
Temperature Range	-40°C to +100°C, short term up to +125°C

Materials / Surfaces

Housing	PA-GF
Flammability Class according to UL94	V-0

Approvals

VDE-Approval, VDE-REG.-Nr.	B437
UL-Approval, E-File-Number	E75770


Standard

Harmonised standard	DIN EN 60529
Safety standard	IEC 61984

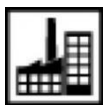
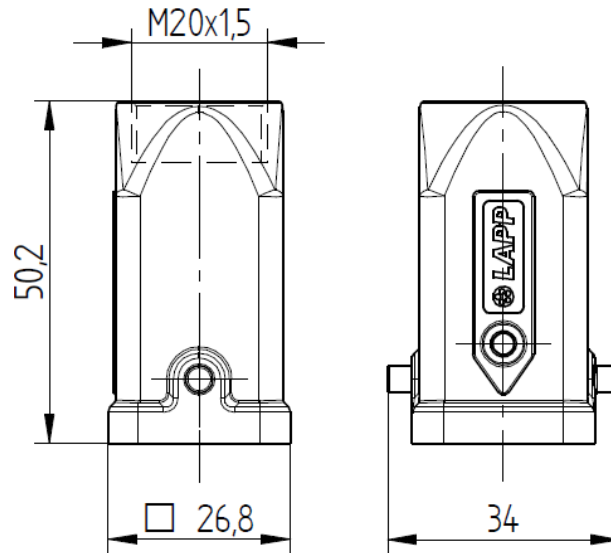
Versions

Article number	Article description	Cable gland	Farbe
19426000	EPIC® H-A 3 TG M20 GR	No	Grey (RAL 7035)
19425500	EPIC® H-A 3 TG M20 BK	No	Black (RAL 9005)

Creator: TODV1/BU EPIC Released: VACH1/BU EPIC	Document: DB19426000EN Version: 04	Page 1 of 2
---	---------------------------------------	-------------

19426000	DATA SHEET	
Valid from: 04.04.2024	EPIC® H-A 3 TG	

Technical Drawings



Industrial machinery and plant engineering



Mechanical resistance



Robust



Waterproof

Application range

Machine and equipment manufacturing, control engineering, electronic laboratory

Remark

Photographs are not to scale and do not represent detailed images of the respective products.

Creator: TODV1/BU EPIC Released: VACH1/BU EPIC	Document: DB19426000EN Version: 04	Page 2 of 2
---	---------------------------------------	-------------