


44428236	DATA SHEET	
Valid from: 07.12.2022	EPIC® SOLAR 4 PLUS FEMALE CONNECTOR	

Description

- Low contact-resistance for efficient power transmission
- Crimp connection for field mounting
- Suitable for EPIC® SOLAR 4 Plus Male Connector and:

1023629	ÖLFLEX SOLAR XLWP I+E 1X2,5 WH/BK
1023630	ÖLFLEX SOLAR XLWP I+E 1X4 WH/BK
1023631	ÖLFLEX SOLAR XLWP I+E 1X6 WH/BK
1023632	ÖLFLEX SOLAR XLWP I+E 1X10 WH/BK

and TÜV Rheinland Certificate R 50462071



General Characteristics


Series	EPIC® SOLAR 4 Plus
Rated voltage (V)	1500 V AC/DC
Rated impulse voltage	16 kV
Contact resistance	< 0.5 mOhm
Protection	IP 68, (10 h/1m)
Protection class	II
Temperature range	-40°C to +85°C
Degree of soiling	3
Upper Limit Temperature	105°C

Materials and Surfaces

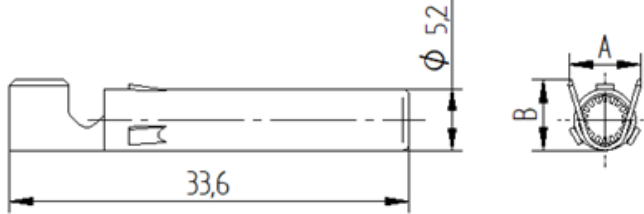
Insulating Body	Polyamid
Nut	Polyamid
Contact	Copper alloy, tin plated

Article Number	Article	Cross section [mm ²]	Cable clamping range [mm]	Rated current [A]
EPIC® SOLAR 4 Plus, female field-mountable, inclusive contacts				
44428234	EPIC® SOLAR 4 Plus F 4-6 mm ²	2,5	5,2 - 7,1	22
44428236	EPIC® SOLAR 4 Plus F 4-6 mm ²	4 - 6	5,2 - 7,1	30
44428238	EPIC® SOLAR 4 Plus F 10 mm ²	10	5,2 - 7,1	30
EPIC® SOLAR 4 Plus female contacts				
44428218	EPIC® SOLAR 4 Plus PIN F 2,5 mm ²	2,5		
44428220	EPIC® SOLAR 4 Plus PIN F 4-6 mm ²	4 - 6		
44428240	EPIC® SOLAR 4 Plus PIN F 10 mm ²	10		

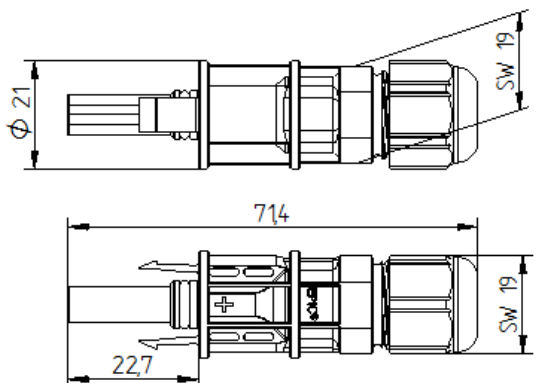
Creator: JOKR1/PDP Released: IVSE1/PDP	Document: DB44428236EN Version: 02	Page 1 of 2
---	---------------------------------------	-------------

44428236	DATA SHEET	
Valid from: 07.12.2022	EPIC® SOLAR 4 PLUS FEMALE CONNECTOR	

Technical Drawings



44428240	Female Contact 10 mm ²	5,6	7,9
44428220	Female Contact, 4-6 mm ²	4,8	5,9
44428218	Female Contact, 2,5 mm ²	3,2	4,3
Mat. No.	Designation	A	B





Bauart geprüft
Sicherheit
Regelmäßige
Produktions-
überwachung

www.tuv.com
ID 1111260553



Solar Energy



UV-resistant



Waterproof

Info

4 mm connector system with double hook
Field-mountable solar connector

Application range

Photovoltaic plants
Crystalline and thin-film constructions
Solartracker

Product features

TÜV Rheinland certified
Inclusive contacts

Remark

Photographs are not to scale and do not represent detailed images of the respective products.

Creator: JOKR1/PDP Released: IVSE1/PDP	Document: DB44428236EN Version: 02	Page 2 of 2
---	---------------------------------------	-------------