


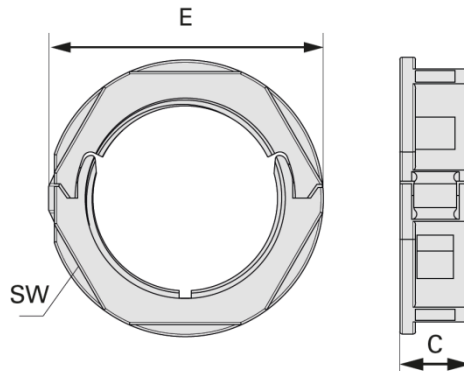
61806686	<b>DATA SHEET</b>	
Valid from: 03.07.2018	<b>SILVYN® SPLIT GMP-M LOCKNUT</b>	

Our straight divisible metric locknut SILVYN® SPLIT GMP-M locknut is made of polyamide 6, properly suits with the divisible conduit gland SILVYN® SPLIT COV-M.



- Material:** Polyamide 6
- Features:** Free of halogen and cadmium  
Fire classification: V2 acc. to UL94  
Glow wire test: 850°C acc. to DIN EN 60695-2-10  
Oxygen index: >28 acc. to DIN EN ISO 4589-2
- Colour:** Black
- Temperature range:** -45°C up to +120°C

**Norm Reference:** 



**Dimension table:**

Part No.	Nominal size NW	Thread M	Length C mm	Diameter E mm	Wrench size SW mm
6180 6686	10	M16x1,5	8,0	21,0	19
6180 6687	14	M20x1,5	8,0	29,0	27
6180 6688	20	M25x1,5	9,0	35,0	32
6180 6689	23	M32x1,5	12,0	44,0	40
6180 6691	37	M40x1,5	15,0	53,0	48
6180 6692	45	M50x1,5	15,0	69,0	64

**Suitable accessories:** SILVYN® SPLIT COV-M  
SILVYN® SPLIT

For more information please see our current catalogue. Please do not hesitate to contact our laboratory if there are any questions regarding resistance against aggressive agents and special oil.