

51730060	DATA SHEET	
Valid from: 03.07.2018	SKINDICHT® KUS	

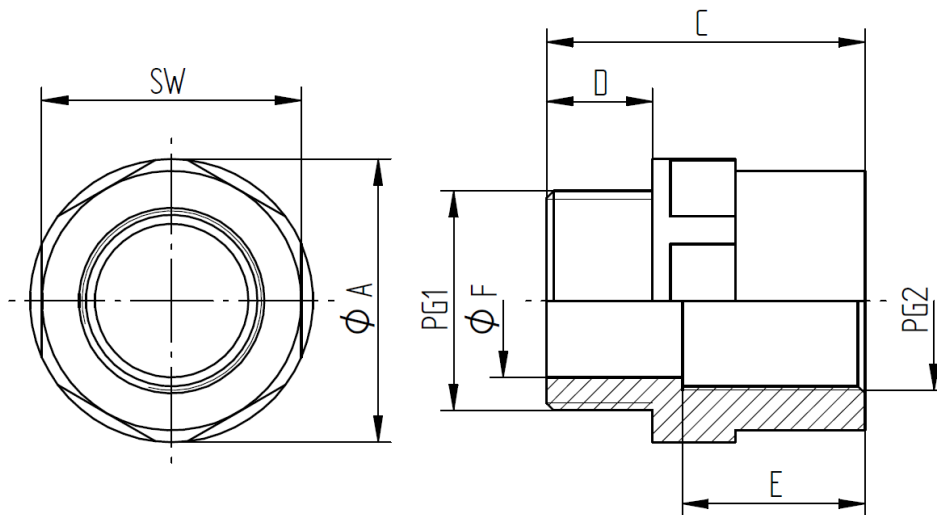
The SKINDICHT® KUS is a reduction with PG-threads, outer hexagon and flat design.

Technical features:

Material Polyamide, glass-fibre reinforced
 Temperature range -40 °C up to +100 °C
 Color RAL 7035 light-grey



Norm references:



External thread PG1	Internal thread PG2	SW [mm]	Ø A [mm]	C [mm]	D [mm]	E [mm]	Ø F [mm]	Article No.
PG 9	PG 7	20	22	27	9	15,5	10	52025040
PG 11	PG 9	22	24	27	9	15,5	13	51730060
PG 13,5	PG 11	24	27	28	10	15,5	14	51730070
PG 16	PG 13,5	27	29	28	10	15,5	17	51730080

For more information please see our current catalogue. Please do not hesitate to contact our laboratory if there are any questions regarding resistance against aggressive agents and special oil.

Creator: T. Dvoutely /PDP Released: DAMU1/PDP	Document: DB51730060EN Version: 01	Page 1 of 1
--	---------------------------------------	-------------