

52104200	DATA SHEET	
Valid from: 14.04.2023	SKINDICHT® MA-M/PG	

The SKINDICHT® MA-M/PG is a flange reducer from a metric outer thread to an inner PG thread.



Components

Brass

brass lead-free

Material

brass, nickel-plated

brass lead-free, nickel-plated

Technical features:

External thread

M16x1.5 up to M63x1.5 acc.to EN 60423

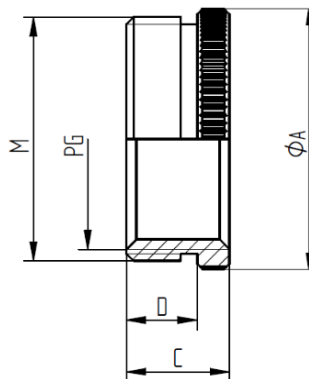
Internal thread

PG7 up to PG42 acc. to DIN 40430

Temperature range

-60°C up to +200°C

Norm references:



External thread M	Internal thread PG	Diameter Ø A mm	Length C mm	Thread Length D mm	Article No. brass	Article No. Brass lead-free
M16x1,5	PG 7	18	7,5	5	52104200	52104200LF
M20x1,5	PG 9	22	9	6	52104210	52104210LF
M25x1,5	PG 11	27	10	7	52104220	52104220LF
M25x1,5	PG 13,5	27	10	7	52104230	52104230LF
M25x1,5	PG 16	27	10	7	52104240	52104240LF
M32x1,5	PG 16	34	11	8	52104250	52104250LF
M32x1,5	PG 21	34	11	8	52104260	52104260LF
M40x1,5	PG 21	43	11,5	8	52104270	52104270LF
M50x1,5	PG 29	53	12,5	9	52104280	-
M63x1,5	PG 36	66	14	10	52104290	-
M63x1,5	PG 42	66	14	10	52104300	-

For more information please see our current catalogue. Please do not hesitate to contact our laboratory if there are any questions regarding resistance against aggressive agents and special oil.

Creator: M. Wegerer /PDP Released: DAMU1/PDP	Document: DB52104200EN Version: 05	Page 1 of 1
---	---------------------------------------	-------------