

52107320	DATA SHEET	
Valid from: 03.07.2018	SKINDICHT® SVF-M	

The SKINDICHT® SVF-M, a flat cable gland made of brass with hexagonal body. The special feature of this flat cable gland is the design of the sealing lips. The lateral sealing lips fit automatically around various cable dimensions, so that flat cables of different outer dimensions can be sealed with only one seal for each PG-size. With suitable matching it is even possible to fit two flat cables with one gland.

Advice:

For suitable flat cables see ÖLFLEX® LIFT F for indoor applications or ÖLFLEX® CRANE F for outdoor applications.



Components:

Gland body	Brass, nickel-plated
Pressure screw	Brass, nickel-plated
Flat cable sealing	CR
Pressure washers	Steel, zinc-plated

Technical Features:

Connecting thread	M20x1,5 up to M63x1,5 acc. to EN 60423
Functional thread	PG16 up to PG48 acc. to DIN 40430
Protection class	IP54 in accordance to EN 60529
Temperature range	-20 °C up to +100 °C

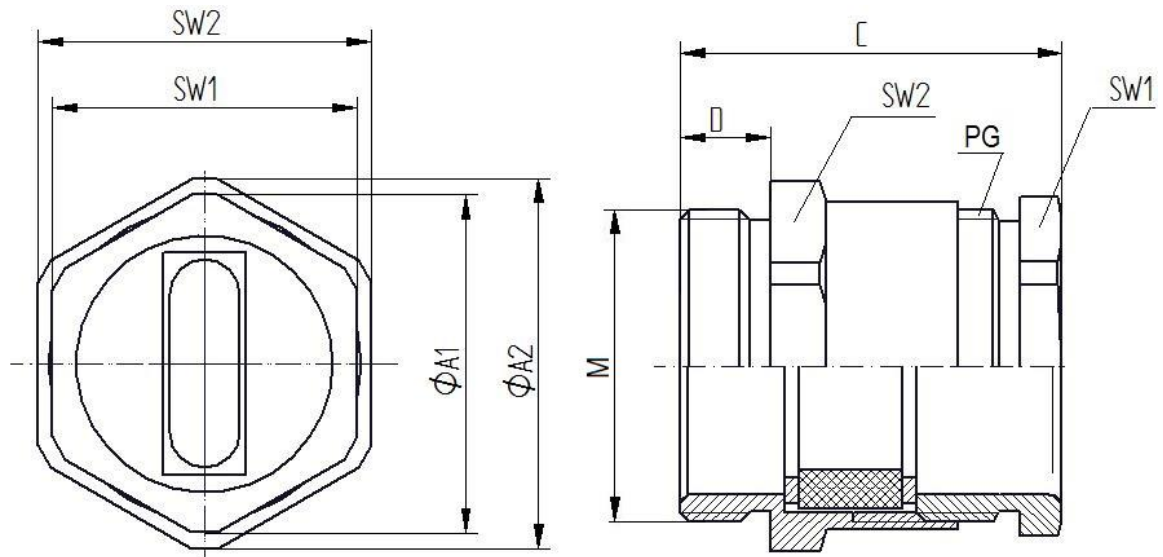
Norm references:



Note:

Counter nut to be used: SKINDICHT® SM-M

Creator: T. Dvoulety /PDP Released: DAMU1/PDP	Document: DB52107320EN Version: 03	Page 1 of 2
--	---------------------------------------	-------------



M Connecting thread	PG Functional thread	SW1 [mm]	SW2 [mm]	Ø A1 [mm]	Ø A2 [mm]	C [mm]	D [mm]	Cable width [mm]	Cable thickness [mm]	Article No.
M20x1,5	PG16	22	24	24,4	26,2	27,0	6	0 - 15	0 - 5	52107320
M25x1,5	PG21	28	30	31,2	33,0	30,5	7	9 - 20	3 - 8	52107340
M32x1,5	PG29	37	40	41,0	42,5	32,0	8	14 - 27	4 - 11,5	52107350
M40x1,5	PG36	47	50	50,5	54,0	35,0	8	24 - 34	4 - 11,5	52107360
M50x1,5	PG42	54	57	59,0	60,0	40,0	9	29 - 44	5 - 12	52107370
M63x1,5	PG48	60	66	65,0	70,0	42,0	10	34 - 50	5 - 12	52107380

For more information please see our current catalogue. Please do not hesitate to contact our laboratory if there are any questions regarding resistance against aggressive agents and special oil.