

EPIC® SENSORS T-106 / W-106

Temperature sensor for food industry

Features

- temperature range *) -200...+300 °C
- sharp tip
- handle
- Pt 100 resistance thermometer as sensing element
- Pt 100 accuracy class A as standard delivery
- AISI 316L as standard delivery material, other materials on request
- tailored solutions according to customer specific needs
- 3D step models available on request.

Typical applications

- food industry
- chemical industry.



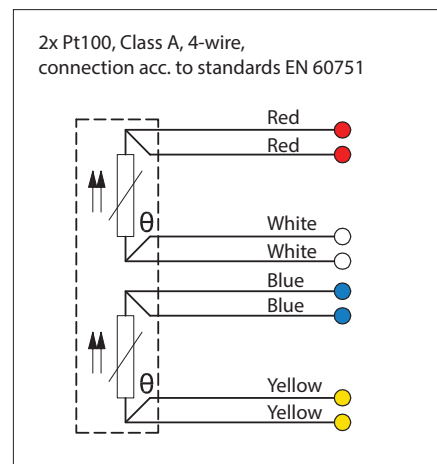
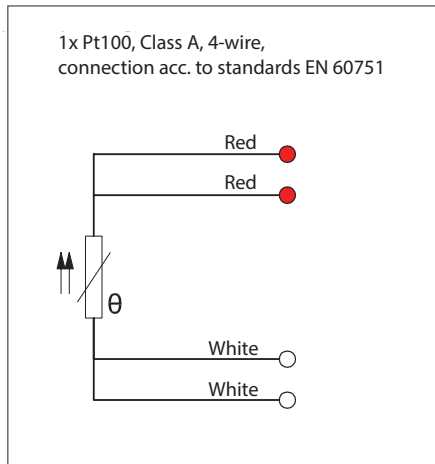
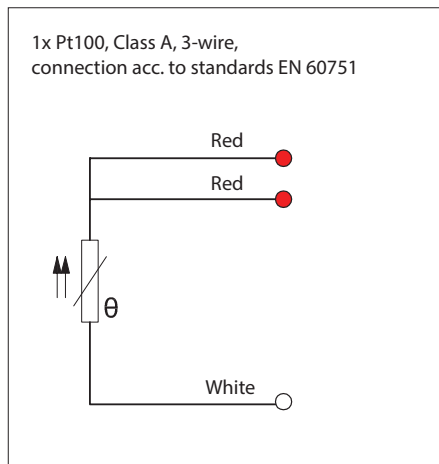
Technical data

*) Materials	AISI 316L, maximum temperature +250 °C, temporarily +300 °C, other materials on request (Note: plastic covered handle max. temperature +110 °C)
Tip diameter	3, 4 or 6 mm, other diameters and tip shapes on request
Handle material	Plastics as standard delivery material, maximum temperature + 110 °C Available also in acid proof stainless steel
Cable material	SIL = silicone, max. +180 °C FEP = fluoropolymer, max. +205 °C GGD = glass silk cable/metal braid jacket, max. +350 °C FDF = FEP wire insulation/braid shield/FEP jacket, max. +205 °C SDS = silicone wire insulation/braid shield/silicone jacket, only available as 2 wire cable, max. +180 °C TDT = fluoropolymer wire insulation/braid shield/fluoropolymer jacket, max. +205 °C FDS = FEP wire insulation/braid shield/silicone jacket, max. +180 °C FS = FEP wire insulation/silicone jacket, max. +180 °C
Tolerances Pt 100 (IEC 60751)	AA tolerance $\pm 0.1 + 0.0017 \times t$, operating temperature -50...+250 °C A tolerance $\pm 0.15 + 0.002 \times t$, operating temperature -100...+450 °C B tolerance $\pm 0.3 + 0.005 \times t$, operating temperature -196...+600 °C B 1/3 DIN, 0.1 °C +0.5%, B1/10 DIN 0.03 °C +0.5%, operating temperature -196...+250 °C
Tolerances thermocouple (IEC 60584)	Type J tolerance class 1 = -40...375 °C ± 1.5 °C, 375...750 °C $\pm 0.004 \times t$ Type K and N tolerance class 1 = -40...375 °C ± 1.5 °C, 375...1000 °C $\pm 0.004 \times t$
*) Temperature range Pt 100	-200...+300 °C, depending on material
*) Temperature range thermocouple	-200...+300 °C, depending on thermocouple type and material
Quality certificate	ISO 9001:2015, ISO 14001:2015 and ISO 45001:2018 issued by DNV

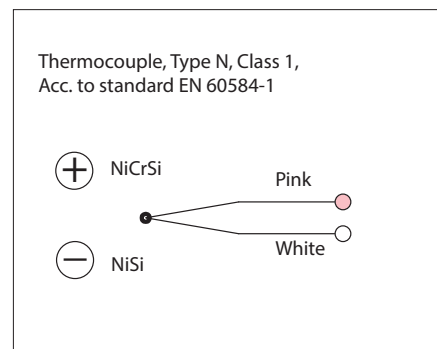
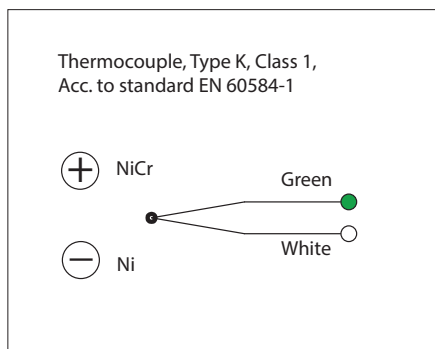
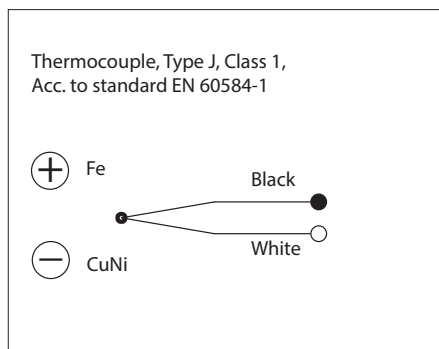
EPIC® SENSORS T-106 / W-106

Temperature sensor for food industry

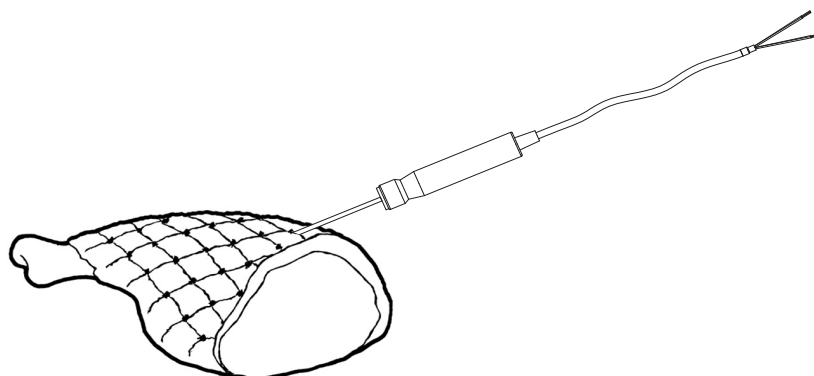
Pt100 connections



Thermoelement connections



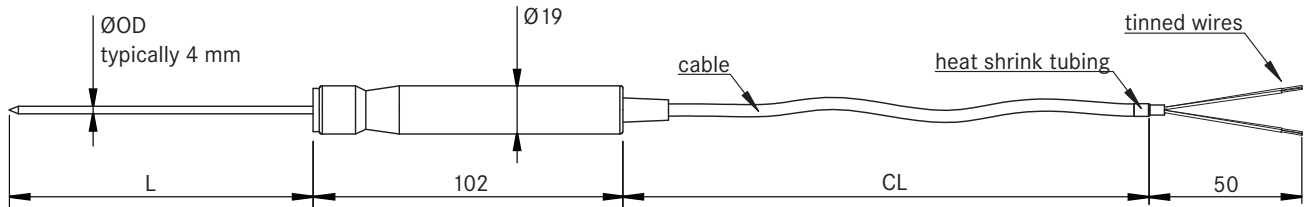
Installation examples



EPIC® SENSORS T-106 / W-106

Temperature sensor for food industry

Drawing



Product code key

Example code: W – 106 – 4 / 100 – 5000 / SIL – 4 – A – X

W	= Pt100 resistance thermometer
2xW	= 2 x Pt100 resistance thermometer
T	= thermocouple
2xT	= 2 x thermocouple
106	= sensor for food industry (constant in code)
3, 4, 6	= outer diameter of sensor element ($\varnothing OD$) [mm]
100	= sensor element length, L [mm]
5000	= cable length, CL [mm]
SIL, FEP, GGD, FDF, TDT, SDS, FDS, FS	= cable material (for more information, look technical data on first page of the datasheet)
4,3,2	= Pt100 wire count
K,N,J	= thermocouple type
A,B	= Pt100 accuracy class, (class A as standard delivery)
1,2,3	= thermocouple accuracy class, (class 1 as standard delivery)
X	= additional details on the text line

