

EPIC® SENSORS T-SCREW / W-SCREW

Threaded temperature sensor with cable

Features

- temperature range -200...+300 °C
- Pt100 or thermocouple as sensing element
- AISI 316L as standard delivery material, other materials on request
- Pt100 accuracy class A as standard delivery
- thermocouple accuracy class 1 as standard delivery
- tailored solutions according to customer specific needs
- ATEX and IECEx compatible Ex i versions available
- 3D step models available on request.

Typical applications

- energy and power plant technology
- process industry
- chemical industry
- machinery and vessel construction
- manufacturing industry.



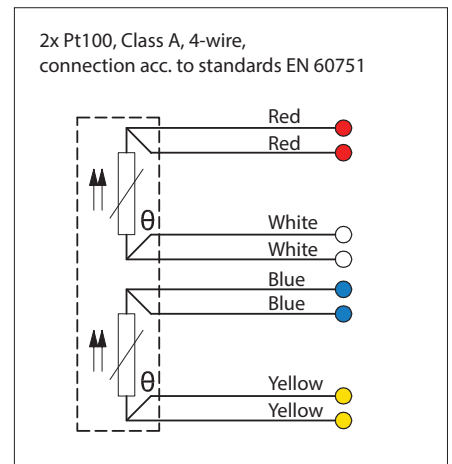
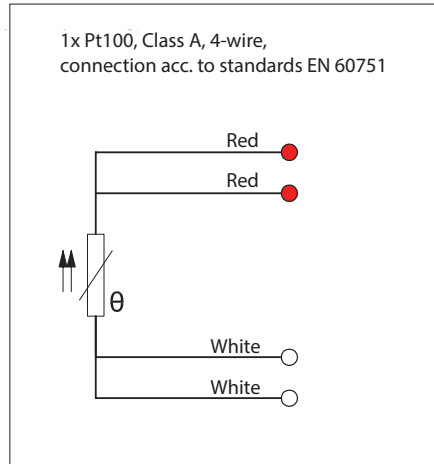
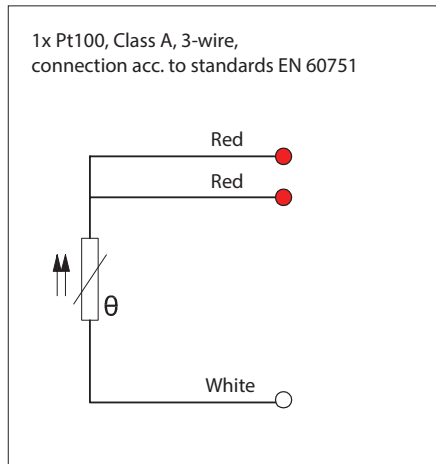
Technical data

Materials	AISI 316L, maximum temperature +250 °C, temporarily +300 °C, other materials on request (Note: overall max. temperature according to the cable)
Diameter	3, 4, 5, 6 or 8 mm, other diameters on request
Thread size and length	According to request, all sizes and lengths available Note: minor diameter of thread cannot be < element diameter
Cable material	SIL = silicone, max. +180 °C FEP = fluoropolymer, max. +205 °C GGD = glass silk cable/metal braid jacket, max. +350 °C FDF = FEP wire insulation/braid shield/FEP jacket, max. +205 °C SDS = silicone wire insulation/braid shield/silicone jacket, only available as 2 wire cable, max. +180 °C TDT = fluoropolymer wire insulation/braid shield/fluoropolymer jacket, max. +205 °C FDS = FEP wire insulation/braid shield/silicone jacket, max. +180 °C FS = FEP wire insulation/silicone jacket, max. +180 °C
Tolerances Pt100 (IEC 60751)	A tolerance $\pm 0.15 + 0.002 \times t$, operating temperature -100...+450 °C B tolerance $\pm 0.3 + 0.005 \times t$, operating temperature -196...+600 °C B 1/3 DIN, tolerance $\pm 1/3 \times (0.3 + 0.005 \times t)$, operating temperature -196...+600 °C B 1/10 DIN, tolerance $\pm 1/10 \times (0.3 + 0.005 \times t)$, operating temperature -196...+600 °C
Tolerances thermocouple (IEC 60584)	Type J tolerance class 1 = -40...375 °C ± 1.5 °C, 375...750 °C $\pm 0.004 \times t$ Type K and N tolerance class 1 = -40...375 °C ± 1.5 °C, 375...1000 °C $\pm 0.004 \times t$
Temperature range Pt100	-200...+300 °C, depending on material
Temperature range thermocouple	-200...+300 °C, depending on thermocouple type and material
Approvals	ATEX, IECEx, METROLOGICAL PATTERN APPROVAL
Quality certificate	ISO 9001:2015 and ISO 14001:2015 issued by DNV

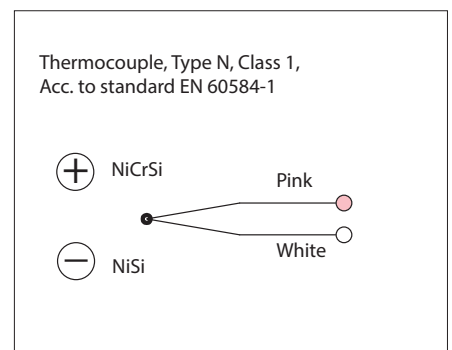
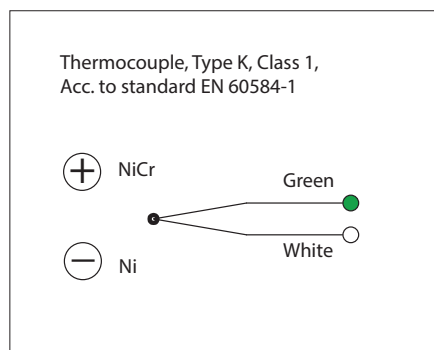
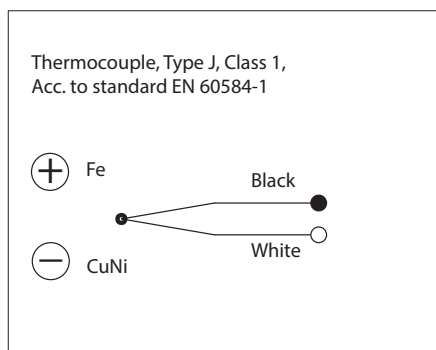
EPIC® SENSORS T-SCREW / W-SCREW

Threaded temperature sensor with cable

Pt100 connections



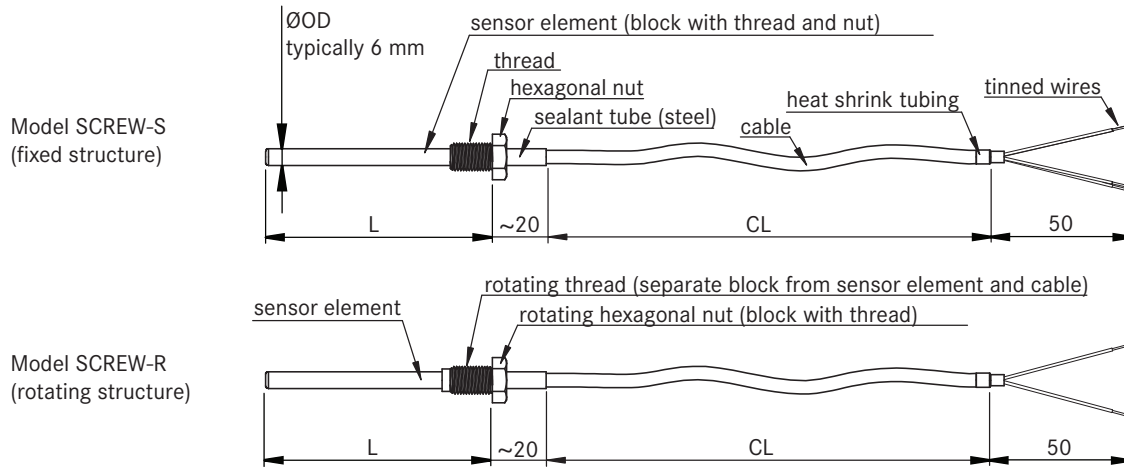
Thermoelement connections



EPIC® SENSORS T-SCREW / W-SCREW

Threaded temperature sensor with cable

Drawing



Product code key

Example code: W — SCREW — R — M8x1 / 10 — 6 — 100 — 5000 / SIL — 4 — A — X

W	= Pt100 resistance thermometer
2xW	= 2 x Pt100 resistance thermometer
T	= thermocouple
2xT	= 2 x thermocouple
SCREW	= sensor with thread (constant in code)
S	= solid structure
R	= rotating structure (easy to assemble, note: does not obstruct gas or liquid flow)
M8x1	= thread size (all available)
10	= thread length [mm]
3, 4, 5, 6, 8	= outer diameter of sensor element ($\varnothing OD$) [mm]
100	= immersion length, L [mm]
5000	= cable length, CL [mm]
SIL, FEP, GGD, FDF, TDT, SDS, FDS, FS	= cable material (for more information, look technical data on first page of the datasheet)
4,3,2	= Pt100 wire count
K,N,J	= thermocouple type
A,B	= Pt100 accuracy class, (class A as standard delivery)
1,2,3	= thermocouple accuracy class, (class 1 as standard delivery)
EXI	= Ex i certified sensor
X	= additional details on the text line

