

EPIC® SENSORS T-SIL-PATCH/W-SIL-PATCH or 2xT-SIL-PATCH/2xW-SIL-PATCH

Silicone patch sensor

Features

- temperature range -40...+180 °C
- Pt 100 or thermocouple as sensing element
- Pt 100 accuracy class A as standard delivery
- thermocouple accuracy class 1 as standard delivery
- EMI shielded version available
- ELASTOSIL® RT 607 A/B silicone material
- aluminum tape on measuring surface as option
- tinned fine stranded copper wires
- supplied with cable or twisted wires
- tailored solutions according to customer specific needs
- 3D step models available on request.

Typical Applications

- energy and power plant technology
- process industry
- chemical industry
- machinery and vessel construction
- manufacturing industry.



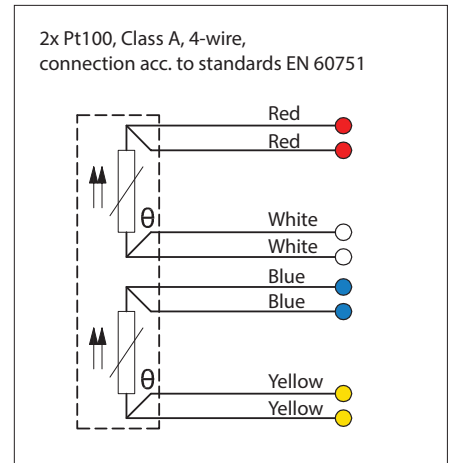
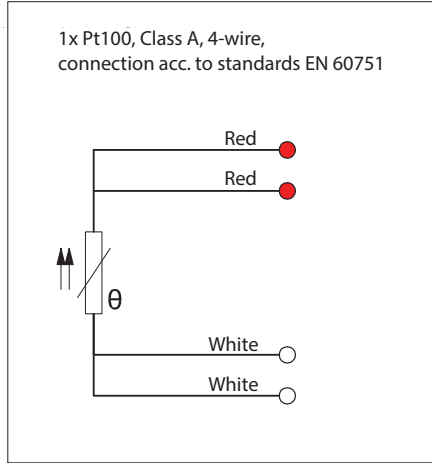
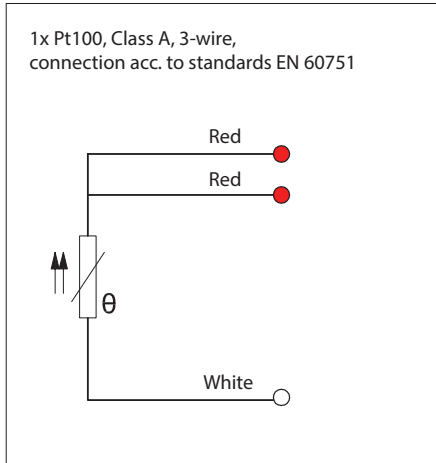
Technical data

Tolerances Pt 100 (IEC 60751)	A tolerance $\pm 0.15 + 0.002 \times t$, operating temperature -100...+450 °C B tolerance $\pm 0.3 + 0.005 \times t$, operating temperature -196...+600 °C B 1/3 DIN, tolerance $\pm 1/3 \times (0.3 + 0.005 \times t)$, operating temperature -196...+600 °C B 1/10 DIN, tolerance $\pm 1/10 \times (0.3 + 0.005 \times t)$, operating temperature -196...+600 °C
Tolerances thermocouple (IEC 60584)	Type J tolerance class 1 = -40... 375 °C $\pm 1,5$ °C, 375...750 °C $\pm 0,004 \times t$ Types K and N tolerance class 1 = -40...375 °C $\pm 1,5$ °C, 375...1000°C $\pm 0,004 \times t$
Cable materials	SIL = silicone, max. +180 °C FEP = fluoropolymer, max. +205 °C GGD = glass silk cable/metal braid jacket, max. +350 °C FDF = FEP wire insulation/braid shield/FEP jacket, max. +205 °C SDS = silicone wire insulation/braid shield/silicone jacket, only available as 2 wire cable, max. +180 °C TDT = fluoropolymer wire insulation/braid shield/fluoropolymer jacket, max. +205 °C FDS = FEP wire insulation/braid shield/silicone jacket, max. +180 °C FS = FEP wire insulation/silicone jacket, max. +180 °C CON = no cable, individual single wires, FEP wire insulation, max. +205 °C
Wire materials	2 wires = FEP insulated twisted wires 2x0,22/+205°C 3 wires = FEP insulated twisted wires 3x0,22/+205°C 4 wires = FEP insulated twisted wires 4x0,22/+205°C
Temperature range	-40...+180 °C (Note: range is for silicone sensor head, cable range according to selection)
Approvals	METROLOGICAL PATTERN APPROVAL
Quality certificate	ISO 9001:2015 and ISO 14001:2015 issued by DNV
IP rating	IP65, higher IP rating on request

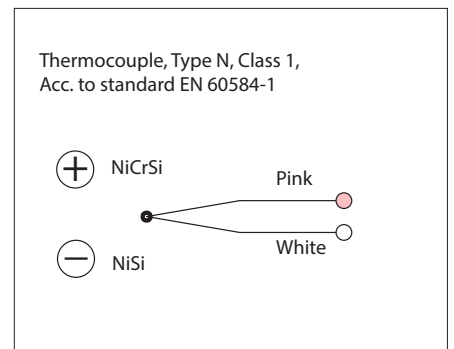
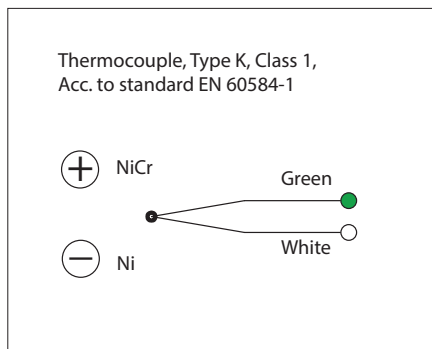
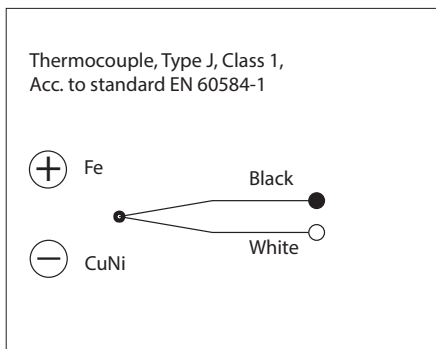
EPIC® SENSORS T-SIL-PATCH/W-SIL-PATCH or 2xT-SIL-PATCH/2xW-SIL-PATCH

Silicone patch sensor

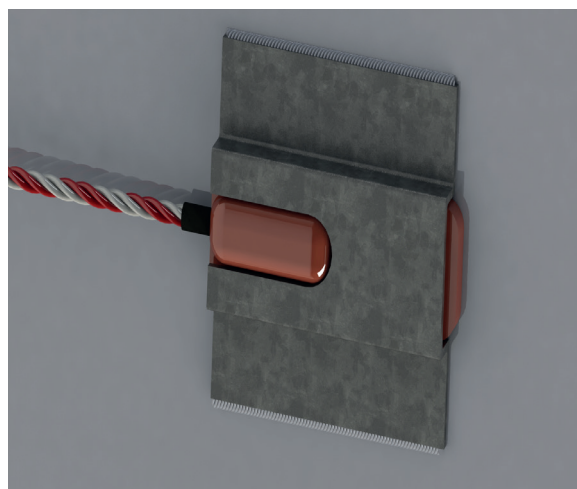
Pt-100 connections



Thermoelement connections



Installation examples

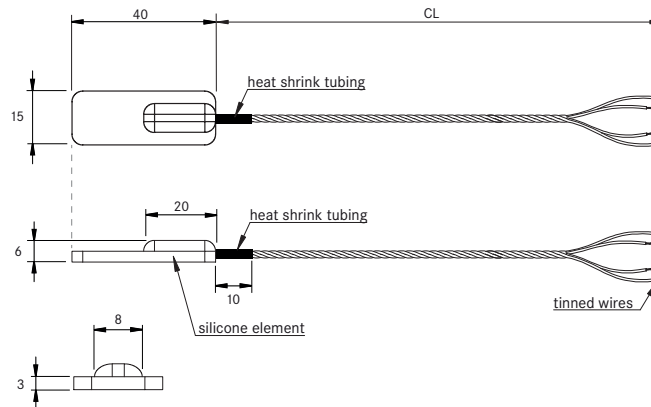


EPIC® SENSORS T-SIL-PATCH/W-SIL-PATCH or 2xT-SIL-PATCH/2xW-SIL-PATCH

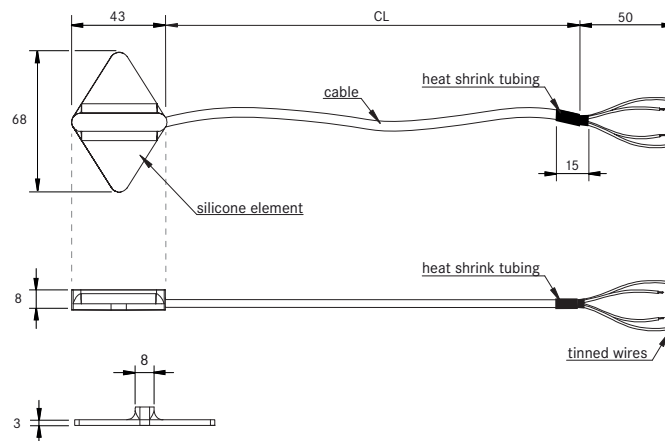
Silicone patch sensor

Drawing

Model 40x15x3



Model 68x43x8



Product code key

Example code: W – SIL – PATCH – 40X15X3 – 5000 / SIL – 4 – A – Y – X

W	= Pt100 resistance thermometer
2xW	= 2 x Pt100 resistance thermometer
T	= thermocouple
2xT	= 2 x thermocouple
SIL-PATCH	= silicone patch sensor (constant in code)
40X15X3	
68X43X8	= silicone element size [mm]
5000	= cable or wiring length, CL [mm]
CON, SIL, FEP, GGD, FDF, TDT, SDS, FDS, FS	= cable material (for more information, look technical data on first page of the datasheet)
4,3,2	= Pt100 wire count
K,N,J	= thermocouple type
A,B	= Pt100 accuracy class, (class A as standard delivery)
1,2,3	= thermocouple accuracy class, (class 1 as standard delivery)
Y	= with aluminum foil on installation surface
N	= no aluminum foil
X	= additional details on the text line

