

EPIC® SENSORS W-K-F / W-M-F
Indoor/outdoor resistance temperature sensor

Features

- temperature range -40...+80 °C
- Pt 100 as sensing element
- Pt 100 accuracy class A as standard delivery
- fast response time
- can be supplied with mA transmitter
- available with plastic or metal housing
- tailored solutions according to customer specific needs
- thermocouple versions available on request
- ATEX and IECEx compatible Ex db and Ex i versions available.
- 3D step models available on request.

Typical applications

- energy and power plant technology
- process industry
- chemical industry
- machinery and vessel construction
- manufacturing industry.

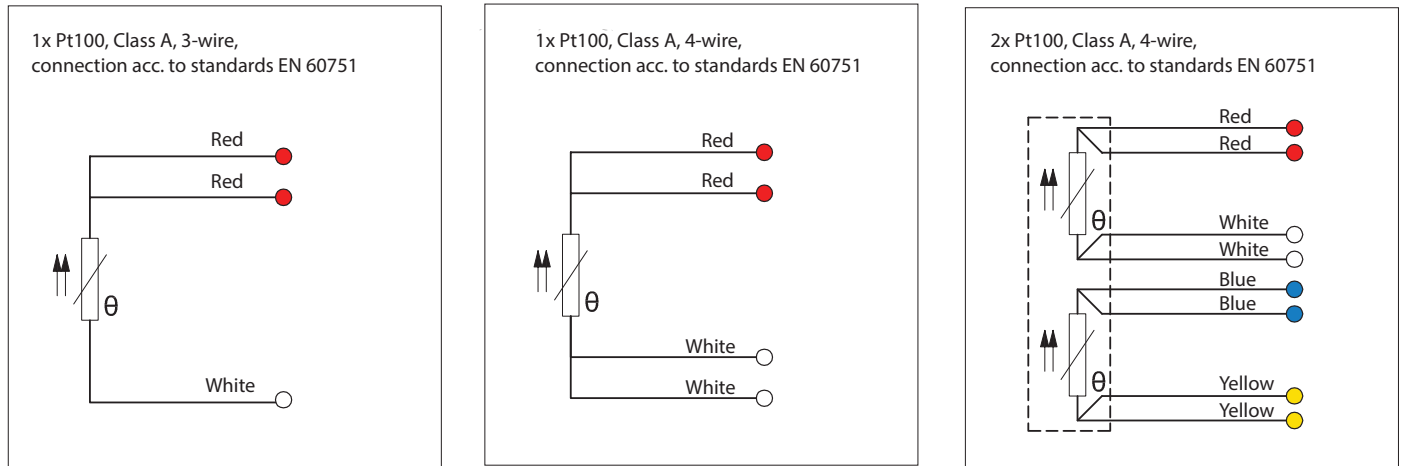


Technical data

Enclosure	Plastic enclosure dimensions 120x80x58 mm (W x H x D), Metal enclosure dimensions 80x75x58 mm (W x H x D) Other enclosures on request
Tolerances Pt 100 (IEC 60751)	A tolerance $\pm 0.15 + 0.002 \times t$, operating temperature -100...+450 °C B tolerance $\pm 0.3 + 0.005 \times t$, operating temperature -196...+600 °C B 1/3 DIN, tolerance $\pm 1/3 \times (0.3 + 0.005 \times t)$, operating temperature -196...+600 °C B 1/10 DIN, tolerance $\pm 1/10 \times (0.3 + 0.005 \times t)$, operating temperature -196...+600 °C
Temperature range Pt 100	-40...+80 °C, other measurement ranges on request
Approvals	ATEX, IECEx, EAC Ex, EAC EMC, METROLOGICAL PATTERN APPROVAL
Quality certificate	ISO 9001:2015 and ISO 14001:2015 issued by DNV
IP rating	IP65, higher IP rating on request

EPIC® SENSORS W-K-F / W-M-F
Indoor/outdoor resistance temperature sensor

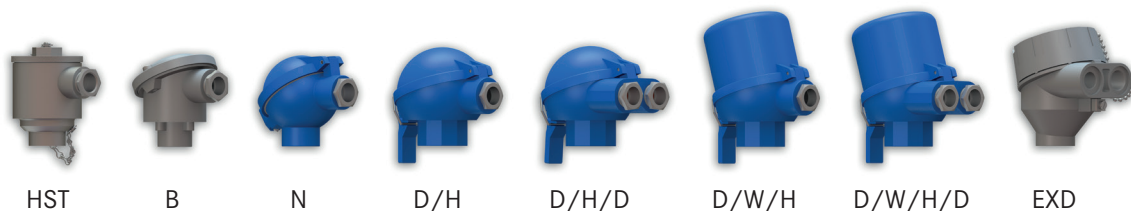
Pt100 connections



Installation examples



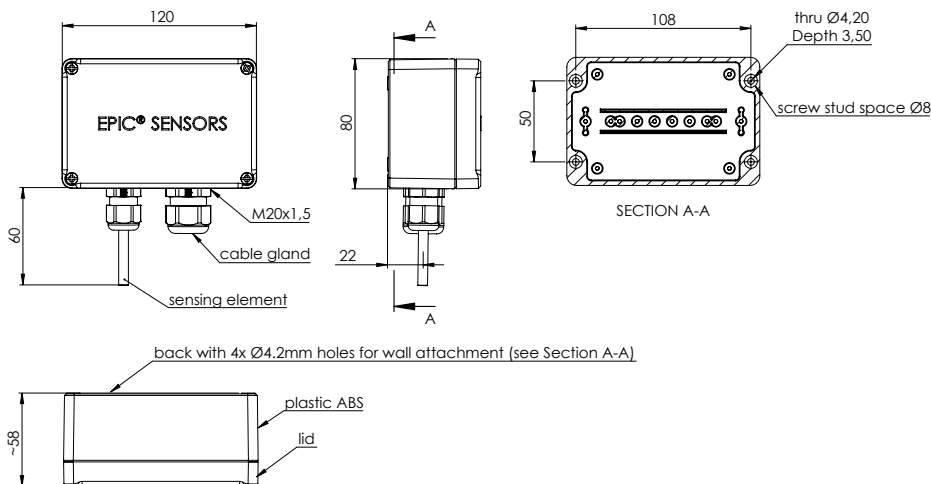
Connection heads



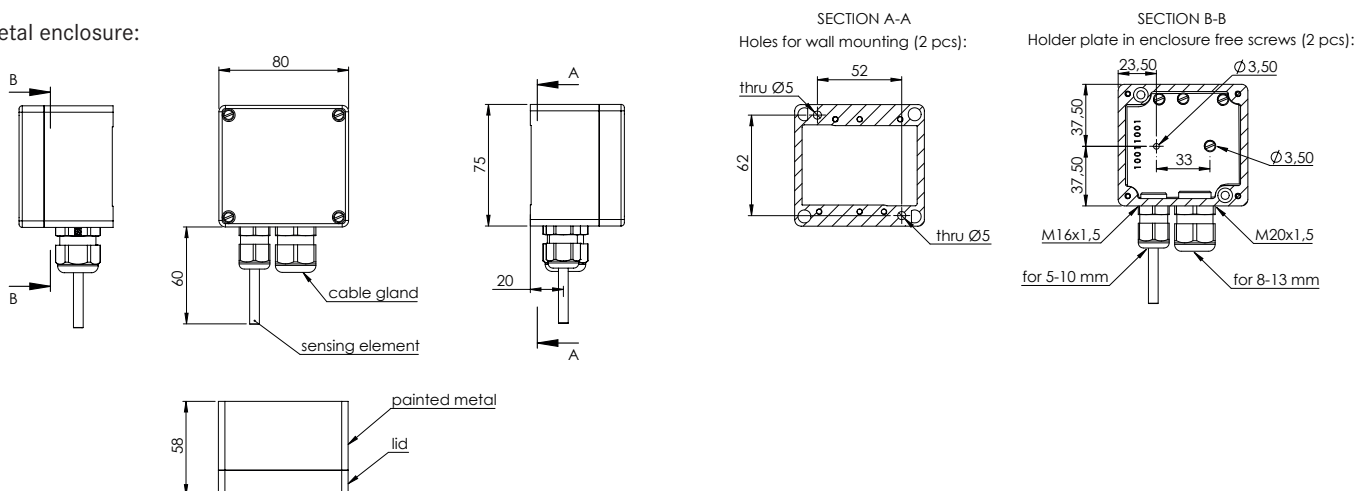
EPIC® SENSORS W-K-F / W-M-F
Indoor/outdoor resistance temperature sensor

Drawing

Plastic enclosure:



Metal enclosure:



Product code key

Example code: **W — K — F — 4 — A — TR — X**

- W = Pt100 resistance thermometer
- 2xW = 2 x Pt100 resistance thermometer
- K = plastic enclosure
- M = metallic enclosure
- F = sensor type (constant in code)
- 4,3,2 = Pt100 wire count
- A, B = Pt100 accuracy class (class A as standard delivery)
- TR = wires for transmitter connection
- CB = with connection terminal block
- EXI = Ex i certified sensor type, only with metallic enclosure
- X = additional details on text line

Ex d -versions: contact our sales.