

EPIC® SENSORS

Flanged thermowells

Features

- according to DIN 43772 form 2F
- fitted to application with bolts, no welding required
- allows the replacement of thermowell during process maintenance
- flanged thermowell with connection head typically houses the mineral insulated element for temperature sensing, this allows on the fly replacement of temperature sensor
- flanged thermowell with female thread and no connection head is typically used with threaded temperature sensor
- ATEX compatible Ex db version available
- special coatings available to increase wear and heat resistance
- 3D step models available on request.

Typical applications

- energy and power plant technology
- process industry
- chemical industry
- machinery and vessel construction
- manufacturing industry.



Technical data

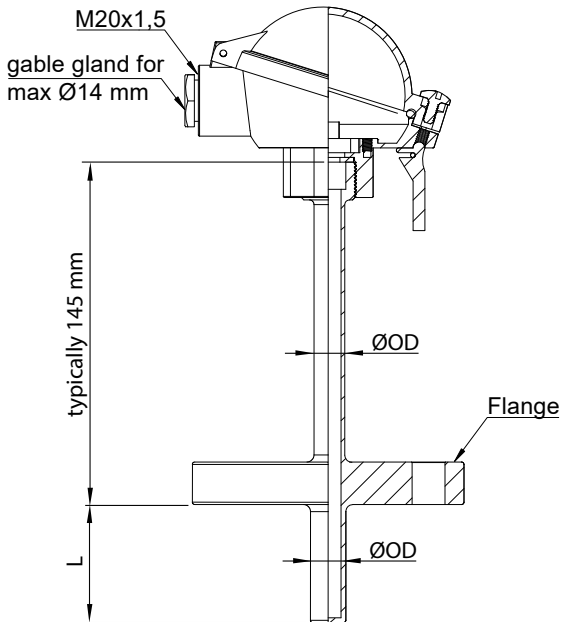
Materials	13CrMo44 / EN1.7335, max. temperature +550 °C, 10CrMo910 / EN1.7380, max. temperature +580 °C, 16Mo3 / EN1.5415, max. temperature +480 °C, AISI 316L / EN1.4404, max. temperature +600 °C Other materials available on request
Flange	Flat face DIN EN 1092 -1, type 05A, Other flange types available on request
Thread	G, R, metric and NPT, Other threads on request
Diameter	Ø11 mm, Ø15 mm or Ø22 mm, Other diameters available on request
Approvals	ATEX, IECEx
Quality certificate	ISO 9001:2015 and ISO 14001:2015 issued by DNV
IP rating	IP65, higher IP rating on request
Special coatings	FEP - known as a fluoropolymer, good for low temperature, exhaust gases and various acids, resistant to sunlight PFA - very similar to FEP, slightly better thermal stability and higher temperature resistance than FEP METCO - hardmetal coating especially for applications where sensors are exposed to grinding like crude oil pipes (sand/stones), rock wool blasting, etc. HALAR - for anticorrosion applications DIAMALLOY - corrosion protection with hard surface Other coating materials available on request

EPIC® SENSORS

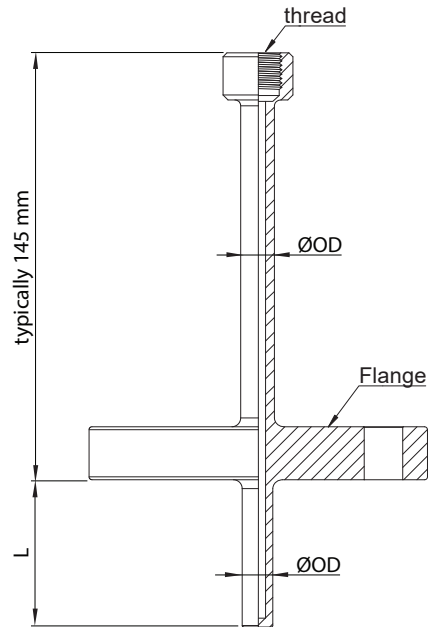
Flanged thermowells

Drawing

Flanged thermowell with connection head:



Flanged thermowell without connection head:



Product code key

Example code: F — 15 — D/H — 1000 — DN25/PN40 — X

