

EPIC® SENSORS

Threaded thermowells without cooling neck

Features

- according to DIN 43772 form 2
- fitted to application with thread, no welding required
- compact size allows installation in tight places
- ideal for low temperatures
- used to house mineral insulated temperature sensor element
- allows easy replacement of sensor element, without interrupting the process
- gable gland for max Ø14 mm cable
- ATEX compatible Ex db version available
- 3D step models available on request.

Typical applications

- energy and power plant technology
- process industry
- chemical industry
- machinery and vessel construction
- manufacturing industry.



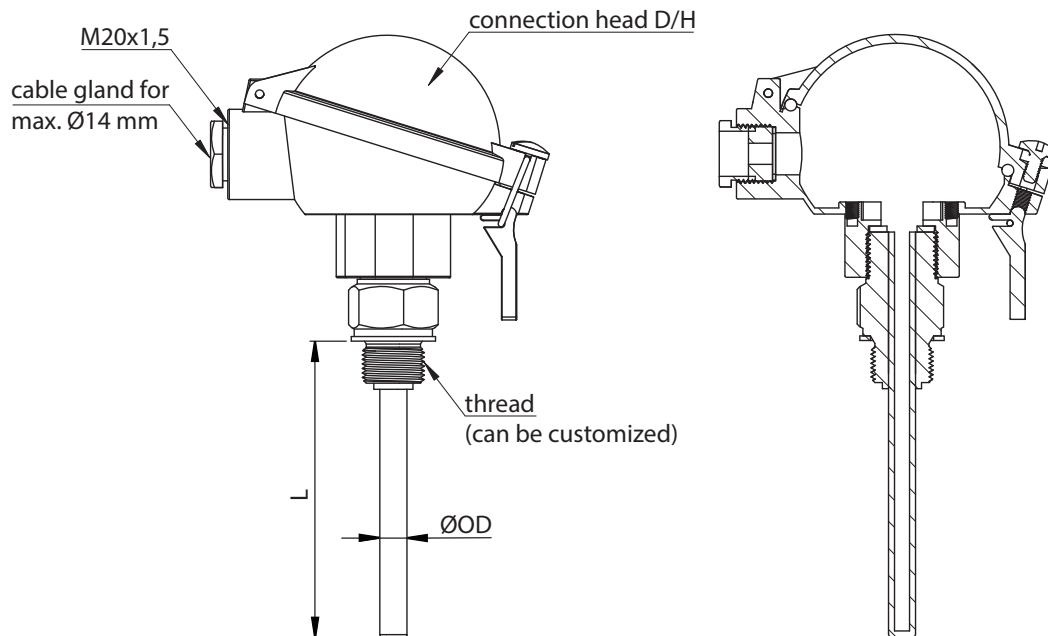
Technical data

Material	AISI 316L / EN1.4404, maximum temperature +250 °C, temporarily +300 °C, Other materials on request
Thread	G, R, metric and NPT, Other threads on request
Diameter	Ø6 mm, Ø9 mm or Ø11 mm, Other diameters available on request
Approvals	ATEX, IECEx, EAC Ex, EAC EMC, METROLOGICAL PATTERN APPROVAL
Quality certificate	ISO 9001:2015 and ISO 14001:2015 issued by DNV
IP rating	IP65, higher IP rating on request

EPIC® SENSORS

Threaded thermowells without cooling neck

Drawing



Product code key

Example code: B — 9K — D/H — 100 — G½" — X

B	= thread in thermowell (constant in code)	↑
6, 9, 11	= thermowell outer diameter (ØOD) [mm], other diameters on request	↑
K	= without cooling neck (constant in code)	↑
B	= connection head B	
D/H	= connection head with snap lock	
D/H/D	= connection head with snap lock and double barrel (2x cable gland)	
D/W/H	= high cover connection head with snap lock	
D/W/H/D	= high cover connection head with snap lock and double barrel (2x cable gland)	
EXD	= ATEX compatible connection head	
HST	= acid proof connection head	
N	= connection head N	
100	= length, L [mm]	↑
G½"	= thread size (all available, also NPT)	↑
X	= additional details on the text line	↑

