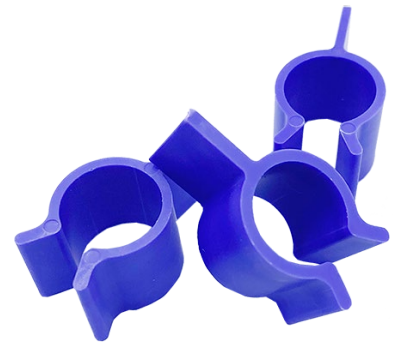


83881100	DATA SHEET	
Valid from: 29.03.2023	FLEXIMARK® THERMO SERIES - THE CLIP	

The Clip serve as overtemperature indicators for electrical assets. Using a patented Thermo-chromic technology, these easily-installed clips provide a color-changing visual indicator. It works as part of the visual component in the inspection process prior to and between infrared and ultrasound inspections. With a memory-effect feature, these non-conductive clips can also let inspectors see a permanent record of overtemperature excursions in intermittently loaded systems.



Technical data

Material:	5-10% Thermo-chromic Masterbatch. 90-95% Polypropylene, flame retardant to UL94V0 self-extinguishing rating, nonhalogenated
Initial Color Change Temperature:	53°C
Permanent Color Change Temperature:	71°C
Tolerance:	+/- 1°C
Response Time:	5 to 20 Seconds
Storage:	Store at room temperature & humidity (i.e. 16°C to 27°C & 40% to 60% RH)
Product Lifespan:	Replace overtemperature connection indicators within a maximum lifespan interval of 5 years
Dielectric Strength:	44Kv Per mm
Wire Insulation Rating:	36kVAC/600VDC

Installation:

The Clip are designed to be push fitted only onto the outer insulation of a cable, adjacent (15mm-30mm distance) to its connection terminal. The Clip should not be inserted anywhere into the current carrying path of the circuit or directly attached to bare live metal parts of the circuit.

Caution: The Clip are designed for use on electrical cables and as such installation must be assessed by a competent electrician licensed to applicable local requirements prior to their application.

Color:

Purple

Limitations:

These clips will not prevent electrical faults or fires but will aid in monitoring abnormal temperatures and will give visual indication of potential electrical faults and fire risks.

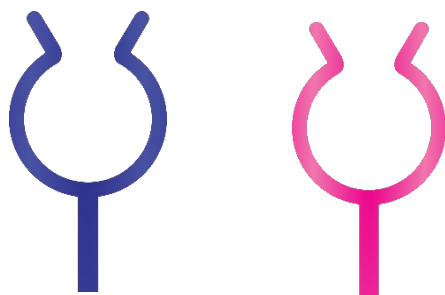
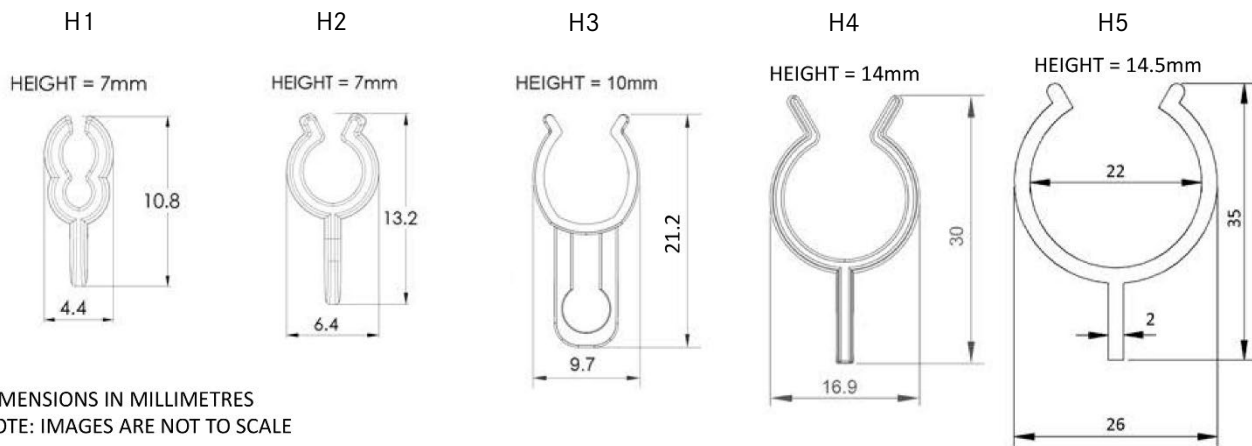
These clips do not replace the need to formally install, test, inspect and maintain electrical installations as per the Electricity at Work Act, the Electrical Installation Wiring Regulations and Manufacturer's Instructions.

Creator: Fleximark/KH Released: 110522/LR	Document: DB83881100 FLEXIMARK THERMO SERIES The Clip Version: 03	Page 1 of 2
--	---	-------------

83881100	DATA SHEET	
Valid from: 29.03.2023	FLEXIMARK® THERMO SERIES - THE CLIP	

Product data:

E-number	LAPP Article No.	Designation	Cable Ø (mm)	Wire Range	Quantity /PU
4222575	83881100	The Clip H1 70°C -50	2,3-4,2	17-12 AWG	50
4222576	83881101	The Clip H1 70°C -1000	2,3-4,2	17-12 AWG	1000
4222577	83881102	The Clip H1 70°C -5000	2,3-4,2	17-12 AWG	5000
4222578	83881103	The Clip H2 70°C -50	4.8-7.1	10-6 AWG	50
4222579	83881104	The Clip H2 70°C -500	4.8-7.1	10-6 AWG	500
4222580	83881105	The Clip H2 70°C -5000	4.8-7.1	10-6 AWG	5000
4222581	83881106	The Clip H3 70°C -25	8-13.6	4-2/0 AWG	25
4222582	83881107	The Clip H3 70°C -250	8-13.6	4-2/0 AWG	250
4222583	83881108	The Clip H3 70°C -2000	8-13.6	4-2/0 AWG	2000
4222584	83881109	The Clip H4 70°C -12	13.8-23	3/0-350 MCM	12
4222585	83881110	The Clip H4 70°C -120	13.8-23	3/0-350 MCM	120
4222586	83881111	The Clip H4 70°C -500	13.8-23	3/0-350 MCM	500
4222587	83881112	The Clip H5 70°C -6	23-31	400-750 MCM	6
4222588	83881113	The Clip H5 70°C -60	23-31	400-750 MCM	60
4222589	83881114	The Clip H5 70°C -240	23-31	400-750 MCM	240



Not activated

Activated

Note:

Pictures are not to scale and do not represent detailed images of each product.

Creator: Fleximark/KH Released: 110522/LR	Document: DB83881100 FLEXIMARK THERMO SERIES The Clip Version: 03	Page 2 of 2
--	--	-------------