

SKINTOP® CUBE FRAMES

The sturdy, glass-fibre-reinforced polyamide SKINTOP® CUBE FRAMES are available in two sizes for 16-pole or 24-pole connector installation open-

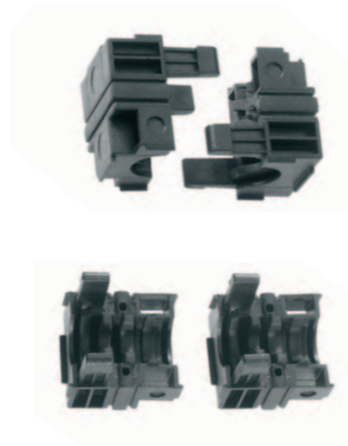
ings. This means that 8 to 10 cables of different diameters can be installed in minimal space.



FLEXIBLE POLYAMIDE CLIP MODULES

The flexible polyamide clip modules with specially developed, patented sealing system consist of two identical sections and can easily be fitted onto the cable without any special tools. Lubricants and sealants are not required either. The really outstanding feature is that the clip seal-

ing modules have a variable clamping range, with the highly flexible sealing material ensuring optimum sealing of the cable at all times. 4 flexible modules are available: 4 to 6 mm, 6 to 9 mm, 9 to 12 mm and 12 to 16 mm. Blind modules are also available.



SKINTOP® CUBE MODULES

SKINTOP® CUBE MODULES can be removed from the frame by hand just as easily as they are installed. The frame remains on the housing. The major advantage of the SKINTOP® CUBE system is that the installation engineer can attach the cubes at the

same time as assembling the cable with connectors. This saves a huge amount of time.



ÖLFLEX®

AVS Stuttgart

UNITRONIC®

ETHERLINE®

HITRONIC®

SKINTOP® CUBE

Simple. Flexible. Safe.

EPIC®

SKINTOP®

SILVYN®

FLEXIMARK®



05/13.1.000.0110479

 **LAPP GROUP**

www.lappgroup.com

To contact your local Lapp Group representative please visit www.lappgroup.com/worldwide

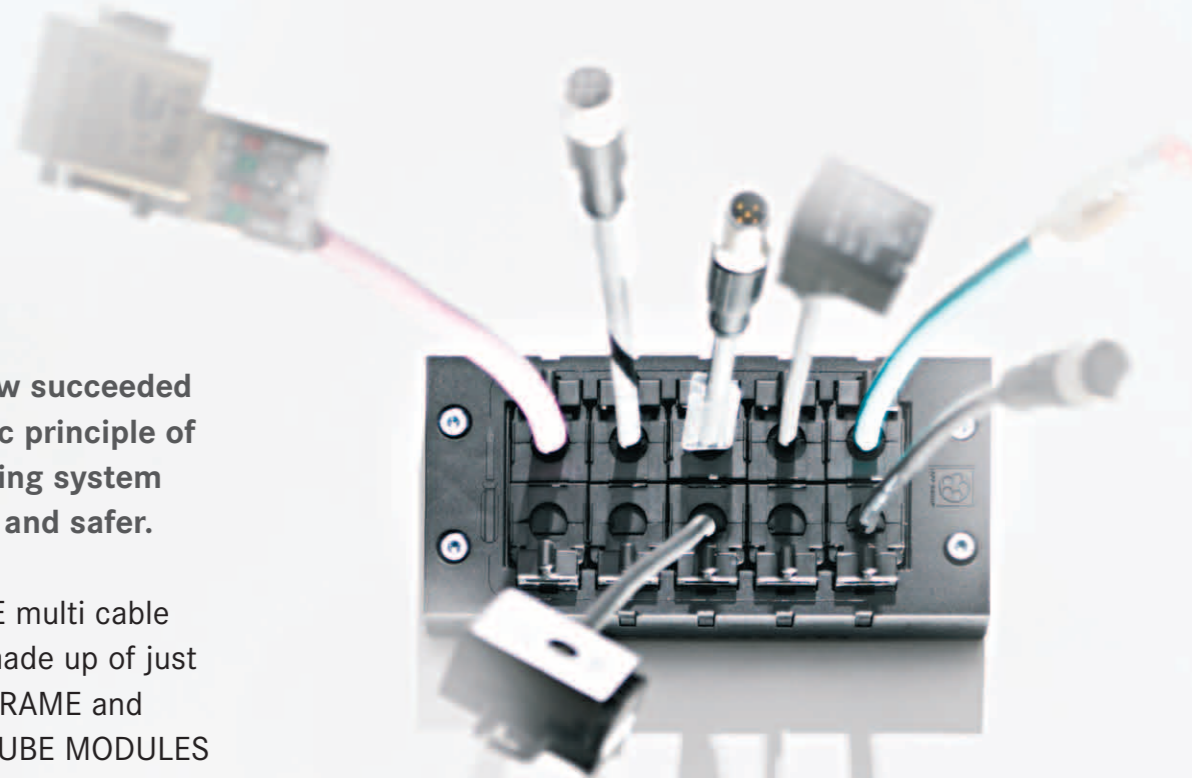
 **LAPP GROUP**

SKINTOP® CUBE –

It doesn't come any quicker and simpler than this!

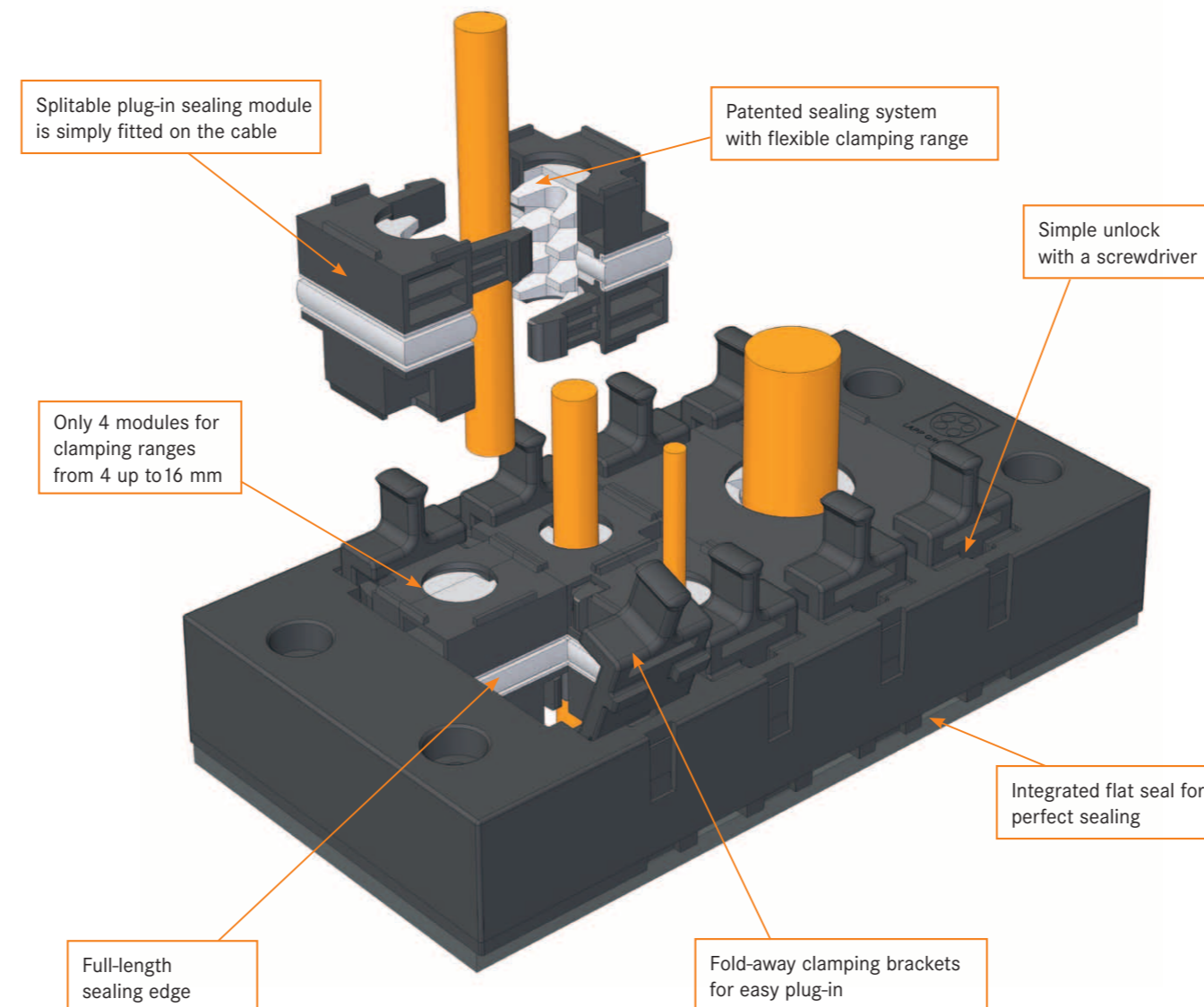
Lapp Kabel has now succeeded in making the basic principle of a multi cable bushing system even easier, faster and safer.

The SKINTOP® CUBE multi cable bushing system is made up of just a SKINTOP® CUBE FRAME and flexible SKINTOP® CUBE MODULES (clip sealing modules). These cubes can effortlessly be attached to the appropriate assembled cable. The cable is then clicked into the frame and is perfectly fixed in place, protected against vibrations, strain relieved and sealed in accordance with IP 64. It really couldn't be quicker and easier, as no additional parts are required to secure it.



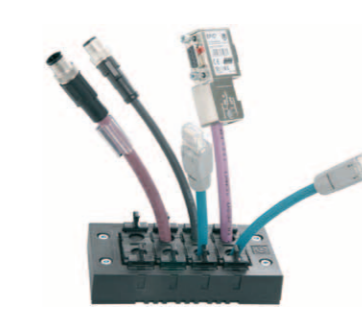
All advantages at one glance

- Large, variable clamping range
- Simplified service due to easy assembling and disassembling
- No special tools sealants and lubricants required
- Frame remains on the housing, modules can be removed with the cable
- Strain relief
- Frame can be securely attached from inside and outside
- Degree of protection IP 64
- Resistant to oil, grease, ultraviolet rays and ozone



Cable glands SKINTOP® Cable Bushing System

SKINTOP® CUBE



SKINTOP® CUBE



SKINTOP® CUBE FRAME



SKINTOP® CUBE MODULE

■ Benefits

- Large, variable clamping range
- Vibration safe fixed modules
- Strain relief
- Oil resistant
- Simplified service due to easy assembling and disassembling

■ Application range

- For installation of harnessed cables
- Everywhere where cables must be safely inserted into housings.
- Apparatus and switch cabinet construction
- Electronic installations
- Automation technology

■ Approvals (Norm references)



■ Design

- SKINTOP® CUBE consists of SKINTOP® CUBE FRAME and the flexible clip module SKINTOP® CUBE MODULE.
- For cut-outs for industrial connectors with standard defined bore holes.
- For cut-outs for 16-pole industrial connectors (36 x 86mm)
- For cut-outs for 24-pole industrial connectors (36 x 112mm)

■ Note

- SKINTOP® CUBE MODULE 40x40 SMALL, LARGE, BLIND available in April 2010

■ Scope of delivery

- SKINTOP® CUBE FRAME including mounting material

■ Suitable tools

- Kraftform Kompakt® 10

Info

- Innovative multi cable bushing system with variable clamping ranges for high assembling flexibility.
- In case of disassembling frame can remain on housing and clip module on the cable.

■ Technical data

	Approvals UL pending
	Material Frame: Glas fibre reinforced polyamide Frame seal: CR Clip Module: Special polyamide Clip Module Seal: LSE 2
	Degree of protection IP 64
	Range of temperature -20°C up to +80°C

Article number	Article designation / size	Clamping range ØF (mm)	Max. number of executions	Pieces / PU
SKINTOP® CUBE Frame				
52220000	SKINTOP® CUBE FRAME 16		8	1
52220001	SKINTOP® CUBE FRAME 24		10	1
SKINTOP® CUBE clip modules				
52220004	SKINTOP® CUBE MODULE 20x20 BLIND	1.0 - 3.0		5
52220002	SKINTOP® CUBE MODULE 20x20 SMALL	4.0 - 6.0		5
52220003	SKINTOP® CUBE MODULE 20x20 LARGE	6.0 - 9.0		5
52220040	SKINTOP® CUBE MODULE 20x20 AS-1 BUS	AS-1 BUS Cable		5
52220005	SKINTOP® CUBE MODULE 40x40 SMALL	9.0 - 12.0		5
52220006	SKINTOP® CUBE MODULE 40x40 LARGE	12.0 - 16.0		5
52220007	SKINTOP® CUBE MODULE 40x40 BLIND			5

Photographs are not to scale and do not represent detailed images of the respective products.

■ Similar products

■ Accessories