

PRODUCT CHANGE EPIC® H-A 3 SERIES METAL

Content

EPIC® H-A 3 MTG - Hood straight cable entry	2
EPIC® H-A 3 MTS - Hood side cable entry	4
EPIC® H-A 3 MTGVB – cable coupler hood	6
EPIC® H-A 3 MAG - panel-mount base	8
EPIC® H-A 3 MAGS - panel-mount base angled	10
EPIC® H-A 3 MAGSV – Surface-mount base	12

U.I. Lapp GmbH
Schulze-Delitzsch-Straße 25
70565 Stuttgart
Tel.: +49 (0)7 11/78 38-01
Fax: +49 (0)7 11/78 38-26 40
E-Mail: info@lappkabel.de
www.lappkabel.de

Commercial Register
Stuttgart HRB 12720

Executive management
Matthias Lapp, Dr. Matthias Kirchherr,
Boris Katic, Lutz Grotebrune

Chairman of the Supervisory Board
Andreas Lapp

Branch
Hannover

Ein Unternehmen der Lapp Gruppe

Lapp Insulator is not affiliated
With the Lapp Group

EPIC® H-A 3 MTG - Hood straight cable entry

Product Change Notification	
Date:	11.01.2021


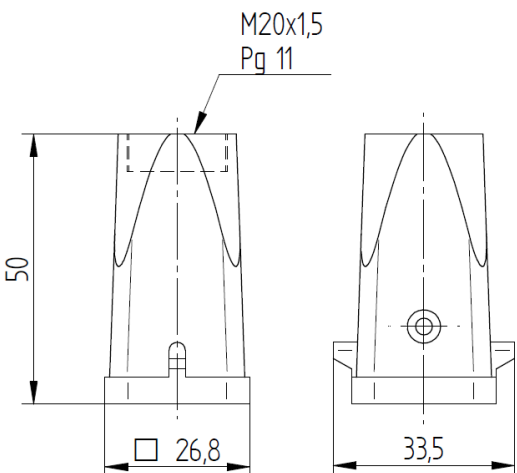

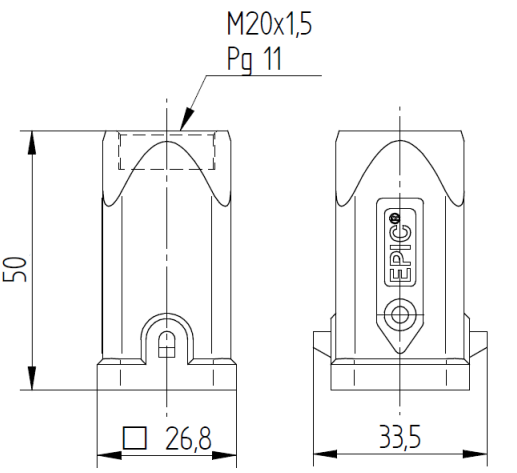
Affected Products	
Product Change:	New housing design for metal housing type EPIC® H-A 3 MTG
Product Range:	EPIC® H-A 3 MTG (metal)
Affected Articles:	10426500, 10512100, 10629600, 19426500, 19428300, 19512100, 75009602, 75009614
Valid from:	Q2/2021

Type of Change			
	YES	NO	Remark
Marking		X	
Dimensions		X	
Function		X	
Technical Data	X		IP rating improved: IP68
Appearance	X		New Design, new Logo with arrow for easy assembly

Contained in			
	YES	NO	Remark
Print Catalogue	X		
Web Catalogue	X		

Change Details
<ul style="list-style-type: none"> - The thread area is optimized for better sealing - Design is adjusted in order to fit in bigger inserts - New Design, new Logo with arrow for easy assembly - IP rating improved to IP68 (10h, 1m)

EPIC® H-A 3 MTG

Currently	Future
<p>EPIC® H-A 3 MTG Image</p>  <p>Colour difference due to different illumination</p> <p>Drawing</p> 	<p>EPIC® H-A 3 MTG Image</p>  <p>Colour difference due to different illumination</p> <p>Drawing</p> 

U.J. Lapp GmbH
 Schulze-Delitzsch-Straße 25
 70565 Stuttgart
 Tel.: +49 (0)7 11/78 38-01
 Fax: +49 (0)7 11/78 38-26 40
 E-Mail: info@lappkabel.de
 www.lappkabel.de

Registergericht
 Stuttgart HRB 12720

Geschäftsführer
 Matthias Lapp, Dr. Matthias Kirchherr,
 Lutz Grotebrune, Boris Katic

Vorsitzender des Aufsichtsrats
 Andreas Lapp

Ein Unternehmen der Lapp Gruppe

Lapp Insulator ist kein Unternehmen der Lapp Gruppe

EPIC® H-A 3 MTS - Hood side cable entry

Product Change Notification	
Date:	11.01.2021


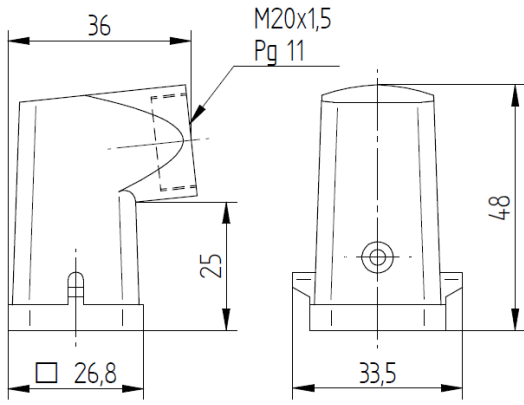

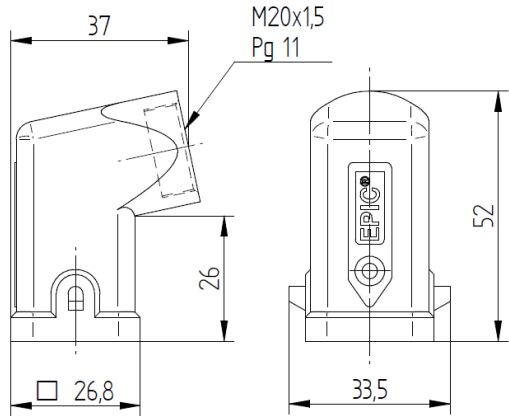
Affected Products	
Product Change:	New housing design for metal housing type EPIC® H-A 3 MTS
Product Range:	EPIC® H-A 3 MTS (metal)
Affected Articles:	10427500, 10512300, 19427500, 19512300, 75009604, 75009616, 75009714, 75009715
Valid from:	Q2/2021

Type of Change			
	YES	NO	Remark
Marking		X	
Dimensions	X		Maximal height now 52 mm, length now 37mm,
Function		X	
Technical Data	X		IP rating improved: IP68
Appearance	X		New Design, New Logo with arrow for easy assembly

Contained in			
	YES	NO	Remark
Print Catalogue	X		
Web Catalogue	X		

Change Details	
<ul style="list-style-type: none"> - The thread area is optimized for better sealing - Change of the angle from 6 ° to 12 ° in order to avoid a strong bending of the cable in the angular range of the housing - Maximal height now 52 mm - Maximal length now 37 - IP rating improved to IP68 (10h, 1m) 	

EPIC® H-A 3 MTS

Currently	Future
<p>EPIC® H-A 3 MTS Image</p>  <p>Colour difference due to different illumination</p> <p>Drawing</p> 	<p>EPIC® H-A 3 MTS Image</p>  <p>Colour difference due to different illumination</p> <p>Drawing</p> 

U.I. Lapp GmbH
 Schulze-Delitzsch-Straße 25
 70565 Stuttgart
 Tel.: +49 (0)7 11/78 38-01
 Fax: +49 (0)7 11/78 38-26 40
 E-Mail: info@lappkabel.de
 www.lappkabel.de

Registergericht
 Stuttgart HRB 12720

Geschäftsführer
 Matthias Lapp, Dr. Matthias Kirchherr,
 Lutz Grotebrune, Boris Katic

Vorsitzender des Aufsichtsrats
 Andreas Lapp

Ein Unternehmen der Lapp Gruppe

Lapp Insulator ist kein Unternehmen der Lapp Gruppe

EPIC® H-A 3 MTGVB – cable coupler hood

Product Change Notification	
Date:	11.01.2021


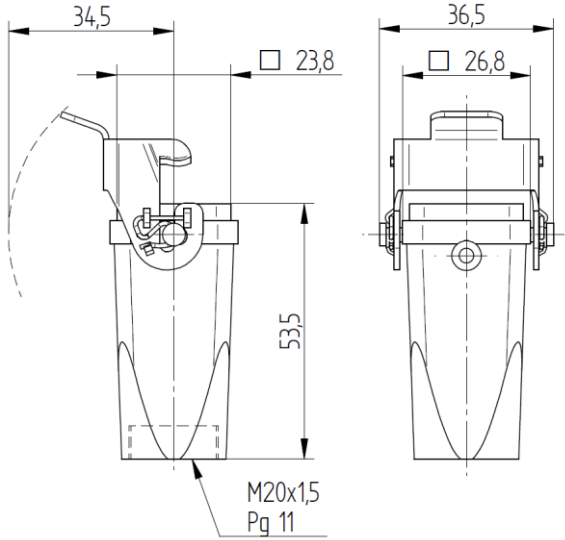

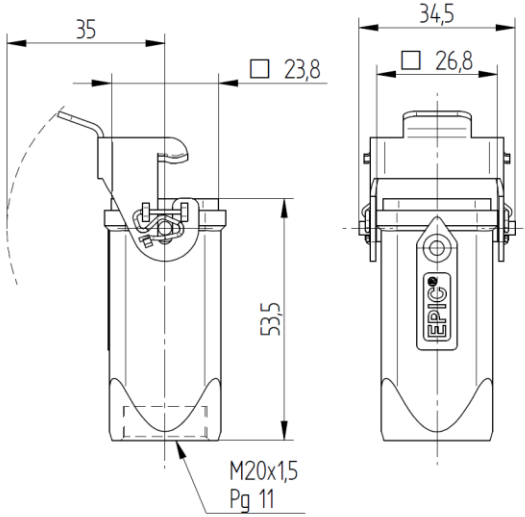
Affected Products	
Product Change:	New housing design for metal housing type EPIC® H-A 3 MTGVB
Product Range	EPIC® H-A 3 MTGVB (metal)
Affected Articles	10429500, 10512900, 19429500, 19512900
Valid from:	Q2/2021

Type of Change			
	YES	NO	Remark
Marking		X	
Dimensions	X		Max. width reduced from 36,5 mm to 34,5 mm
Function		X	
Technical Data	X		IP rating improved: IP68
Appearance	X		New Design, new Logo with arrow for easy assembly

Contained in			
	YES	NO	Remark
Print Catalogue	X		
Web Catalogue	X		

Change Details	
<ul style="list-style-type: none"> - Max. width reduced from 36,5 mm to 34,5 mm - The thread area is optimized for better sealing - Design slopes are adjusted in order to fit in bigger inserts - new arrow as a design element to visualize the plug-in direction - IP rating improved to IP68 (10h, 1m) 	

EPIC® H-A 3 MTGVB

Currently	Future
<p>EPIC® H-A 3 MTGVB Image</p>  <p>Colour difference due to different illumination</p> <p>Drawing</p> 	<p>EPIC® H-A 3 MTGVB Image</p>  <p>Colour difference due to different illumination</p> <p>Drawing</p> 

U.I. Lapp GmbH
 Schulze-Delitzsch-Straße 25
 70565 Stuttgart
 Tel.: +49 (0)7 11/78 38-01
 Fax: +49 (0)7 11/78 38-26 40
 E-Mail: info@lappkabel.de
 www.lappkabel.de

Registergericht
 Stuttgart HRB 12720

Geschäftsführer
 Matthias Lapp, Dr. Matthias Kirchherr,
 Lutz Grotebrune, Boris Katic

Vorsitzender des Aufsichtsrats
 Andreas Lapp

Ein Unternehmen der Lapp Gruppe

Lapp Insulator ist kein Unternehmen der Lapp Gruppe

EPIC® H-A 3 MAG - panel-mount base

Product Change Notification	
Date:	11.01.2021


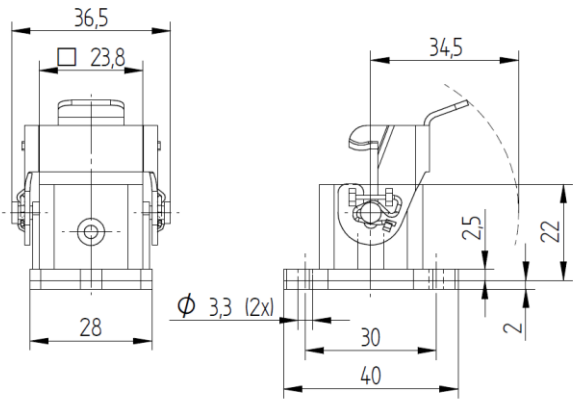

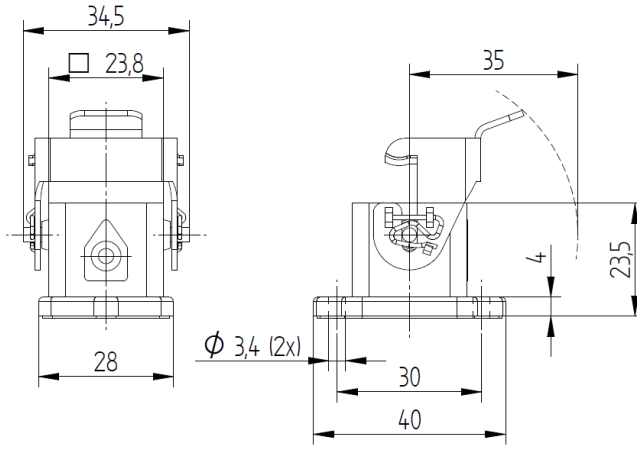
Affected Products	
Product Change:	New housing design for metal housing type EPIC® H-A 3 MAG
Product Range	EPIC® H-A 3 MAG (metal)
Affected Articles	10422500, 10422501, 10422502
Valid from:	Q2/2021

Type of Change			
	YES	NO	Remark
Marking		X	
Dimensions	X		Max. width reduced from 36,5 mm to 34,5 mm Max height reduced from 24 mm to < 23,5 mm through integrated sealing
Function	X		New integrated sealing for easier mounting
Technical Data	X		IP rating improved: IP66
Appearance	X		New Design, New Logo with arrow for easy assembly

Contained in			
	YES	NO	Remark
Print Catalogue	X		
Web Catalogue	X		

Change Details
<ul style="list-style-type: none"> - Max. width reduced from 36,5 mm to 34,5 mm - Max height reduced from 24 mm to < 23,5 mm through integrated sealing - new internal integrated sealing for easier mounting - The thread area is optimized for better sealing - new arrow as a design element to visualize the plug-in direction - IP rating improved to IP66

EPIC® H-A 3 MAG

Currently	Future
<p>EPIC® H-A 3 MAG Image</p>  <p>Colour difference due to different illumination</p> <p>Drawing</p> 	<p>EPIC® H-A 3 MAG Image</p>  <p>Colour difference due to different illumination</p> <p>Drawing</p> 

U.I. Lapp GmbH
 Schulze-Delitzsch-Straße 25
 70565 Stuttgart
 Tel.: +49 (0)7 11/78 38-01
 Fax: +49 (0)7 11/78 38-26 40
 E-Mail: info@lappkabel.de
 www.lappkabel.de

Registergericht
 Stuttgart HRB 12720

Geschäftsführer
 Matthias Lapp, Dr. Matthias Kirchherr,
 Lutz Grotebrune, Boris Katic

Vorsitzender des Aufsichtsrats
 Andreas Lapp

Ein Unternehmen der Lapp Gruppe

Lapp Insulator ist kein Unternehmen der Lapp Gruppe

EPIC® H-A 3 MAGS - panel-mount base angled

Product Change Notification	
Date:	11.01.2021


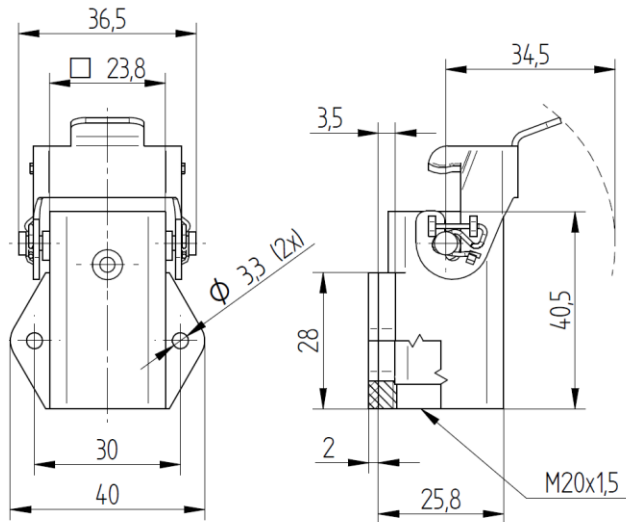

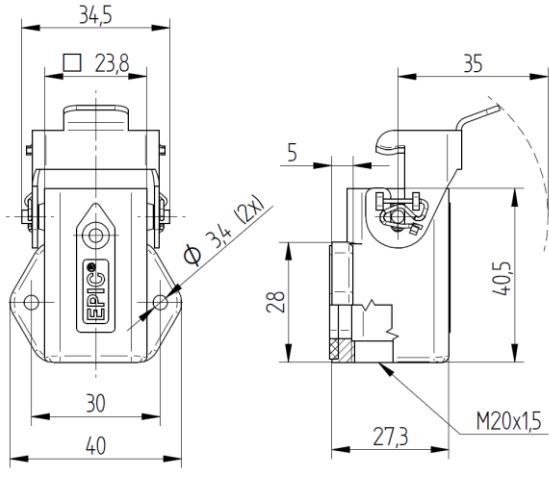
Affected Products	
Product Change:	New housing design for metal housing type EPIC® H-A 3 MAGS
Product Range	EPIC® H-A 3 MAGS (metal)
Affected Articles	10423500, 10423501
Valid from:	Q2/2021

Type of Change			
	YES	NO	Remark
Marking		X	
Dimensions	X		Max. width reduced from 36,5 mm to 34,5 mm
Function	X		New integrated sealing for easier mounting
Technical Data	X		IP rating improved: IP66
Appearance	X		New Design, New Logo with arrow for easy assembly

Contained in			
	YES	NO	Remark
Print Catalogue	X		
Web Catalogue	X		

Change Details	
<ul style="list-style-type: none"> - Max. width reduced from 36,5 mm to 34,5 mm - new internal integrated sealing for easier mounting - new arrow as a design element to visualize the plug-in direction - IP rating improved to IP66 	

EPIC® H-A 3 MAGS

Currently	Future
<p>EPIC® H-A 3 MAGS Image</p>  <p>Colour difference due to different illumination</p> <p>Drawing</p> 	<p>EPIC® H-A 3 MAGS Image</p>  <p>Colour difference due to different illumination</p> <p>Drawing</p> 

U.I. Lapp GmbH
 Schulze-Delitzsch-Straße 25
 70565 Stuttgart
 Tel.: +49 (0)7 11/78 38-01
 Fax: +49 (0)7 11/78 38-26 40
 E-Mail: info@lappkabel.de
 www.lappkabel.de

Registergericht
 Stuttgart HRB 12720

Geschäftsführer
 Matthias Lapp, Dr. Matthias Kirchherr,
 Lutz Grotebrune, Boris Katic

Vorsitzender des Aufsichtsrats
 Andreas Lapp

Ein Unternehmen der Lapp Gruppe

Lapp Insulator ist kein Unternehmen der Lapp Gruppe

EPIC® H-A 3 MAGSV – Surface-mount base

Product Change Notification	
Date:	11.01.2021

Affected Products	
Product Change:	New housing design for metal housing type EPIC® H-A 3 MAGSV
Product Range	EPIC® H-A 3 MAGSV (metal)
Affected Articles	10424500, 104245 15, 10512700, 19424500, 19512700, 19512701
Valid from:	Q2/2021

Type of Change			
	YES	NO	Remark
Marking		X	
Dimensions	X		Max. width reduced from 36,5 mm to 34,5 mm integrated sealing
Function	X		New integrated sealing for easier mounting
Technical Data	X		IP rating improved: IP66
Appearance	X		New Design, New Logo with arrow for easy assembly

Contained in			
	YES	NO	Remark
Print Catalogue	X		
Web Catalogue	X		

Change Details	
<ul style="list-style-type: none"> - Max. width reduced from 36,5 mm to 34,5 mm - new internal integrated sealing for easier mounting - new arrow as a design element to visualize the plug-in direction - IP rating improved to IP66 	

f

U.I. Lapp GmbH
 Schulze-Delitzsch-Straße 25
 70565 Stuttgart
 Tel.: +49 (0)7 11/78 38-01
 Fax: +49 (0)7 11/78 38-26 40
 E-Mail: info@lappkabel.de
 www.lappkabel.de

Registergericht
 Stuttgart HRB 12720

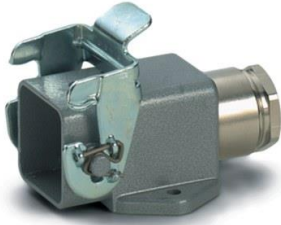
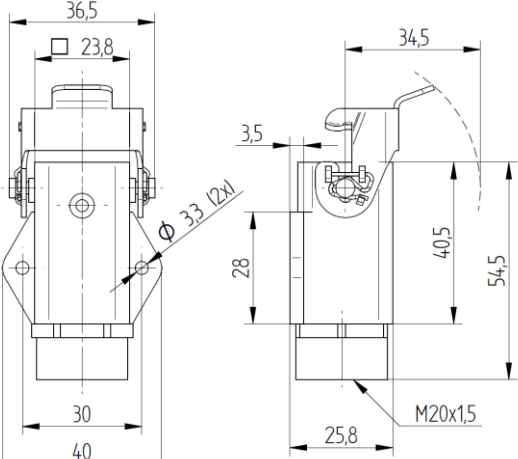

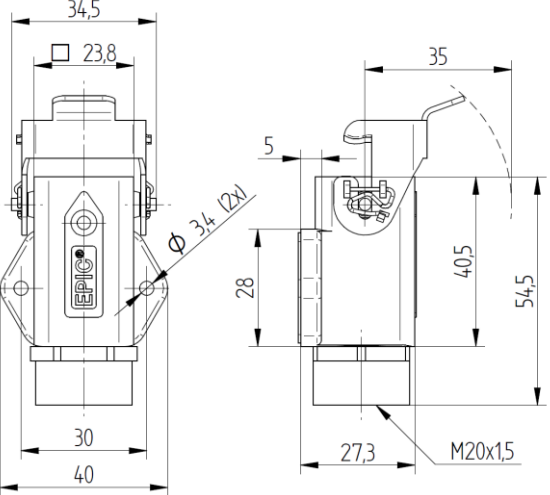
Geschäftsführer
 Matthias Lapp, Dr. Matthias Kirchherr,
 Lutz Grotebrune, Boris Katic

Vorsitzender des Aufsichtsrats
 Andreas Lapp

Ein Unternehmen der Lapp Gruppe

Lapp Insulator ist kein Unternehmen der Lapp Gruppe

EPIC® H-A 3 MAGSV

Currently	Future
<p>EPIC® H-A 3 MAGSV Image</p>  <p>Colour difference due to different illumination</p> <p>Drawing</p> 	<p>EPIC® H-A 3 MAGSV Image</p>  <p>Colour difference due to different illumination</p> <p>Drawing</p> 

U.I. Lapp GmbH
 Schulze-Delitzsch-Straße 25
 70565 Stuttgart
 Tel.: +49 (0)7 11/78 38-01
 Fax: +49 (0)7 11/78 38-26 40
 E-Mail: info@lappkabel.de
 www.lappkabel.de

Registergericht
 Stuttgart HRB 12720

Geschäftsführer
 Matthias Lapp, Dr. Matthias Kirchherr,
 Lutz Grotebrune, Boris Katic

Vorsitzender des Aufsichtsrats
 Andreas Lapp

Ein Unternehmen der Lapp Gruppe

Lapp Insulator ist kein Unternehmen der Lapp Gruppe