

PRODUKTÄNDERUNGSINFORMATION EPIC® ULTRA H-A 3 SERIE

Inhalt

| | |
|---|----|
| EPIC® ULTRA H-A 3 TG - Hood straight cable entry..... | 2 |
| EPIC® ULTRA H-A 3 TS - Hood side cable entry..... | 4 |
| EPIC® ULTRA H-A 3 TBF - cable coupler hood..... | 6 |
| EPIC® ULTRA H-A 3 AG – panel-mount base..... | 8 |
| EPIC® ULTRA H-A 3 AGS - panel-mount base angled | 10 |
| EPIC® ULTRA H-A 3 AGSV – Surface-mount base | 12 |

U.I. Lapp GmbH
Schulze-Delitzsch-Straße 25
70565 Stuttgart
Tel.: +49 (0)7 11/78 38-01
Fax: +49 (0)7 11/78 38-26 40
E-Mail: info@lappkabel.de
www.lappkabel.de

Commercial Register
Stuttgart HRB 12720

Executive management
Matthias Lapp, Dr. Matthias Kirchherr,
Boris Katic, Lutz Grotebrune

Chairman of the Supervisory Board
Andreas Lapp

Branch
Hannover

**Ein Unternehmen der Lapp
Gruppe**

Lapp Insulator is not affiliated
With the Lapp Group

EPIC® ULTRA H-A 3 TG - Hood straight cable entry

| Product Change Notification | |
|-----------------------------|------------|
| Date: | 11.01.2021 |


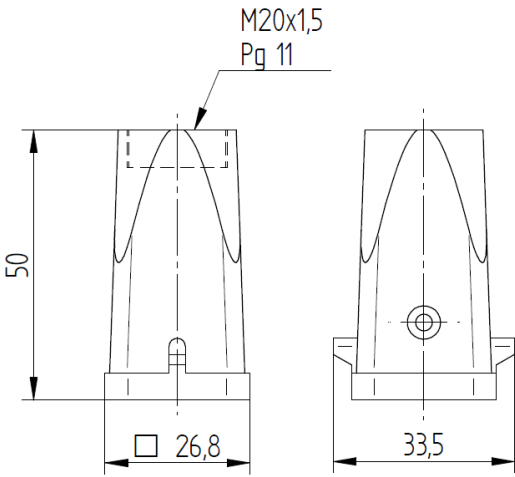

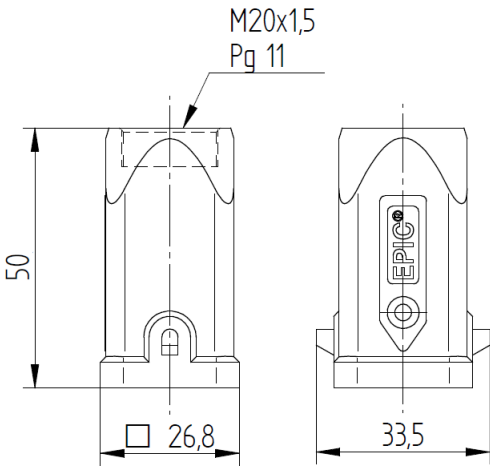
| Affected Products | |
|-------------------|--|
| Product Change: | New housing design for housing type EPIC® ULTRA H-A 3 TG |
| Product Range | EPIC® ULTRA H-A 3 TG |
| Affected Articles | 10423300 |
| Valid from: | Q2/2021 |

| Type of Change | | | |
|----------------|-----|----|---|
| | YES | NO | Remark |
| Marking | | X | |
| Dimensions | | X | |
| Function | | X | |
| Technical Data | X | | IP rating improved: IP68 |
| Appearance | X | | New Design, New Logo with arrow for easy assembly |

| Contained in | | | |
|-----------------|-----|----|--------|
| | YES | NO | Remark |
| Print Catalogue | X | | |
| Web Catalogue | X | | |

| Change Details | |
|--|--|
| <ul style="list-style-type: none"> - The thread area is optimized for better sealing - Design is adjusted in order to fit in bigger inserts - New Design, new Logo with arrow for easy assembly - IP rating improved to IP68 (10h, 1m) | |

EPIC® ULTRA H-A 3 TG

| Currently | Future |
|--|---|
| <p>EPIC® ULTRA H-A 3 TG Image</p>  <p>Colour difference due to different illumination</p> <p>Drawing</p>  | <p>EPIC® ULTRA H-A 3 TG Image</p>  <p>Colour difference due to different illumination</p> <p>Drawing</p>  |

U.I. Lapp GmbH
 Schulze-Delitzsch-Straße 25
 70565 Stuttgart
 Tel.: +49 (0)7 11/78 38-01
 Fax: +49 (0)7 11/78 38-26 40
 E-Mail: info@lappkabel.de
 www.lappkabel.de

Registergericht
 Stuttgart HRB 12720

Geschäftsführer
 Matthias Lapp, Dr. Matthias Kirchherr,
 Lutz Grotebrune, Boris Katic

Vorsitzender des Aufsichtsrats
 Andreas Lapp

Ein Unternehmen der Lapp Gruppe

Lapp Insulator ist kein Unternehmen der Lapp Gruppe

EPIC® ULTRA H-A 3 TS - Hood side cable entry

| Product Change Notification | |
|-----------------------------|------------|
| Date: | 11.01.2021 |


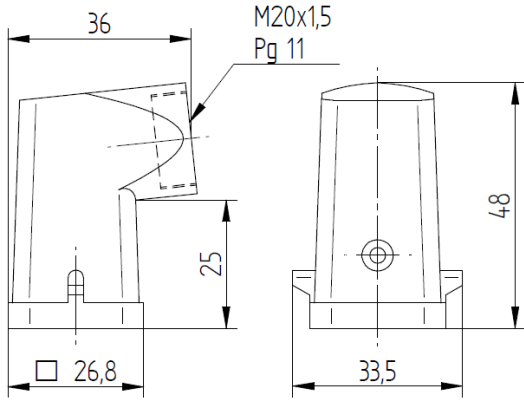

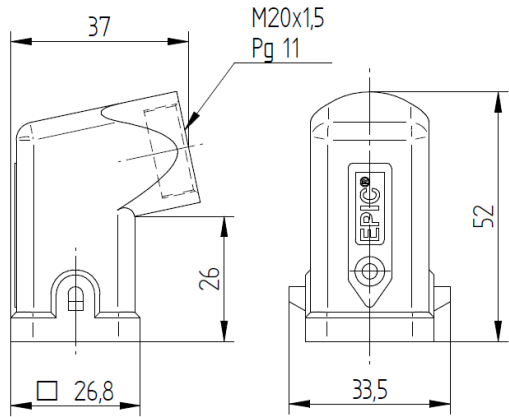
| Affected Products | |
|-------------------|--|
| Product Change: | New housing design for housing type EPIC® ULTRA H-A 3 TS |
| Product Range | EPIC® ULTRA H-A 3 TS |
| Affected Articles | 10423201 |
| Valid from: | Q2/2021 |

| Type of Change | | | |
|----------------|-----|----|---|
| | YES | NO | Remark |
| Marking | | X | |
| Dimensions | X | | Maximal height now 52 mm, width now 37mm, |
| Function | | X | |
| Technical Data | x | | IP rating improved: IP68 |
| Appearance | X | | New Design, new Logo with arrow for easy assembly |

| Contained in | | | |
|-----------------|-----|----|--------|
| | YES | NO | Remark |
| Print Catalogue | X | | |
| Web Catalogue | X | | |

| Change Details | |
|--|--|
| <ul style="list-style-type: none"> - Maximal height now 52 mm - The thread area is optimized for better sealing - Change of the angle from 6 ° to 12 ° against a strong bending of the cable in the angular range of the housing - IP rating improved to IP68 (10h,1m) | |

EPIC® ULTRA H-A 3 TS

| Currently | Future |
|--|--|
| <p>EPIC® ULTRA H-A 3 TS Image</p>  <p>Colour difference due to different illumination</p> <p>Drawing</p>  | <p>EPIC® ULTRA H-A 3 TS Image</p>  <p>Colour difference due to different illumination</p> <p>Drawing</p>  |

U.I. Lapp GmbH
 Schulze-Delitzsch-Straße 25
 70565 Stuttgart
 Tel.: +49 (0)7 11/78 38-01
 Fax: +49 (0)7 11/78 38-26 40
 E-Mail: info@lappkabel.de
 www.lappkabel.de

Registergericht
 Stuttgart HRB 12720

Geschäftsführer
 Matthias Lapp, Dr. Matthias Kirchherr,
 Lutz Grotebrune, Boris Katic

Vorsitzender des Aufsichtsrats
 Andreas Lapp

Ein Unternehmen der Lapp Gruppe

Lapp Insulator ist kein Unternehmen der Lapp Gruppe

EPIC® ULTRA H-A 3 TBF - cable coupler hood

| Product Change Notification | |
|-----------------------------|------------|
| Date: | 11.01.2021 |


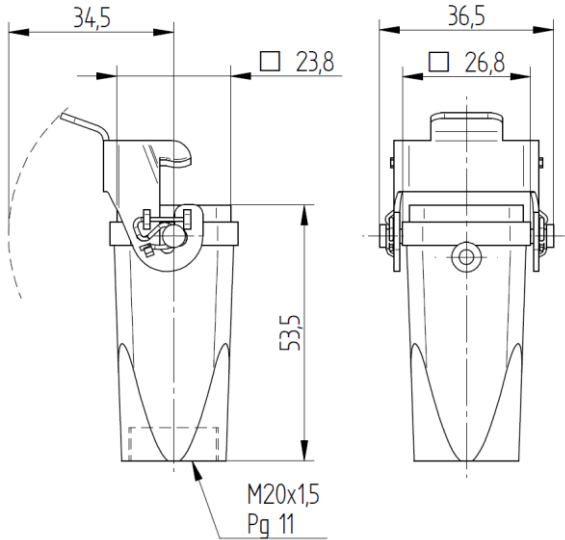

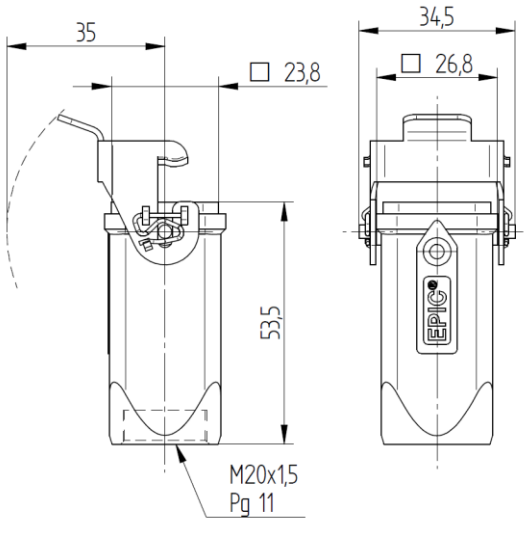
| Affected Products | |
|-------------------|---|
| Product Change: | New housing design for housing type EPIC® ULTRA H-A 3 TBF |
| Product Range | EPIC® ULTRA H-A 3 TBF |
| Affected Articles | 10423204 |
| Valid from: | Q2/2021 |

| Type of Change | | | |
|----------------|-----|----|---|
| | YES | NO | Remark |
| Marking | | X | |
| Dimensions | X | | Max. width reduced from 36,5mm to 34,5mm |
| Function | | X | |
| Technical Data | X | | IP rating improved: IP68 |
| Appearance | X | | New Design, new Logo with arrow for easy assembly |

| Contained in | | | |
|-----------------|-----|----|--------|
| | YES | NO | Remark |
| Print Catalogue | X | | |
| Web Catalogue | X | | |

| Change Details | |
|--|--|
| <ul style="list-style-type: none"> - Max. width reduced from 36,5mm to < 35mm - The thread area is optimized for better sealing - Design slopes are adjusted in order to fit in bigger inserts - new arrow as a design element to visualize the plug-in direction - IP rating improved to IP68 (10h, 1m) | |

EPIC® H-A 3 ULTRA H-A 3 TBF

| Currently | Future |
|---|---|
| <p>EPIC® ULTRA H-A 3 TBF Image</p>  <p>Colour difference due to different illumination</p> <p>Drawing</p>  | <p>EPIC® ULTRA H-A 3 TBF Image</p>  <p>Colour difference due to different illumination</p> <p>Drawing</p>  |

U.J. Lapp GmbH
 Schulze-Delitzsch-Straße 25
 70565 Stuttgart
 Tel.: +49 (0)7 11/78 38-01
 Fax: +49 (0)7 11/78 38-26 40
 E-Mail: info@lappkabel.de
 www.lappkabel.de

Registergericht
 Stuttgart HRB 12720

Geschäftsführer
 Matthias Lapp, Dr. Matthias Kirchherr,
 Lutz Grotebrune, Boris Katic

Vorsitzender des Aufsichtsrats
 Andreas Lapp

Ein Unternehmen der Lapp Gruppe

Lapp Insulator ist kein Unternehmen der Lapp Gruppe

EPIC® ULTRA H-A 3 AG – panel-mount base

| Product Change Notification | |
|-----------------------------|------------|
| Date: | 11.01.2021 |


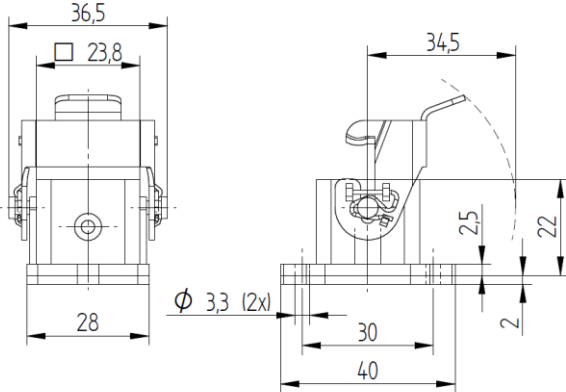

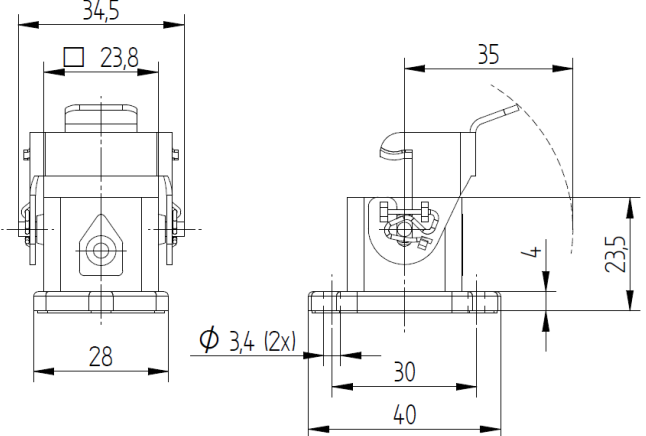
| Affected Products | |
|-------------------|--|
| Product Change: | New housing design for housing type EPIC® ULTRA H-A 3 AG |
| Product Range | EPIC® ULTRA H-A 3 AG |
| Affected Articles | 10423200 |
| Valid from: | Q2/2021 |

| Type of Change | | | |
|----------------|-----|----|---|
| | YES | NO | Remark |
| Marking | | X | |
| Dimensions | X | | Max. width reduced from 36,5 mm to 34,5 mm Max height reduced from 24mm to < 23,5mm through integrated sealing |
| Function | X | | New integrated sealing for easier mounting |
| Technical Data | X | | IP rating improved: IP66 |
| Appearance | X | | New Design, New Logo with arrow for easy assembly |

| Contained in | | | |
|-----------------|-----|----|--------|
| | YES | NO | Remark |
| Print Catalogue | X | | |
| Web Catalogue | X | | |

| Change Details | |
|--|--|
| <ul style="list-style-type: none"> - Max. width reduced from 36,5 mm to 34,5 mm - Max height reduced from 24 mm to < 23,5 mm through integrated sealing - new internal integrated sealing for easier mounting - The thread area is optimized for better sealing - new arrow as a design element to visualize the plug-in direction - IP rating improved to IP66 | |

EPIC® ULTRA H-A 3 AG

| Currently | Future |
|--|--|
| <p>EPIC® ULTRA H-A 3 AG Image</p>  <p>Colour difference due to different illumination</p> <p>Drawing</p>  | <p>EPIC® ULTRA H-A 3 AG Image</p>  <p>Colour difference due to different illumination</p> <p>Drawing</p>  |

U.I. Lapp GmbH
 Schulze-Delitzsch-Straße 25
 70565 Stuttgart
 Tel.: +49 (0)7 11/78 38-01
 Fax: +49 (0)7 11/78 38-26 40
 E-Mail: info@lappkabel.de
 www.lappkabel.de

Registergericht
 Stuttgart HRB 12720

Geschäftsführer
 Matthias Lapp, Dr. Matthias Kirchherr,
 Lutz Grotebrune, Boris Katic

Vorsitzender des Aufsichtsrats
 Andreas Lapp

Ein Unternehmen der Lapp Gruppe

Lapp Insulator ist kein Unternehmen der Lapp Gruppe

EPIC® ULTRA H-A 3 AGS - panel-mount base angled

| Product Change Notification | |
|-----------------------------|------------|
| Date: | 11.01.2021 |

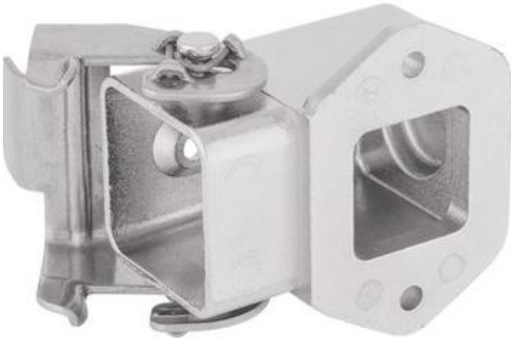
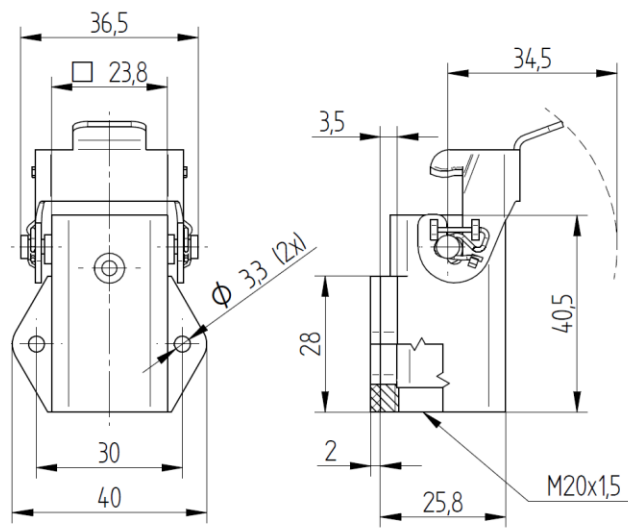

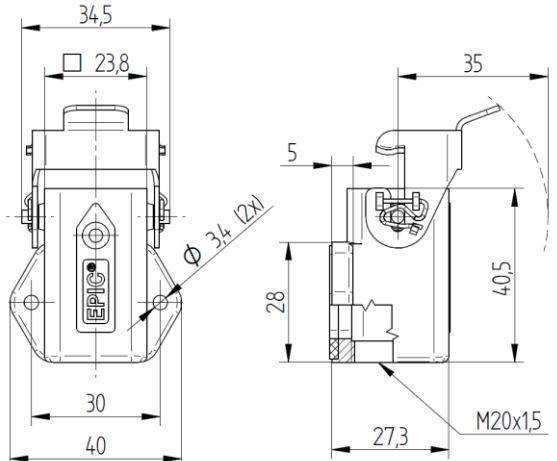
| Affected Products | |
|-------------------|---|
| Product Change: | New housing design for housing type EPIC® ULTRA H-A 3 AGS |
| Product Range | EPIC® ULTRA H-A 3 AGS |
| Affected Articles | 10423202 |
| Valid from: | Q2/2021 |

| Type of Change | | | |
|----------------|-----|----|---|
| | YES | NO | Remark |
| Marking | | X | |
| Dimensions | X | | Max. width reduced from 36,5 mm to 34,5 mm |
| Function | X | | New integrated sealing for easier mounting |
| Technical Data | X | | IP rating improved: IP66 |
| Appearance | X | | New Design, New Logo with arrow for easy assembly |

| Contained in | | | |
|-----------------|-----|----|--------|
| | YES | NO | Remark |
| Print Catalogue | X | | |
| Web Catalogue | X | | |

| Change Details | |
|---|--|
| <ul style="list-style-type: none"> - Max. width reduced from 36,5 mm to 34,5 mm - new internal integrated sealing for easier mounting - new arrow as a design element to visualize the plug-in direction - IP rating improved to IP66 | |

EPIC® H-A 3 ULTRA H-A 3 AGS

| Currently | Future |
|---|--|
| <p>EPIC® ULTRA H-A 3 AGS Image</p>  <p>Colour difference due to different illumination</p> <p>Drawing</p>  | <p>EPIC® ULTRA H-A 3 AGS Image</p>  <p>Colour difference due to different illumination</p> <p>Drawing</p>  |

U.I. Lapp GmbH
 Schulze-Delitzsch-Straße 25
 70565 Stuttgart
 Tel.: +49 (0)7 11/78 38-01
 Fax: +49 (0)7 11/78 38-26 40
 E-Mail: info@lappkabel.de
 www.lappkabel.de

Registergericht
 Stuttgart HRB 12720

Geschäftsführer
 Matthias Lapp, Dr. Matthias Kirchherr,
 Lutz Grotebrune, Boris Katic

Vorsitzender des Aufsichtsrats
 Andreas Lapp

Ein Unternehmen der Lapp Gruppe

Lapp Insulator ist kein
 Unternehmen der Lapp Gruppe

EPIC® ULTRA H-A 3 AGSV – Surface-mount base

| Product Change Notification | |
|-----------------------------|------------|
| Date: | 11.01.2021 |


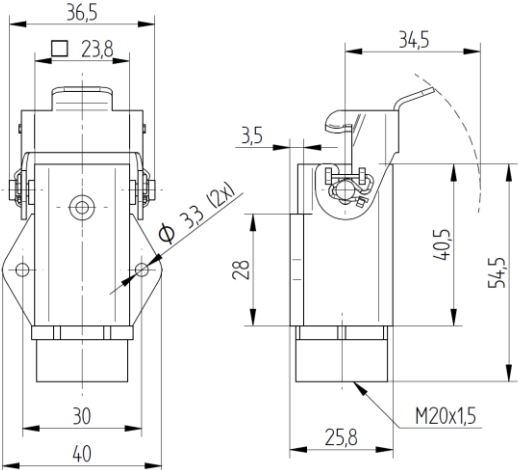

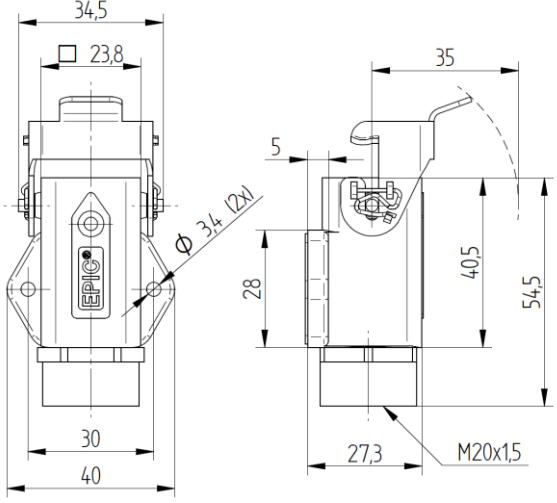
| Affected Products | |
|-------------------|--|
| Product Change: | New housing design for housing type EPIC® ULTRA H-A 3 AGSV |
| Product Range | EPIC® ULTRA H-A 3 AGSV |
| Affected Articles | 10423203 |
| Valid from: | Q2/2021 |

| Type of Change | | | |
|----------------|-----|----|---|
| | YES | NO | Remark |
| Marking | | X | |
| Dimensions | X | | Max. width reduced from 36,5 mm to < 35 mm integrated sealing |
| Function | X | | New integrated sealing for easier mounting |
| Technical Data | X | | IP rating improved: IP66 |
| Appearance | X | | New Design, New Logo with arrow for easy assembly |

| Contained in | | | |
|-----------------|-----|----|--------|
| | YES | NO | Remark |
| Print Catalogue | X | | |
| Web Catalogue | X | | |

| Change Details |
|---|
| <ul style="list-style-type: none"> - Max. width reduced from 36,5 mm to 34,5 mm - new internal integrated sealing for easier mounting - new arrow as a design element to visualize the plug-in direction - IP rating improved to IP66 |

EPIC® ULTRA H-A 3 AGSV

| Currently | Future |
|--|--|
| <p>EPIC® ULTRA H-A 3 AGSV Image</p>  <p>Colour difference due to different illumination</p> <p>Drawing</p>  | <p>EPIC® ULTRA H-A 3 AGSV Image</p>  <p>Colour difference due to different illumination</p> <p>Drawing</p>  |

U.I. Lapp GmbH
 Schulze-Delitzsch-Straße 25
 70565 Stuttgart
 Tel.: +49 (0)7 11/78 38-01
 Fax: +49 (0)7 11/78 38-26 40
 E-Mail: info@lappkabel.de
 www.lappkabel.de

Registergericht
 Stuttgart HRB 12720

Geschäftsführer
 Matthias Lapp, Dr. Matthias Kirchherr,
 Lutz Grotebrune, Boris Katic

Vorsitzender des Aufsichtsrats
 Andreas Lapp

Ein Unternehmen der Lapp Gruppe

Lapp Insulator ist kein Unternehmen der Lapp Gruppe