

# SKINTOP®

Multi-cable entry systems





Andreas Lapp,  
Matthias Lapp,  
Ursula Ida Lapp,  
Alexander Lapp,  
Siegbert E. Lapp.

# Success through values

Rock solid, high performance. Regional roots, global aspirations. Fast, reliable, high quality – and development that is always one step ahead. For products for the railway industry as well. This is Lapp.

The southwest region of Germany is considered one of the most innovative and powerful industrial sectors in the world, and for good reason. Lapp is a part of this region, helping to guide it and its success worldwide. As a completely family run company, we know: Everything that we have achieved since our founding in 1957 is based on the

daily commitment of our skilled staff and partnerships with our customers based on trust. Each of them has made a decisive contribution to our mutual success.

Today, Lapp is one of the world's leading manufacturers of cables, leads, cable accessories and systems of the highest level of quality. We have approximately 3,440 employees worldwide. With 18 production sites on four continents, more than 39 sales companies and hundreds of dedicated consulting experts, we are always close by. And not just physically: customer

proximity cannot be measured in mere kilometres. It is based on listening, making your challenges our own and developing solutions that help to further your business model. Candid closeness and a trusting, partnership-based cooperation are more than just words for Lapp, they are values upon which we have built our family company.

The result? Intelligent and reliable connectivity solutions precisely tailored to the needs of our globally active customers. For you as well.

## Customer-oriented Successful Family based Innovative. **Lapp.**

- Founded in 1957
- A leading manufacturer of cables, leads, accessories and complete system solutions for connection technology
- Approximately 3,440 employees worldwide
- 18 production facilities
- 39 sales companies
- Hundreds of dedicated consulting experts worldwide

# Reliably connecting the world

We want to help you become even more productive and successful. This is why we work tirelessly on optimising our processes. We do everything to make sure we always find the best solution for you and also provide you with quick, efficient and effective support.

No matter where you are - we are always by your side. Our plants, sales companies, partners and, above all, our competent teams of advisers ensure we offer you a

comprehensive service on every continent. We do not simply distribute cable technology, we also manufacture our products ourselves - which represents another advantage for you. As a manufacturer with 18 of our own production facilities, you will benefit from our expertise in the development, design and manufacture of cables, system products and cable accessories. Thanks to this expertise, we can guarantee that Lapp will provide you with the quality that you require and that you demand.

You can always rely on quality from Lapp - wherever you are in the world. This is also embodied by our strong brands.

**8**  
Strong brands

**100**  
Sales partners

**18**  
Production sites

**1**  
Innovation after another

**152**  
Employees from countries

More than  
**40,000**  
Standard products

Over  
**39**  
of its own sales companies

**3,440**  
Employees



# Our global corporate network



Find other sales partners in your location:  
[www.lappgroup.com](http://www.lappgroup.com)

## America

Brazil	Cabos Lapp Brasil Ltda.
Canada	Lapp Canada Inc.
Mexico	Lapp Mexico S. de R.L. de C.V.
Panama	Lapp Latinamerica Support Corp.
USA	Lapp USA Inc. Lapp Cable Works Inc. Lapp Tannehill Inc.

## Europe

Austria	Lapp Austria GmbH
Benelux	Lapp Benelux B.V.
Czech Republic	Lapp Kabel s.r.o.
France	Lapp France S.a.r.l. Cableries Lapp S.a.r.l. Lapp Muller S.A.S.
Germany	U.I. Lapp GmbH Lapp GmbH Kabelwerke Lapp Systems GmbH Contact GmbH Elektrische Bauelemente
Great Britain	Lapp Ltd.
Hungary	Lapp Hungária KFT

Italy	Lapp Italia s.r.l. Camuna Cavi s.r.l. Lapp Sistemi Italia s.r.l.
Kazakhstan	Lapp Kazakhstan LLP
Latvia	Lapp Miltronic SIA
Norway	Miltronic AS
Poland	Lapp Kabel Sp. z o.o.
Portugal	Soluções Técnicas De Condutores, S.A
Romania	Lapp Kabel Romania SRL.
Russia	Lapp Russia OOO
Slovakia	Lapp Slovensko s.r.o.
Slovenia	Lapp, d.o.o.
Spain	Lapp Kabel España S.L.U.
Sweden	Miltronic AB Fleximark AB
Switzerland	Lapp Tec AG
Turkey	Lapp Kablo SAN.VE TIC. LTD.STI
Ukraine	Lapp Ukraine LLC
United Arab Emirates	Lapp Cables Middle East F.Z.E.

## Africa

South Africa	Lapp Southern Africa Pty. Ltd.
--------------	--------------------------------

## Asia

China	Lapp Kabel Shanghai Co. Ltd. Lapp Cable Works Shanghai Co. Ltd.
India	Lapp India Pvt. Ltd.
Indonesia	JPT JJ-Lapp Cable SMI
Japan	Lapp Japan KK
Malaysia	JJ Lapp Cable (M) Sdn Bhd
Philippines	JJ Lapp Cable (P) Inc
Singapore	JJ-Lapp Cable (S) Pte. Ltd. Lapp Logistics Pte. Ltd.
South Korea	Lapp Korea LLC.
Thailand	JJ-Lapp Cable (T) Ltd.
Vietnam	JJ-Lapp Cable Vietnam Co Ltd.



## SKINTOP® Multi-cable entry system

Everywhere where a secure connection between the machinery and plant is required and where lots of cables have to be inserted into an extremely tight space, the SKINTOP® multi-cable entry system is used. The portfolio includes solutions for assembled and non-assembled cables and wires. SKINTOP® stands for large clamping ranges, system flexibility and high degree of protection. Whether it is for less demanding areas of application or for extreme stresses due to water, dust, vibrations or thermal or chemical loads, Lapp offers a reliable solution for every application. The application ranges for SKINTOP® multi-cable entry systems are various:

- In control cabinets, subdistributors and housings where there is little space to insert wires, cables and media hoses due to high packing density

- Components that require quick and simple change or removal of assemblies (maintenance, service, reconfiguration)
- In order to enable flexible, quickly adaptable, modular systems for the purposes of Industry 4.0

The flexible SKINTOP® CUBE system is based on two different frame sizes and individual modules with variable cable clamping ranges, which are easily assembled, individually replaceable and can be disassembled without disassembling the frame. The systems allows up to 10 assembled cables to be inserted.

When using cables and wires without pre-assembled connectors, the SKINTOP® CUBE MULTI gel insert enables up to 23 cables to be inserted.

The SKINTOP® MULTI multi-cable entry system consists of just one non-detachable, very compact component. It also has an innovative gel insert that covers clamping ranges that have not been able to be achieved up to now.

The entire multi-cable entry system product family from Lapp makes an impression with its flexible, compatible system construction, which enables replacement or expansion of individual modules.

We will be able to personally advise you about our products and services. Moreover, we will also be glad to offer a customised hole configuration.

# SKINTOP® CUBE

The sturdy, glass fibre-reinforced polyamide SKINTOP® CUBE FRAME is available in two sizes (for 16-pin or 24-pin connector installation openings). Eight to ten cables of different diameters can be installed in minimal space within it.

The clip modules consist of two identical parts with specially developed, patented sealing inserts. These are simply put on the cable for assembly, positioned anywhere in the frame and fixed securely onto the frame with the clamping brackets - without any special tools. Additional lubricant or sealant is not required during assembly in order to maintain the protection rating.

This two-part solution allows assembled cables to be inserted, enables pre-assembly and eases maintenance and service work. SKINTOP® CUBE FRAME and SKINTOP® CUBE MODULE are geared up for interna-

tional use. Both parts are approved for cable bushing systems according to UL50, UL508A, UL50E and CSA C22.2 "Enclosures For Electrical Equipment/Industrial Control Panels".

The sealing modules have a wide clamping range. The highly flexible sealing material therefore provides optimum cable sealing.

There are six modules available: from 4-6 mm, 6-9 mm, 9-12 mm and 2-16 mm. Dummy modules that also cover cable diameters of 1-3 mm as well as modules specially designed for AS-I Bus cables. In order to remove the installed cable, unfasten the clamping brackets with a screwdriver and remove the corresponding clip module. In order to do this, the frame does not have to be removed from the housing, which saves time and money.



# SKINTOP® CUBE MULTI

The SKINTOP® CUBE MULTI is used everywhere that cables are routed into a housing without connectors and media hoses. They aid the installation of non-assembled cables and medium hoses in control systems, control cabinet and apparatus construction, as well as in automation technology. Two versions allow up to 23 cables to be inserted in a single SKINTOP® CUBE FRAME.

The innovative gel technology enables, amongst other things, clamping ranges of 3-6 mm, 6-9 mm, 9- 3 mm and 13-16 mm, whereby the gel adjusts perfectly to the surface contours of the cable. A particularly high protection rating is thus achieved. The gel membrane remains closed, even if fewer cables are installed than is possible.



# SKINTOP® MULTI

SKINTOP® MULTI makes an impression with its compact design and space-saving arrangement on the control cabinet. Due to the multi-cable entry system, the fitter can easily, quickly and flexibly insert up to 22 round cables with very various diameters as well as AS-I Bus cables.

For this purpose, the innovative, elastic gel membrane is pierced and the cable that is to be installed is inserted. The use of the

gel technologies enables large clamping ranges of 4 mm. This substantially reduces the diversity of types and simplifies selection and documentation.

The elastic gel insert forms the seal between the cable and housing, by which means a high protection rating of IP 68 and optimum strain relief on the entire cable bundle is achieved, in order to ensure secure cable entry.

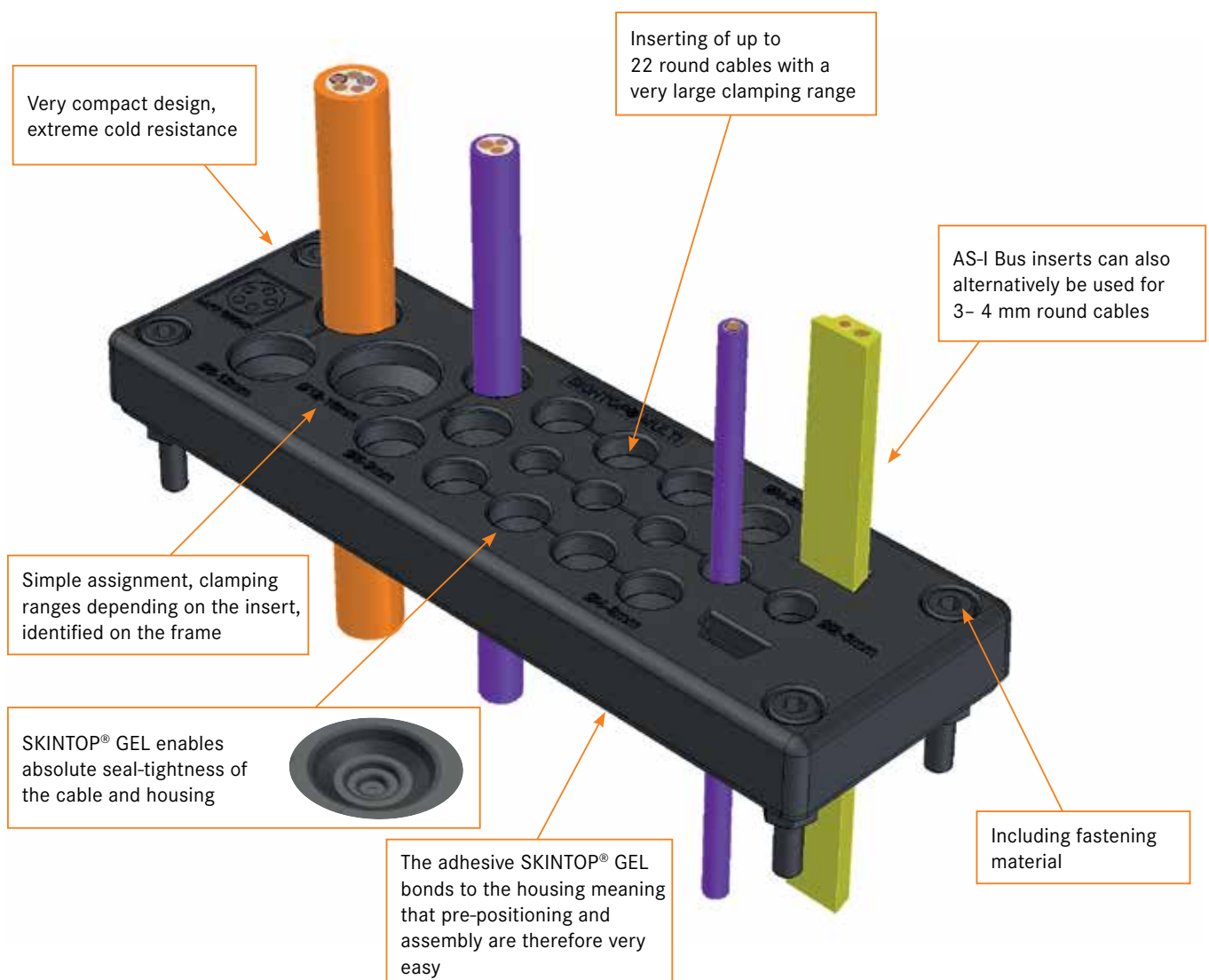


You can find further information at:



# SKINTOP® MULTI: all advantages at a glance

- Extremely compact construction, one component with integrated sealing function
- Innovative SKINTOP® gel technology for large clamping ranges
- Self-explanatory – clear assignment of the cable diameters
- Inserting of up to 22 round cables (from 2 mm to 16 mm) and 2 AS-I Bus cables
- The adhesive effect of the gel enables simplified positioning during first assembly
- 1 piece packaging unit
- Halogen-free
- Protection rating IP 68
- Oil, UV and ozone-resistant
- Fire behaviour according to UL94 V-2





# SKINTOP® MULTI



## Benefits

- Large clamping range of 4 mm and AS-I BUS entry system by elastic gel technology with innovative membrane technology
- Easy assembly with high packing density
- Optimum strain relief at the entire cable bundle
- Error reduction through clear assignment of the cables to be installed by clear marking of the implementing points
- Unoccupied points remain securely sealed

## Application range

- Used in areas where a lot of cables and wires need to be inserted into housing with minimum space requirements
- For cables that have not been assembled and media conduits
- Control system, control cabinet and apparatus construction
- Automation technology

## Product features

- Integrated seal for the cable & housing (captive)
- Halogen-free
- UV-, ozone and oil-resistant
- The adhesive effect of the gel enables very easy positioning at the housing during assembling

## Norm references / approvals

- UL 508A for SKINTOP® MULTI versions 1 + 2
- UL pending for SKINTOP® MULTI versions 3 + 4

## Design

- For connector mounting cut-outs 24-pin (36 x 112 mm)

## Included in delivery

- SKINTOP® MULTI including mounting material

## Info

- Compact multi-insertion system with innovative gel technology

## Technical data



### Classification

ETIM 5.0 Class-ID: EC000240  
ETIM 5.0 Class-Description:  
Cable entry



### Certifications

UL File No. E349737  
Fire behaviour according to UL94 V-2



### Note

Individual hole configuration on request



### Material

Frame: Polycarbonate  
Seal: Gel



### Protection rating

IP 68



### Temperature range

-30 °C to +100 °C

Article number	Article designation / size	Max. number of executions	Number of cables x clamping range	Pieces / PU
<b>SKINTOP® MULTI</b>				
52220065	SKINTOP® MULTI Version 1	22	6 x 8-12 mm, 16 x 3-7 mm	1
52220073	SKINTOP® MULTI Version 2	21	5 x 2-6 mm, 8 x 4-8 mm, 3 x 5-9 mm, 2 x 8-12 mm, 1 x 12-16 mm, 2 x AS-I BUS oder 2 x 2-4 mm	1
52220080	SKINTOP® MULTI Version 3	30	30 x 2-6 mm	1
52220085	SKINTOP® MULTI Version 4	11	8 x 8-12 mm, 2 x 12-16 mm, 1 x 16-20 mm	1

Photographs are not to scale and do not represent detailed images of the respective products.

## Similar products

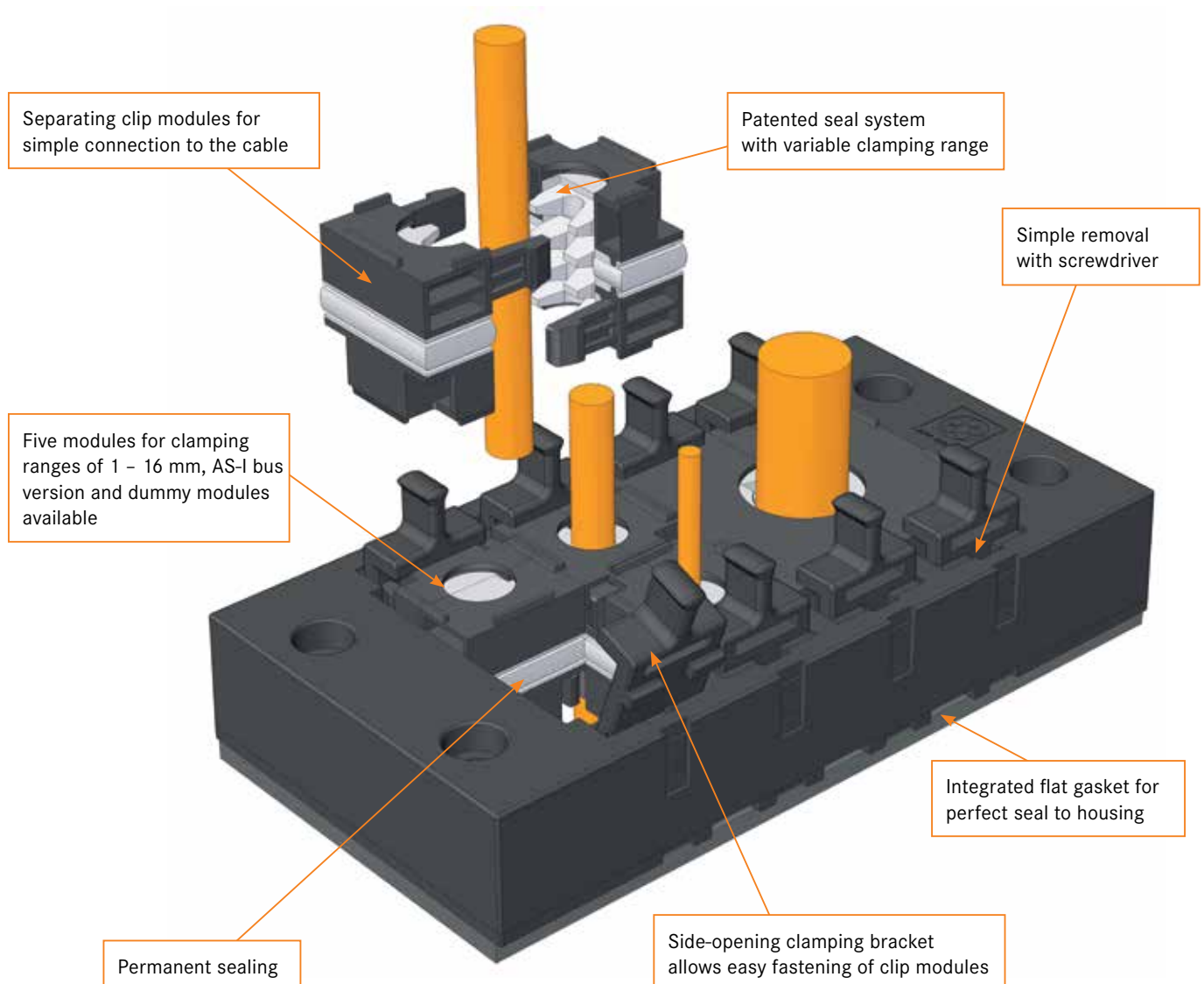
- SKINTOP® CUBE MULTI

## Accessories

- SKINTOP® DIX-DV
- Kraftform Kompakt® 10

# SKINTOP® CUBE: All benefits at a glance

- Few parts due to large, variable clamping ranges
- Easy assembly and removal
- No special tools, sealants or lubricants required
- Assembly cables can be removed individually without disassembling the frame
- Secure strain relief
- Permanent vibration protection
- Frame can be assembled from both inside and outside
- Protection rating IP 64, NEMA 12
- Resists oils, greases, UV radiation and ozone
- UL approval for the American market



# SKINTOP® CUBE



## Benefits

- Variable clamping range
- Vibration-safe module fixation
- Strain relief
- Oil resistance
- Simplified servicing due to easy assembling and disassembling

## Application range

- For installation of harnessed cables
- Used in areas where a lot of cables and wires need to be inserted into housings with minimum space requirements
- Apparatus and switch cabinet construction
- Electronic installations
- Automation technology

## Norm references / Approvals

- UL File Nr. E349737

## Product Make-up

- The SKINTOP® CUBE system consists of the SKINTOP® CUBE FRAME and the clip modules SKINTOP® CUBE MODULE.
- For cut-outs for industrial connectors with standard defined boreholes.
- For cut-outs for 16-pin industrial connectors (36 x 86 mm)
- For cut-outs for 24-pin industrial connectors (36 x 112 mm)

## Note

- SKINTOP® CUBE MODULE 20x20 BLIND can be used as a blind module and for clamping ranges 1 - 3 mm

## Included

- Including mounting material

## Info

- Innovative multi-cable bushing system with variable clamping ranges for high flexibility in assembling
- When disassembling, the frame can remain on the housing and the plug-in module remains securely on the cable

## Technical data



### Classification

ETIM 5.0 Class-ID: EC000240  
ETIM 5.0 Class-Description: Cable entry



### Certifications

UL File Nr. E349737  
Fire behaviour according to UL94 V-2



### Material

Frame: glass fibre-reinforced polyamide  
Frame seal: CR  
Clip module: special polypropylene  
Clip module seal: LSE 2



### Protection rating

IP 64



### Temperature range

Dynamic: -20°C up to +80°C  
Static: -40°C up to +80°C

Article number	Article designation / size	Clamping range ØF (mm)	Max. number of executions	Pieces / PU
<b>SKINTOP® CUBE Frame</b>				
52220000	SKINTOP® CUBE FRAME 16		8	1
52220001	SKINTOP® CUBE FRAME 24		10	1
<b>SKINTOP® CUBE clip modules</b>				
52220004	SKINTOP® CUBE MODULE 20x20 BLIND	1 - 3		5
52220002	SKINTOP® CUBE MODULE 20x20 SMALL	4 - 6		5
52220003	SKINTOP® CUBE MODULE 20x20 LARGE	6 - 9		5
52220040	SKINTOP® CUBE MODULE 20x20 AS-I BUS			5
52220005	SKINTOP® CUBE MODULE 40x40 SMALL	9 - 12		5
52220006	SKINTOP® CUBE MODULE 40x40 LARGE	12 - 16		5
52220007	SKINTOP® CUBE MODULE 40x40 BLIND			5

Photographs are not to scale and do not represent detailed images of the respective products.

## Similar products

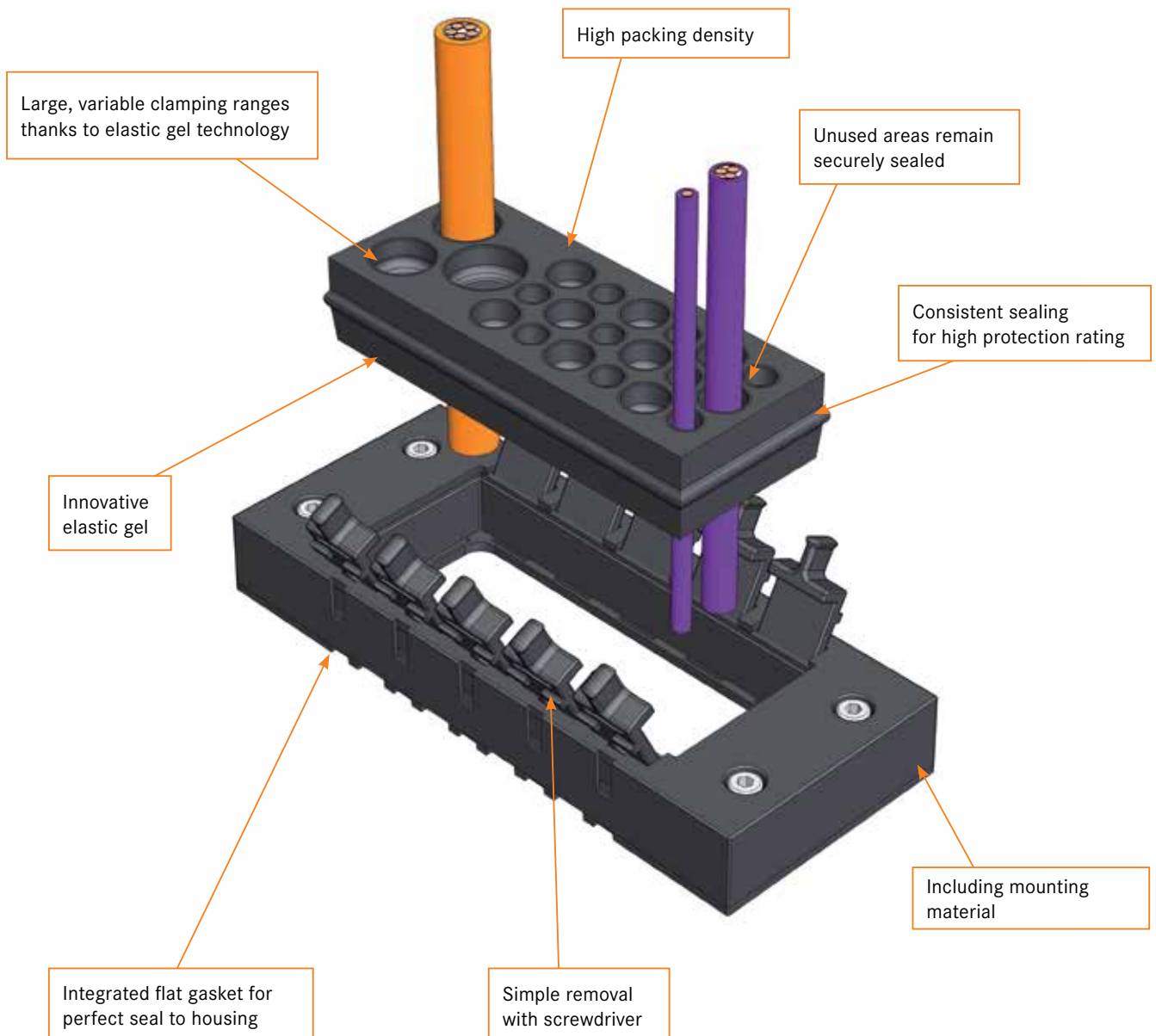
- SKINTOP® CUBE MULTI
- SKINTOP® MULTI

## Accessories

- Kraftform Kompakt® 10

# SKINTOP® CUBE MULTI: All benefits at a glance

- Multi-cable entry system for high packing density
- Innovative SKINTOP® gel membrane technology
- Large, variable clamping ranges thanks to elastic gel technology
- Enormous savings potential thanks to quick installation/reconfiguration
- Optimum strain relief on the entire cable bundle
- SKINTOP® CUBE FRAME can remain fixed to the housing during dismantling
- Protection rating IP 66
- Oil, UV and ozone-resistant
- Fire behaviour according to UL94 V-2





# SKINTOP® CUBE MULTI



## Benefits

- Large, variable clamping ranges due to elastic gel technology
- Easy installation, high packing density
- Optimum strain relief at the entire cable bundle
- Simplified servicing due to easy assembling and disassembling
- Not used holes remain securely sealed

## Application range

- Used in areas where a lot of cables and wires need to be inserted into housings with minimum space requirements
- For not harnessed cables and media hoses
- Apparatus and switch cabinet construction
- Automation technology

## Product features

- **SKINTOP® CUBE MULTI Version 1**  
**Number of cable bushings:**  
 9 x 3-6 mm clamping range  
 9 x 6-9 mm clamping range  
 2 x 9-13 mm clamping range  
 1 x 13-16 mm clamping range

- **SKINTOP® CUBE MULTI Version 2**  
**Number of cable bushings:**  
 23 x 5-8 mm clamping range

## Product Make-up

- The system consists of SKINTOP® CUBE FRAME and a gel insert SKINTOP® CUBE MULTI.
- Removal of the gel insert by opening the holder
- For cut-outs for 24-pin industrial connectors (36 x 112 mm)

## Note

- For better strain relief, the cable bundle can be fixed with help of a cable tie

## Included

- Including mounting material

## Info

- Push the cable through the gel membrane and connect directly
- Huge potential of savings through quick installation

## Technical data



### Classification

ETIM 5.0 Class-ID: EC000240  
 ETIM 5.0 Class-Description: Cable entry system



### Certifications

UL pending  
 Fire behaviour according to UL94 V-2



### Note

Individual hole configuration on request



### Material

Frame: Glass fiber reinforced polyamide  
 Frame seal: CR  
 Gel insert: PC / Gel



### Protection rating

IP 66



### Temperature range

-30°C to +100°C

Article number	Article designation / size	Max. number of executions	Number of cables x clamping range	Pieces / PU
<b>SKINTOP® CUBE MULTI</b>				
52220057	SKINTOP® CUBE MULTI Version 2 incl. frame	23	23 x 5-8 mm	1
<b>SKINTOP® CUBE MULTI Gel-insert incl. frame</b>				
52220056	SKINTOP® CUBE MULTI Version 1 incl. frame	21	9 x 3-6 mm; 9 x 6-9 mm; 2 x 9-13 mm; 1 x 13-16 mm	1
<b>SKINTOP® CUBE MULTI Gel-insert</b>				
52220050	SKINTOP® CUBE MULTI Version 1	21	9 x 3-6 mm; 9 x 6-9 mm; 2 x 9-13 mm; 1 x 13-16 mm	1
52220053	SKINTOP® CUBE MULTI Version 2	23	23 x 5-8 mm	1
<b>SKINTOP® CUBE Frame</b>				
52220001	SKINTOP® CUBE FRAME 24			1

Photographs are not to scale and do not represent detailed images of the respective products.

## Similar products

- SKINTOP® CUBE
- SKINTOP® MULTI

## Accessories

- Kraftform Kompakt® 10

# SKINTOP® CUBE SORTIMO® T-BOXX



## Benefits

- Variable clamping range
- Vibration-safe module fixation
- Strain relief
- Oil resistance
- Simplified servicing due to easy assembling and disassembling

## Application range

- For installation of harnessed cables
- Used in areas where a lot of cables and wires need to be inserted into housings with minimum space requirements
- Apparatus and switch cabinet construction
- Electronic installations
- Automation technology

## Product features

- Optimal order in the practical SORTIMO® T-BOXX
- Small packaging unit, wide variety
- Light and robust, shock- and impact-resistant polypropylene case
- Two sturdy locks - ideal for mounting use e.g. building site

## Product Make-up

- The SKINTOP® CUBE system consists of the SKINTOP® CUBE FRAME and the clip modules SKINTOP® CUBE MODULE.
- For cut-outs for 16-pin industrial connectors (36 x 86 mm)
- For cut-outs for 24-pin industrial connectors (36 x 112 mm)

## Included

- SKINTOP® CUBE FRAME including mounting material
- Delivery in SORTIMO® T-BOXX
- Assembly instructions
- Screwdriver
- SKINTOP® CUBE FRAME 16  
2 Pcs. (PN 52220000)
- SKINTOP® CUBE FRAME 24  
2 Pcs. (PN 52220001)
- SKINTOP® CUBE MODULE 20x20 BLIND  
5 Pcs. (PN 52220004)
- SKINTOP® CUBE MODULE 20x20 SMALL  
5 Pcs. (PN 52220002)
- SKINTOP® CUBE MODULE 20x20 LARGE  
5 Pcs. (PN 52220003)
- SKINTOP® CUBE MODULE 20x20 AS-I BUS  
5 Pcs. (PN 52220040)
- SKINTOP® CUBE MODULE 40x40 SMALL  
5 Pcs. (PN 52220005)
- SKINTOP® CUBE MODULE 40x40 LARGE  
5 Pcs. (PN 52220006)
- SKINTOP® CUBE MODULE 40x40 BLIND  
5 Pcs. (PN 52220007)

## Info

- Innovative multi-cable bushing system with variable clamping ranges for high flexibility in assembling.
- When disassembling, the frame can remain on the housing and the plug-in module remains securely on the cable.
- Optimal order in the practical SORTIMO® T-BOXX

## Technical data



### Classification

ETIM 5.0 Class-ID: EC000240  
ETIM 5.0 Class-Description: Cable entry



### Certifications

UL File Nr. E349737  
Fire behaviour according to UL94 V-2



### Material

Frame: glass fibre-reinforced polyamide  
Frame seal: CR  
Clip module: special polypropylene  
Clip module seal: LSE 2



### Protection rating

IP 64



### Temperature range

Dynamic: -20°C up to +80°C  
Static: -40°C up to +80°C

Article number	Article designation / size	Pieces / PU
<b>SKINTOP® CUBE SORTIMO® T-BOXX</b>		
53110031	SKINTOP® CUBE SORTIMO® T-BOXX	1

Photographs are not to scale and do not represent detailed images of the respective products.

## Accessories

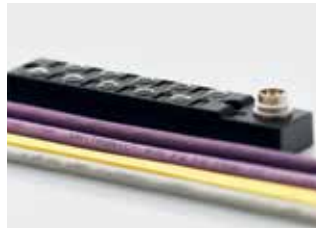
- Kraftform Kompakt® 10
- FLEXIMARK® LB-10 W

# Eight brands, one promise: uncompromising quality



**ÖLFLEX®**  
Power and control cables

ÖLFLEX® has become synonymous with power and control cables. Our flexible and oil-resistant cables satisfy the highest demands and can withstand even the very toughest conditions.



**UNITRONIC®**  
Data communication systems

Our high-quality UNITRONIC® data network cables and field bus components provide a forward-looking solution for all applications in industrial machinery and plant engineering. From transmission of simple control signals to field bus signals in complex network structures - we offer a dependable cabling and connection solution for almost every situation.



**ETHERLINE®**  
Data communication systems  
for ETHERNET technology

Our ETHERLINE® branded products open up a secure, fast and reliable path to the future of Ethernet applications. The systems are made up of durable and robust cables and connection components for passive network technology, and deliver an effective solution for almost any application, particularly in an industrial environment.



**HITRONIC®**  
Optical transmission systems

HITRONIC® fibre optic cables make transmitting large data volumes easy: fault free, bug proof and at almost light speed. Even electro-magnetic radiation does not interfere with the transmission. The HITRONIC® range includes the ideal solution for indoor or outdoor use, for demanding conditions, and even for use in power chains.



**EPIC®**  
Industrial connectors

EPIC® industrial connectors can be found everywhere in industrial machinery and plant engineering, for measuring, control and drives. EPIC® is a flexible system of housings, inserts and contacts: all extremely robust, absolutely safe and simplicity itself to assemble.



**SKINTOP®**  
Cable glands

Simply feed in the cable and twist. That's it. Our SKINTOP® cable glands provide secure connections in no time. The universal systems are simple but effective. They secure and centre the cable, hermetically seal it and guarantee optimum strain relief.



**SILVYN®**  
Protective cable conduit systems  
and cable carrier systems

The universal range of SILVYN® protection and guidance systems protect cables effectively against dust, moisture, mechanical, thermal and chemical influences. The versatile SILVYN® CHAIN range of energy supply chains also protects and guides cables in dynamic applications.



**FLEXIMARK®**  
Marking systems

The requirement: permanent marking. The solution: FLEXIMARK®. These sophisticated systems mean that a clear overview inside a control cabinet is no longer just a pipe dream. From simple labels for manual marking through to electronic markings, the FLEXIMARK® range is guaranteed to be permanent.



**ÖLFLEX®**  
Power and control cables



**UNITRONIC®**  
Data communication systems



**ETHERLINE®**  
Data communication systems  
for ETHERNET technology



**HITRONIC®**  
Optical transmission systems



**EPIC®**  
Industrial connectors



**SKINTOP®**  
Cable glands



**SILVYN®**  
Protective cable conduit systems  
and cable carrier systems



**FLEXIMARK®**  
Marking systems

Follow the Lapp Group on



**Terms of Trade:**

Our general conditions of sale  
can be downloaded from our website  
[www.lappgroup.com/terms](http://www.lappgroup.com/terms)



[www.lappgroup.com](http://www.lappgroup.com)

To contact your local Lapp Group representative,  
please visit [www.lappgroup.com/worldwide](http://www.lappgroup.com/worldwide)