

**NEW!**

# SKINTOP® CUBE

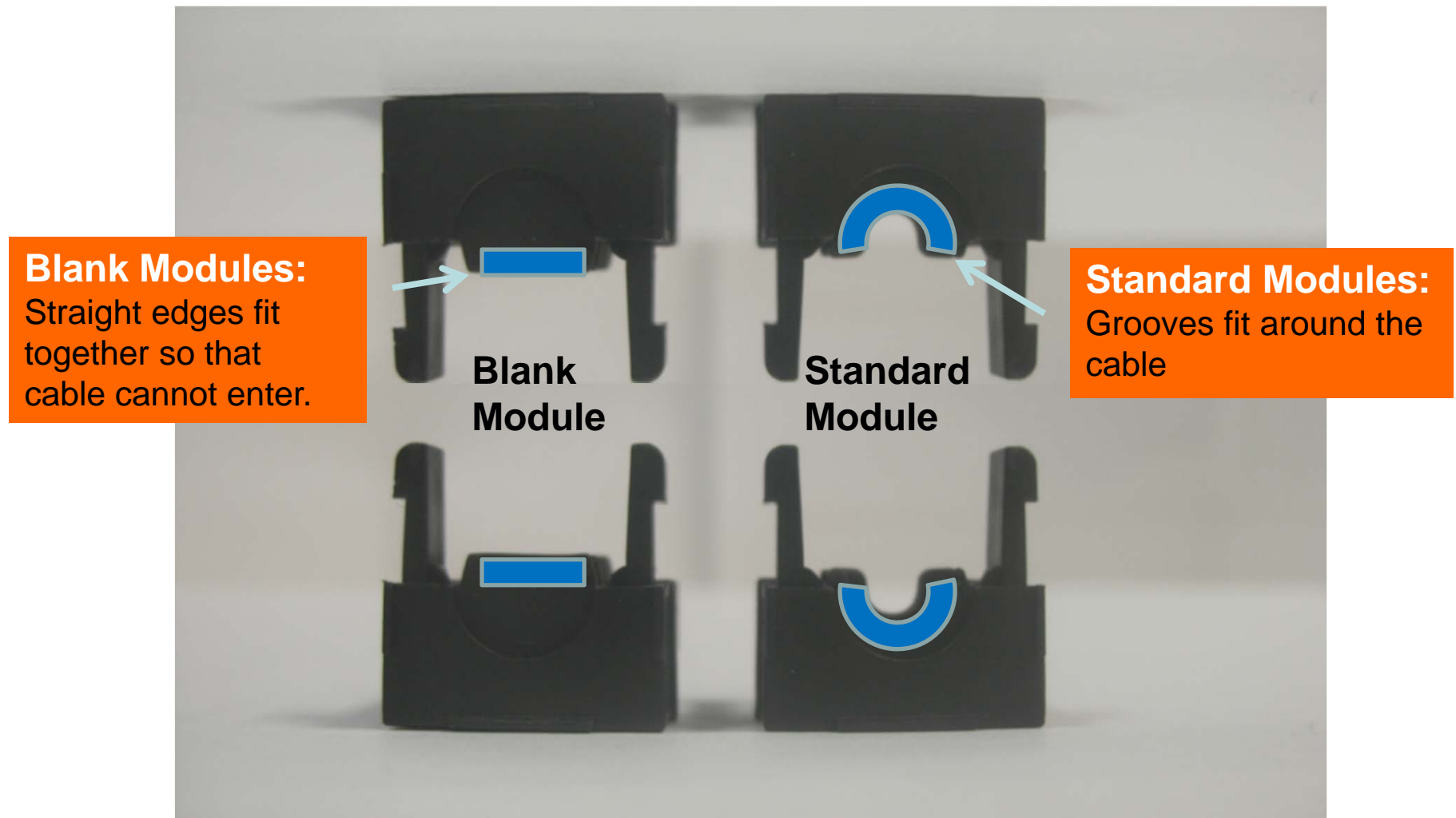
Simple. Flexible. Safe.



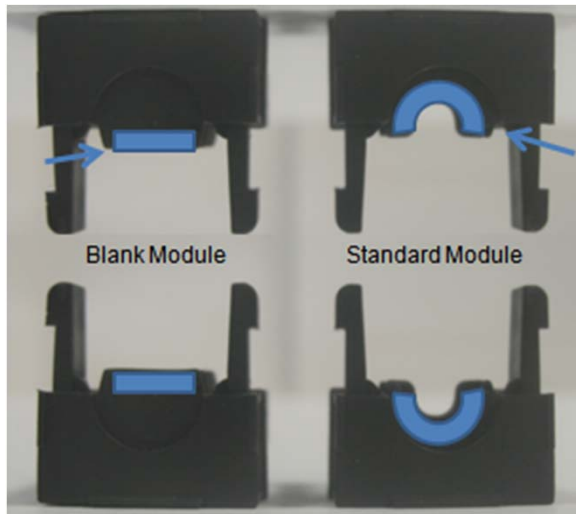
Installation Tips

# Installation Tips

2 styles of SKINTOP® CUBE modules



# Installation Tips

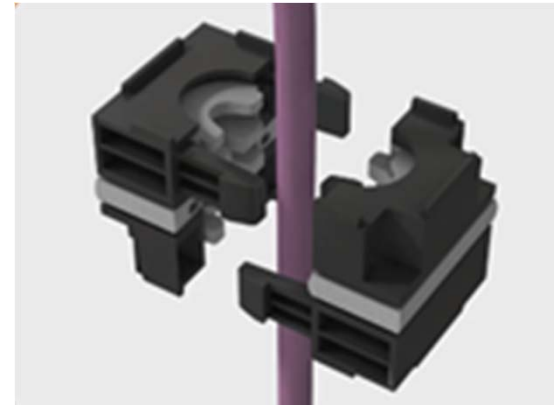


Blank modules are **NOT** intended to be opened after closing

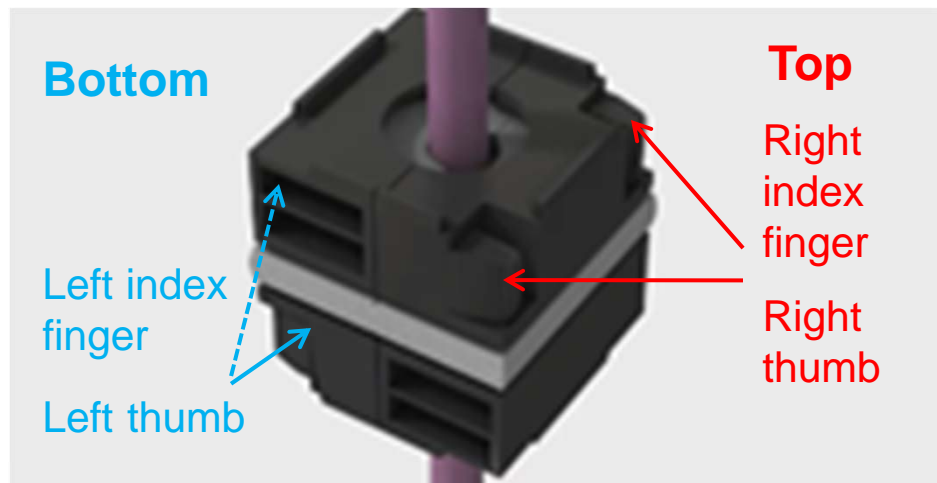
Be sure a cable is always inside the standard module when closing the 2 halves

# Installation Tips

To close, simply snap 2 module pieces together around the cable



To open, **press the 2 tabs** on the **top and bottom** at the same time with both thumbs and index fingers



(Make sure the module is fully closed with no gaps – you will hear a click)

# Installation Tips

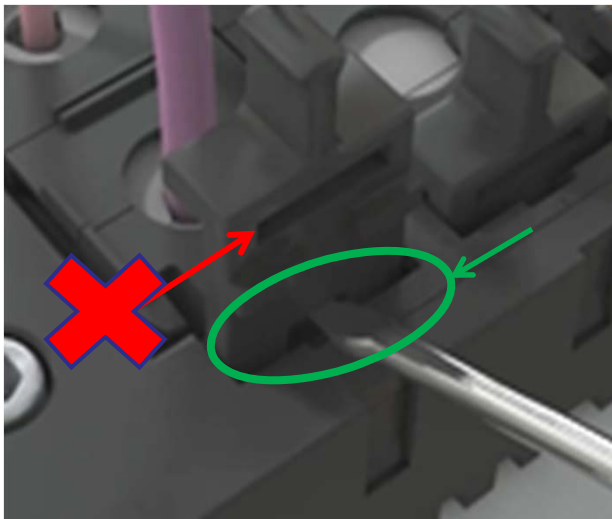
---

- Move the side clips up and to the side when inserting the modules
- Using the pressure of your thumbs, push the modules flat within the frame
- Once the modules are inside, push the side clips down



## Repair Tips

To remove a module, insert the screwdriver **below** the large clip slot



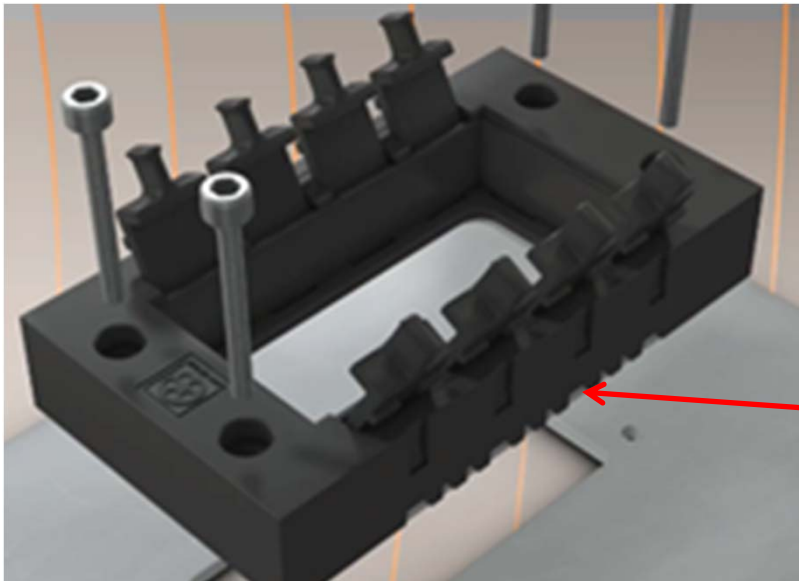
Do **NOT** insert the screwdriver into the large top slot. This can cause the side clip to come out

- Using your thumbs, push the module out from underneath

# Repair Tips

To fix clips that are accidentally pulled out:

- Unscrew the panel from the frame
- Insert the screwdriver into the bottom side of the frame
  - Lift to remove the top frame layer
- Insert the clip back in the frame and reattach the top frame layer



To reinsert clips, insert screwdriver here and lift