

# OLFLEX® CABLE TRACK

## Example # 1

**Known:** Components: 3 - Cables  
Type of Mounting: **Center**

1 - .550" PVC Tube (.500" Inside Diameter)  
Travel Length (**Ls**): 8 feet, convert feet into inches: 8' \* 12= 96"

Item #	Part Number	Quantity (#)	Nominal Diameter	Min. Radius Factor	Min. Radius	Clearances Fator - Min.	Min. Clearance	Weight (Lbs./ft)
1	26254	1	.594"	7.5 x cable diameter	4.45"	1.10%	.653"	.27
2	6001	1	.475"	14 x cable diameter	6.65"	1.10%	.522"	.14
3	891407	1	.602"	7.5 x cable diameter	4.50"	1.10%	.622"	.22
4	PVC Tube	1	.550"	5 x tube diameter	2.75"	1.20%	.660"	.20
5	Dividers - Vert.	1	.100"				.100"	
<b>Total:</b>							<b>2.557"</b>	<b>.83 lbs./ft</b>

**Inside Height (20% Max.):** .602" x 1.20% = .722"

Min Radius: 6.65"      Min. Clearance: 2.557"      Weigth: .83 lbs/ft  
 Inside Width: 3.07"      Outside Width: 3.78"      Inside Heigth: 1.02"  
 Track chosen: 455.30.078.709      Bend Radius: 7.09"  
 Outside Heigth: 1.42"

**Center Mounting (CM):**

**CM:** (Ls / 2) + Lb (Loop Length)

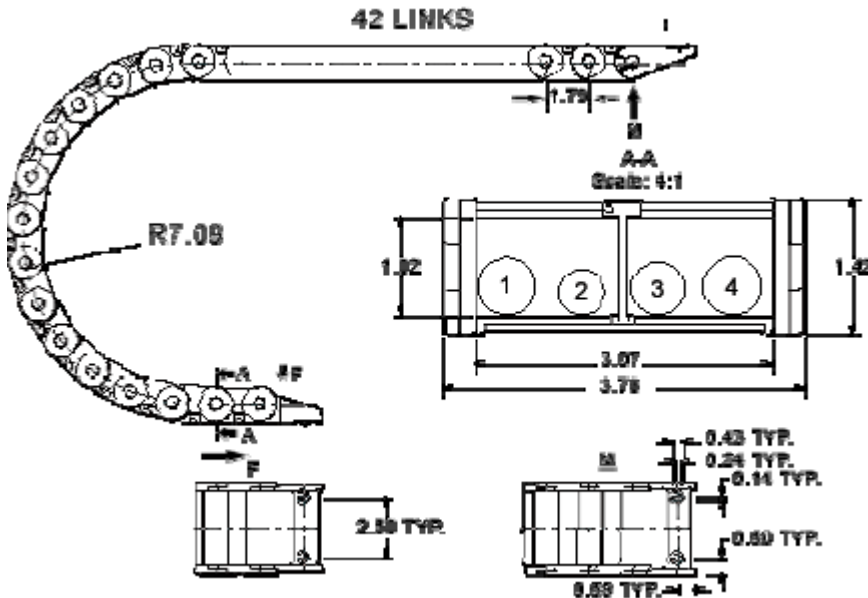
**# of links = CM / t (Link Length)**

**Formula**

= (96" / 2) + 25.87" = 73.87"

= 73.87" / 1.79" = 41.26 (round up) = 42 links

**Order Track Part Number:** 455.30.078.709 x 42 links + 1 set (brackets) + 21 dividers vert



**LAPP GROUP**

**LAPP USA**

29 Hanover Road  
Florham Park, NJ 07932  
800-774-3539  
www.lappusa.com

**LAPP CANADA**

3505 Laird Road, Unit 10  
Mississauga, Ontario L5L 5Y7  
877-799-5277  
www.lappcanada.com

**LAPP MEXICO**

Metalurgia 2730  
Alamo Industrial, C.P. 44490  
800-024-5277  
www.lappmexico.com

# OLFLEX® CABLE TRACK

## Example # 3

**Known:** Components: 8 - Cables

2 - .650" Air lines

Type of Mounting: **Center**

Travel Length (**Ls**): 9 feet, convert feet into inches: 9' \* 12= 108"

Item #	Part Number	Quantity (#)	Nominal Diameter	Min. Radius Factor	Min. Radius	Clearances Fator - Min.	Min.	Weight
							Clearance	(Lbs./ft)
1	27567	4	.571"	5 x cable diameter	2.85"	1.10%	.628 x 4 = 2.512"	.20 x 4 = .80
2	891805CY	2	.441"	10 x cable diameter	4.41"	1.10%	.485 x 2 = .970"	.13 x 2 = .26
3	890804	2	<b>.736"</b>	7.5 x cable diameter	<b>5.52"</b>	1.10%	.809 x 2 = 1.619"	.48 x 2 = .96
4	Air lines	2	.650"	5 x air line diameter	3.25"	1.20%	.780 x 2 = 1.560"	.50 x 2 = 1.0
5	Dividers - Vert.	9	.120"				.120 x 9 = 1.080"	
<b>Total:</b>							<b>7.741"</b>	3.02 lbs./ft

Inside Height (20% Max.): .736" x 1.20% = **.883"**

Min Radius: 5.52"

Min. Clearance: 7.741"

Weight: 3.02 lbs/ft

Inside Width: 7.87"

Outside Width: 8.93"

Inside Height: 1.73"

Track chosen: 655.30.200.787

Outside Height: 2.36"

**Center Mounting (CM):**

**CM: (Ls / 2) + Lb (Loop Length)**

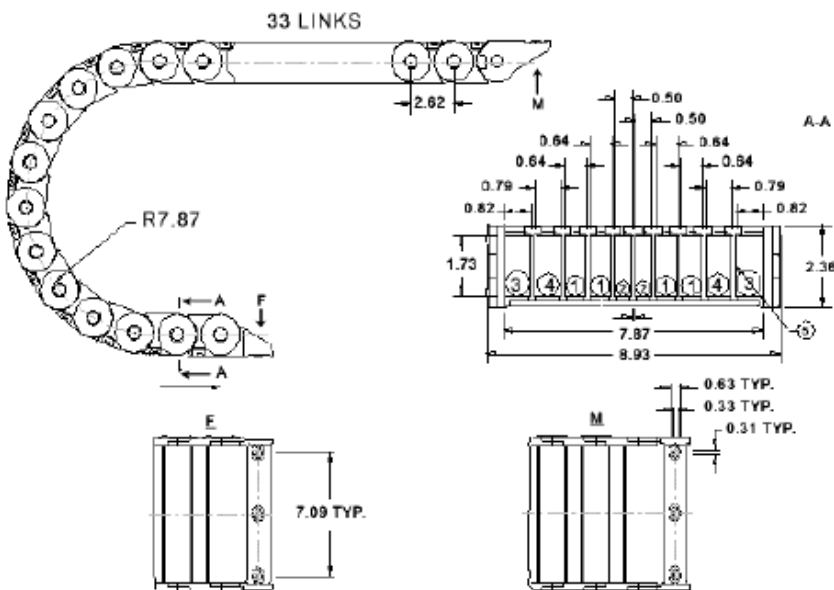
**# of links = CM / t (Link Length)**

**Formula**

= (108" / 2) + 30" = 84"

= 84" / 2.62" = 32.06 (round up) = 33 links

**Order Track Part Number:** 655.30.200.787 x 33 links + 1 set (brackets) + 153 dividers vert



**LAPP USA**  
 29 Hanover Road  
 Florham Park, NJ 07932  
 800-774-3539  
 www.lappusa.com

**LAPP CANADA**  
 3505 Laird Road, Unit 10  
 Mississauga, Ontario L5L 5Y7  
 877-799-5277  
 www.lappcanada.com

**LAPP MEXICO**  
 Metalurgia 2730  
 Alamo Industrial, C.P. 44490  
 800-024-5277  
 www.lappmexico.com

# OLFLEX® CABLE TRACK

## Example # 4

**Known:** Components: 8 - Cables

2 - .650" Air lines

Type of Mounting: **Center**

Travel Length (**Ls**): 9 feet, convert feet into inches: 9' \* 12= 108"

Item #	Part Number	Quantity (#)	Nominal Diameter	Min. Radius Factor	Min. Radius	Clearances Fator - Min.	Min. Clearance	Weight (Lbs./ft)
1	27567	4	.571"	5 x cable diameter	2.85"	1.10%	.628"	.20 x 4 = .80
2	891805CY	2	.441"	10 x cable diameter	4.41"	1.10%	.485"	.13 x 2 = .26
3	890804	2	<b>.736"</b>	7.5 x cable diameter	<b>5.52"</b>	1.10%	.809"	.48 x 2 = .96
4	Air lines	2	.650"	5 x air line diameter	3.25"	1.20%	.780"	.50 x 2 = 1.0
E&F	Dividers - Horz.	5	.160"				.120"	
G	Dividers-Vert.	6	.310"				.310"	
<b>Total:</b>							<b>See Below</b>	3.02 lbs./ft

**Min. Clearance: Vertical** = (1.2 x #1) + (1.2 x #4) + Horz. Divider  
 = (1.2 x .571") + (1.2 x .650") + .160

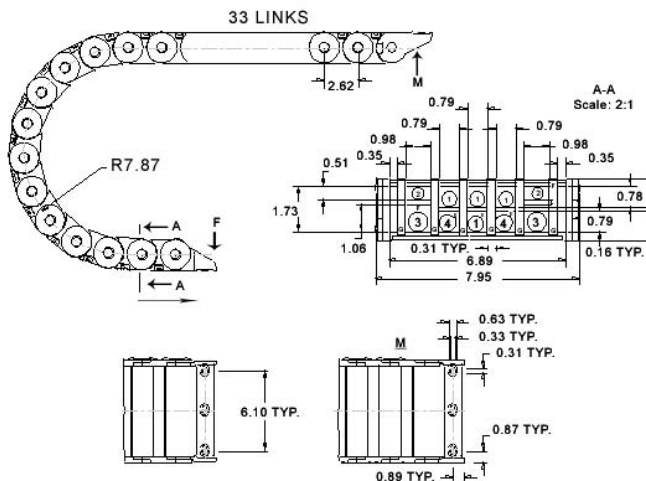
**Horizontal** = (1 x #1) + (2 x #3) + (2 x #4) + (6 \* Vert. Divider)  
 = (1 x .628") + (2 x .809") + (2x .780") + (6 \* .31)  
 =.628" + 1.618" + 1.560 + 1.86" = 5.66"

Min. Radius: 5.52"  
 Inside Width: 6.89"  
 Bend Radius: 7.87"

Weight: 3.02 lbs/ft      Track chosen: 655.30.175.787  
 Outside Width: 7.95"      Inside Height: 1.73"      Outside Height: 2.36"

**Center Mounting (CM):**      **CM: (Ls / 2) + Lb (Loop Length)**      **# of links = CM / t (Link Length)**  
**Formula**      = (108" / 2) + 30" = 84"      = 84" / 2.62" = 32.06 (round up) = 33 links

**Order Track Part Number:** 655.30.175.787 x 33 links + 1 set (brackets) + 85 dividers-horz. + 102 dividers-vert



**LAPP GROUP**

**LAPP USA**  
 29 Hanover Road  
 Florham Park, NJ 07932  
 800-774-3539  
 www.lappusa.com

**LAPP CANADA**  
 3505 Laird Road, Unit 10  
 Mississauga, Ontario L5L 5Y7  
 877-799-5277  
 www.lappcanada.com

**LAPP MEXICO**  
 Metalurgia 2730  
 Alamo Industrial, C.P. 44490  
 800-024-5277  
 www.lappmexico.com

# OLFLEX® CABLE TRACK

## Example # 5

**Known:** Components: 10 - Cables  
Type of Mounting: **Off-Center, 36"**

2 - .725" Hydraulic lines

1 - 600" Air lines

Travel Length (Ls): 10 feet, convert feet into inches: 10' \* 12= 120"

Item #	Part Number	Quantity (#)	Nominal Diameter	Min. Radius Factor	Min. Radius	Clearances Fator - Min.	Min.	Weight
							Clearance	(Lbs./ft)
1	3022134	2	.709"	7.5 x cable Dia.	5.31"	1.10%	.779 x 2 = 1.558"	.31 x 2 = .62
2	891604	3	.362"	7.5 x cable Dia.	2.75"	1.10%	.398 x 3 = 1.194"	.01 x 3 = .03
3	27579	2	.524"	5 x cable Dia.	2.62"	1.10%	.576 x 2 = 1.152"	.19 x 2 = .38
4	Blue Cable	3	.713"	7.5 x Hydraulic Dia.	8.55"	1.10%	.784 x 3 = 2.352"	.38 x 3 = 1.14
5	Air lines	1	.600"		3.00"	1.20%	.720 x 1 = .720"	.50 x 1 = .50
6	Hydraulic lines	2	.725"		5.62"	1.20%	.870 x 2 = 1.740"	.90 x 2 = 1.80
7	Dividers - Vert.	9	.120"				.120 x 9 = 1.08"	
8	Dividers - Horz.	1	.160"					
<b>Total:</b>							<b>9.796"</b>	<b>4.47 lbs./ft</b>

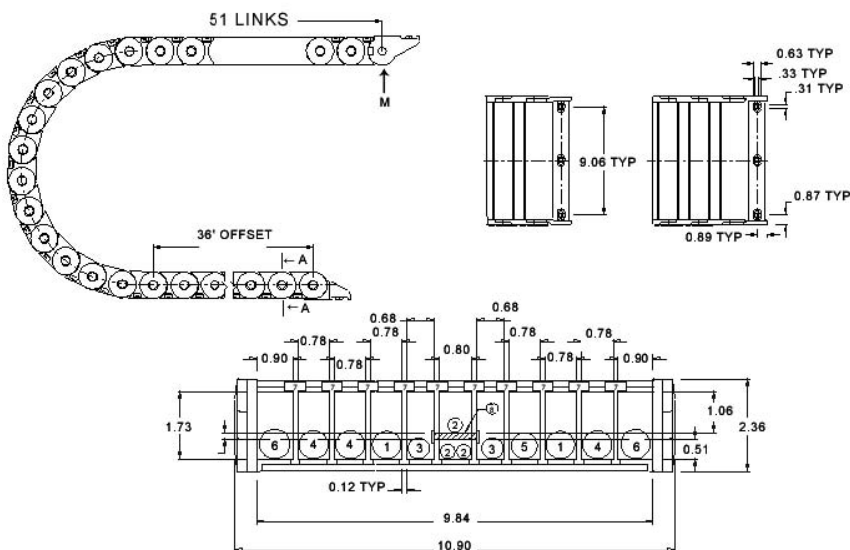
**Min. Clearance:** **Vertical** = 2 Elements \* (1.2 x #2) + Horz. Divider  
= 2 \* (1.20% x .362") + .160" = **1.028"**

Min. Radius: 8.55"  
Inside Width: 9.84"  
Bend Radius: 9.84"

Min Clearance: 9.796"  
Weight: 4.47 lbs/ft  
Outside Width: 10.9"  
Track chosen: 665.30.250.984  
Inside Height: 1.73"  
Outside Height: 2.36"

**Off-Center Mounting (OCM):** **OCM: (Ls / 2) + Off-Center + Lb (Loop Lei# of links = OCM / t (Link Length))**  
**Formula**  
= (120" / 2) + 36" = 36.18" = 132.18" / 2.62"  
= 132.18" = 50.45 (round up) = 51 links

**Order Track Part Number:** 665.30.250.984 x 51 links + 1 set (brackets) + 26 dividers-horz. + 234 dividers-vert.



**LAPP USA**  
29 Hanover Road  
Florham Park, NJ 07932  
800-774-3539  
www.lappusa.com

**LAPP CANADA**  
3505 Laird Road, Unit 10  
Mississauga, Ontario L5L 5Y7  
877-799-5277  
www.lappcanada.com

**LAPP MEXICO**  
Metalurgia 2730  
Alamo Industrial, C.P. 44490  
800-024-5277  
www.lappmexico.com