

EPIC® Pin & Sleeve Connectors

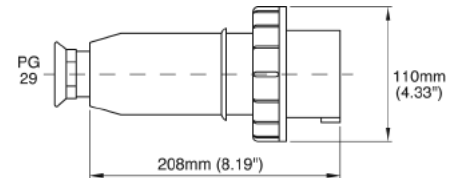
North American 60A & International 63A Dimensional Data

Male Plugs

TECHNICAL DATA:

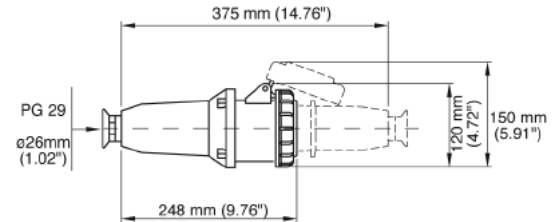
Impact Resistance: 8J
Ambient Temperature: -25°C to +70°C
Flame Resistance:
 Glow Wire Test: Enclosure: 850°C
 Glow Wire Test: Contact Carrier: 960°C
 Self-Extinguishing: Enclosure: UL 94-V2
 Self-Extinguishing: Contact Carrier: UL 94-V0

CEE Series Straight with Cable Gland (IP 67)



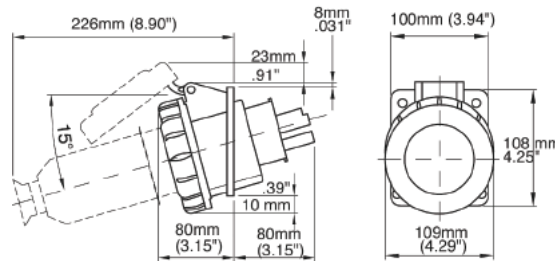
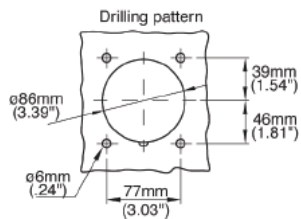
Female Connectors

CEE Series Straight with Cable Gland (IP 67)

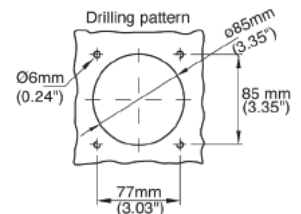
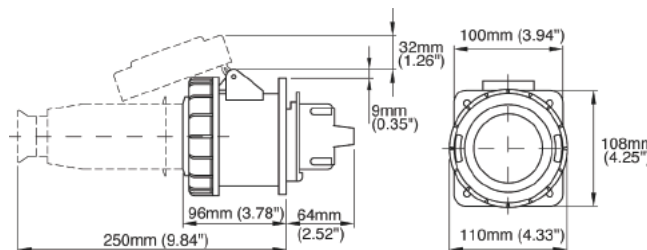


Female Receptacles

CEE Series Angled Panel Mount (IP 67)



CEE Series Straight Panel Mount (IP 67)

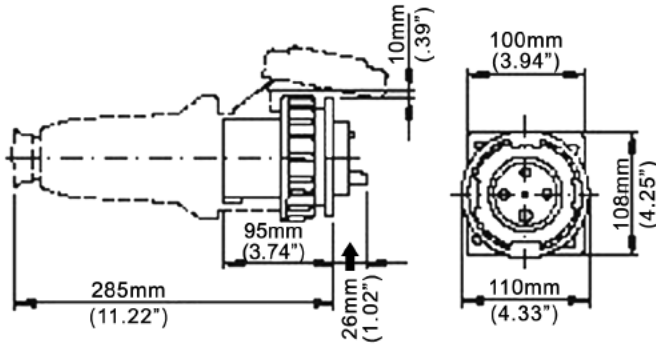


EPIC® Pin & Sleeve Connectors

North American 60A & International 63A Dimensional Data

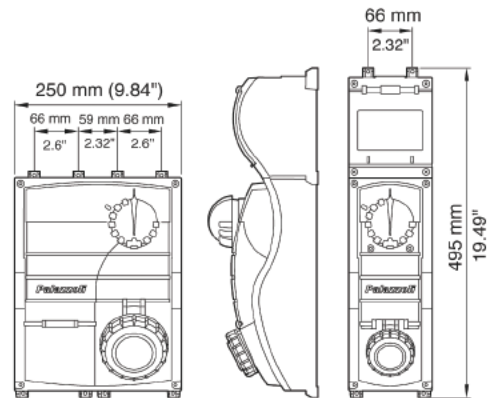
Male Plug Inlets

CEE Series Straight Panel Mount Inlet (IP 67)



Switched Socket Outlets with Mechanical Interlock

ULYSEE Series: Thermoset Plastic Enclosures (IP 66 & IP 67)



ALUPRES Series: Aluminum Enclosures (IP 55)

