

Serie Protection

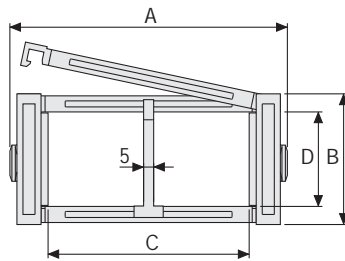
SR309CI/SR309CE

Nylon Protection Cable Chain with openable aluminium covers

Inner height (D) 75,5 mm
Strong double share Sideband & Frame construction with large anti-friction triple-pin.

Covers are openable from inner radius (SR309CI) or from outer radius (SR309CE).

Vertical separators are available.

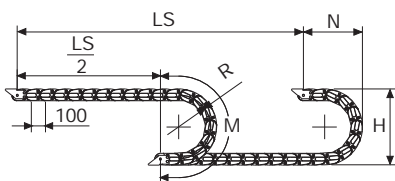


Separator	
- Unassembled	Part.no S309S
- Assembled	Part.no S309SMC
Pin	
	Part.no PG309

Technical characteristics when self-supported

Speed	8 m/s
Acceleration	40 m/s ²

For higher requirements please consult our technical dept.



Length of chain (L)
Half travel distance ($\frac{LS}{2}$)
plus length of curve (M)

$$L = \frac{LS}{2} + M$$

A	B	C	D	R	Weight/m	Chain
mm	mm	mm	mm	mm	kg	Part Number
120	100	64	75,5	200-250-300-350-400-500	4,84	SR309CI(CE)064□□□*
140	100	84	75,5	200-250-300-350-400-500	5,12	SR309CI(CE)084□□□*
165	100	109	75,5	200-250-300-350-400-500	5,47	SR309CI(CE)109□□□*
172	100	116	75,5	200-250-300-350-400-500	5,58	SR309CI(CE)116□□□*
195	100	139	75,5	200-250-300-350-400-500	5,90	SR309CI(CE)139□□□*
235	100	179	75,5	200-250-300-350-400-500	6,47	SR309CI(CE)179□□□*
270	100	214	75,5	200-250-300-350-400-500	6,97	SR309CI(CE)214□□□*
296	100	240	75,5	200-250-300-350-400-500	7,35	SR309CI(CE)240□□□*
320	100	264	75,5	200-250-300-350-400-500	7,68	SR309CI(CE)264□□□*
346	100	290	75,5	200-250-300-350-400-500	8,04	SR309CI(CE)290□□□*
370	100	314	75,5	200-250-300-350-400-500	8,39	SR309CI(CE)314□□□*
396	100	340	75,5	200-250-300-350-400-500	8,74	SR309CI(CE)340□□□*
420	100	364	75,5	200-250-300-350-400-500	9,09	SR309CI(CE)364□□□*
544	100	488	75,5	200-250-300-350-400-500	10,86	SR309CI(CE)488□□□*

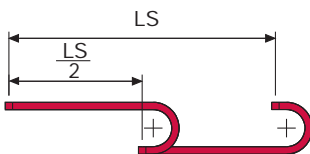
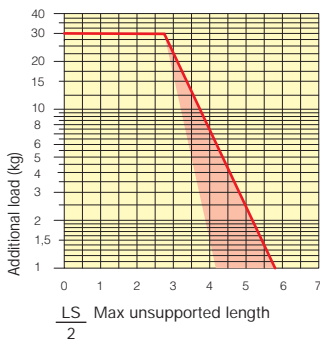
*Complete the code by inserting the value of the radius (R): Ex. SR309CI(CE)116 □ □ □ □

R	H	N	M
mm	mm	mm	mm
200	500	350	830
250	600	400	985
300	700	455	1145
350	800	500	1300
400	900	555	1460
500	1100	650	1770



Self-Supporting Capacity Diagram

The maximum length of the self-supporting capacity ($\frac{LS}{2}$) in relationship to the weight of the cables and hoses contained per linear metre.



The red marking in the diagram area considers the difference of weight between various widths of chains assembled with nylon frames every second pitch.

For applications with $\frac{LS}{2}$ and weights not included in the area of the diagram showing self-supporting capacity, verify the possible use of support rollers (see page 30).

End Brackets

The end brackets set allows the two ends of the chain to be attached to the equipment.

Nylon Type

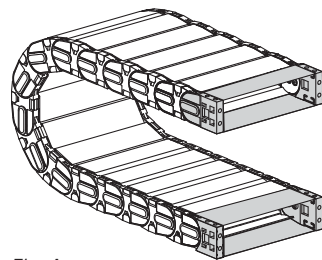


Fig. A
The chain can be fixed frontally, inner or outer radius. (Fig A)

Bright Zinc Plated Steel Type*

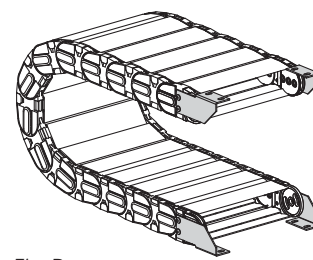
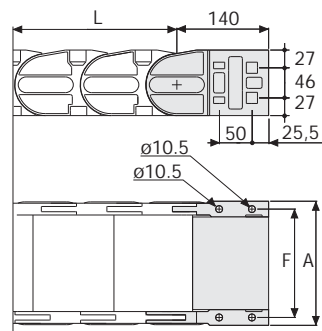


Fig. B
Chain fixed outside the radius. (Fig B)
See end brackets mounting variations page 31.

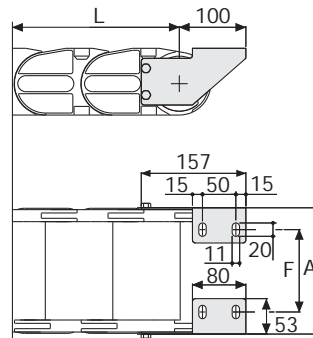


Chain Type	F mm
SR309CI(CE)064	92
SR309CI(CE)084	112
SR309CI(CE)109	137
SR309CI(CE)116	144
SR309CI(CE)139	167
SR309CI(CE)179	207
SR309CI(CE)214	242
SR309CI(CE)240	268
SR309CI(CE)264	292
SR309CI(CE)290	318
SR309CI(CE)314	342
SR309CI(CE)340	368
SR309CI(CE)364	392
SR309CI(CE)488	516

Nylon Type Part Numbers

Complete Set Assembled Chain Type	End Brackets Set
SR309	AN309C□□□KM

Complete Set Unassembled Chain Type	End Brackets Set
SR309	AN309C□□□K



Chain Type	F mm
SR309CI(CE)064	50
SR309CI(CE)084	70
SR309CI(CE)109	95
SR309CI(CE)116	102
SR309CI(CE)139	125
SR309CI(CE)179	165
SR309CI(CE)214	200
SR309CI(CE)240	226
SR309CI(CE)264	250
SR309CI(CE)290	276
SR309CI(CE)314	300
SR309CI(CE)340	326
SR309CI(CE)364	350
SR309CI(CE)488	474

Bright Zinc Plated Steel Type Part Numbers

Complete Set Assembled Chain Type	End Brackets Set
SR309	A309CU□□□KM□**

Complete Set Unassembled Chain Type	End Brackets Set
SR309	A309CU□□□K□**

*Available on request in stainless steel
** 1=Pos.1; 2=Pos.2; 3=Pos.3
See end brackets mounting variations page 31.

Serie Protection

SR309CI SR309CE

Nylon Protection Cable Chain with openable aluminium covers

For further information please consult Brevetti Stendalto's Technical Office