

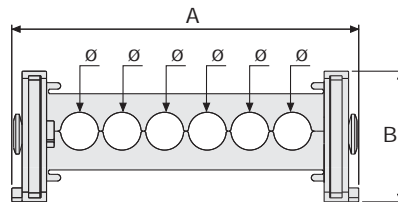
# Serie Sliding

## SR328F

### Nylon Cable Chain

### with un-screwable split cross pieces with holes

Strong double share Sideband & Frame construction with large anti-friction triple-pin. Un-screwable nylon split cross pieces with different hole combinations. The chain incorporates large sliding-skid surfaces to offer durability even, with high speed/loads. As standard the chain comes with frames every link.



Pin	
	Part.no PG328TP

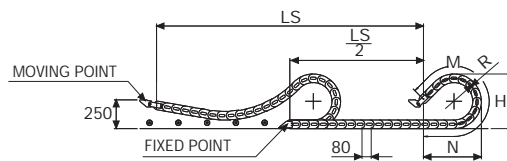
#### Technical characteristics

Speed	3,5 m/s
Acceleration	8 m/s <sup>2</sup>

For higher requirements please consult our technical dept.

A	B	N.	Ø	R	Weight/m	Chain
mm	mm	holes	mm	mm	kg	Part Number
139	79	2	34	150-180-200-230-280-400	2,50	SR328001□□□*
227	79	6	25	150-180-200-230-280-400	2,85	SR328002□□□*
254	79	5	34	150-180-200-230-280-400	3,00	SR328003□□□*
292	79	6	34	150-180-200-230-280-400	3,10	SR328004□□□*
139	79	2+1	28-23	150-180-200-230-280-400	2,50	SR328005□□□*

\*Complete the code by inserting the value of the radius (R): Ex. SR328001 1 3 0



R	H	N	M
mm	mm	mm	mm
150	375	425	955
180	435	530	1220
200	475	600	1395
230	535	700	1655
280	635	875	2095
400	875	1285	3145

Length of chain (L)

Half travel distance ( $\frac{LS}{2}$ )  
plus length of curve (M)

$$L = \frac{LS}{2} + M$$



## End Brackets

The end brackets set allows the two ends of the chain to be attached to the equipment. One set comprises two movable end brackets to install at the moving point and two standard steel end brackets to install at the fixed point.

Bright Zinc Plated Steel Movable Type\* (moving point)      Bright Zinc Plated Steel Type\* (fixed point)

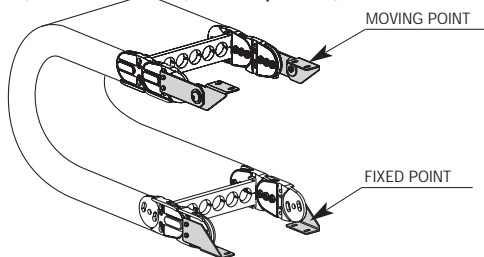
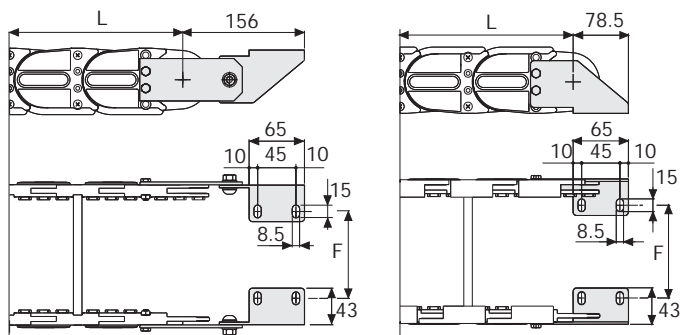


Fig. A  
Chain fixed outside the radius. (Fig A)



Chain Type	F mm
SR328001	64
SR328002	152
SR328003	179
SR328004	217
SR328005	64

## Bright Zinc Plated Steel Type Part Numbers

Complete Set Assembled	
Chain Type	End Brackets Set
SR32800...	A328KM

Complete Set Unassembled	
Chain Type	End Brackets Set
SR32800...	A328K

\*Available on request in stainless steel

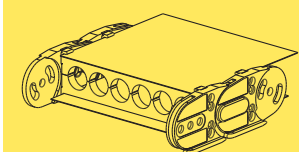
## Serie Sliding

# SR328F

Nylon Sliding Cable Chain  
with un-screwable nylon split cross pieces with holes



3



Steel laminar cover.

Special tool to remove the connecting pivots:  
Part Number PZ038.



For further information please consult Brevetti Stendalto's Technical Office