

Serie Protection

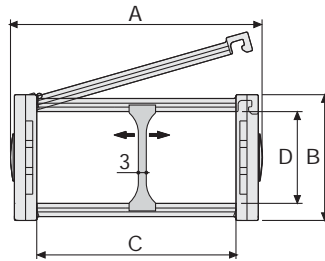
SR435PI/SR435PE Nylon Protection Cable Chain with openable covers

Inner height (D) 35 mm

Sideband & Frame construction with large anti-friction single-pin.

Covers are openable from inner radius (SR435PI) or from outer radius (SR435PE).

Vertical separators are available.



Separator

- Unassembled	Part.no S4353
- Assembled	Part.no S4353MC

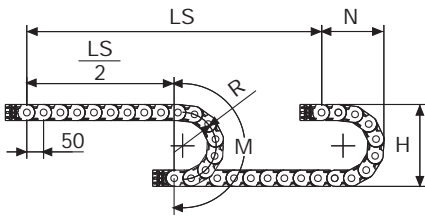
Pin

Part.no PG4353

Technical characteristics when self-supported

Speed	10 m/s
Acceleration	50 m/s ²

For higher requirements please consult our technical dept.



Length of chain (L)

Half travel distance ($\frac{LS}{2}$)
plus length of curve (M)

$$L = \frac{LS}{2} + M$$

A	B	C	D	R	Weight/m	Chain
mm	mm	mm	mm	mm	kg	Part Number
60	49	40	35	075-100-125-150-200	1,25	SR435PI(PE)040□□□*
70	49	50	35	075-100-125-150-200	1,40	SR435PI(PE)050□□□*
80	49	60	35	075-100-125-150-200	1,45	SR435PI(PE)060□□□*
96	49	76	35	075-100-125-150-200	1,60	SR435PI(PE)076□□□*
117	49	97	35	075-100-125-150-200	1,75	SR435PI(PE)097□□□*
123	49	103	35	075-100-125-150-200	1,90	SR435PI(PE)103□□□*
145	49	125	35	075-100-125-150-200	2,10	SR435PI(PE)125□□□*
170	49	150	35	075-100-125-150-200	2,35	SR435PI(PE)150□□□*

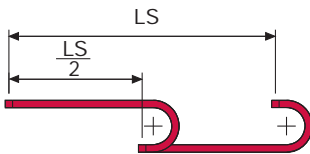
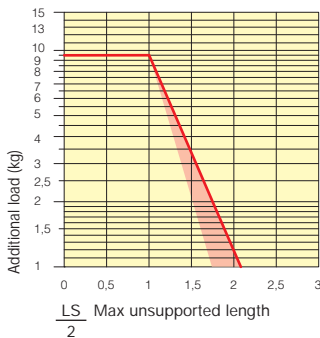
*Complete the code by inserting the value of the radius (R): Ex. SR435PI(PE)040 □ □ □

R	H	N	M
mm	mm	mm	mm
075	199	155	340
100	249	175	415
125	299	200	495
150	349	230	575
200	449	275	730



Self-Supporting Capacity Diagram

The maximum length of the self-supporting capacity ($\frac{LS}{2}$) in relationship to the weight of the cables and hoses contained per linear metre.



The red marking in the diagram area considers the difference of weight between various widths of chain.

For applications with $\frac{LS}{2}$ and weights not included in the area of the diagram showing self-supporting capacity, verify the possible use of support rollers (see page 30).

End Brackets

The end brackets set allows the two ends of the chain to be attached to the equipment. Set complete with tiewrap clamps available on request.

Nylon Type

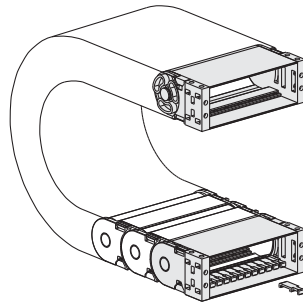


Fig. A
The chain can be fixed frontally, inner or outer radius. (Fig A)

Bright Zinc Plated Steel Type*

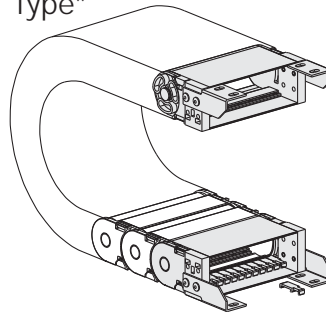
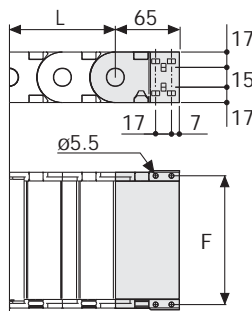


Fig. B
Chain fixed outside the radius. (Fig B)
See end brackets mounting variations page 31.



Chain Type	F mm
SR435PI(PE)040	51
SR435PI(PE)050	61
SR435PI(PE)060	71
SR435PI(PE)076	87
SR435PI(PE)097	108
SR435PI(PE)103	114
SR435PI(PE)125	136
SR435PI(PE)150	161

Nylon Type Part Numbers

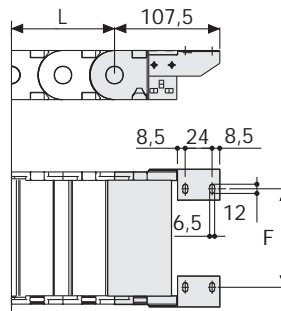
Complete Set Assembled Chain Type	End Brackets Set
SR435...	AN435P□□□*KM

Complete Set Unassembled Chain Type	End Brackets Set
SR435...	AN435P□□□*K

Tiewrap Clamp

Part Number
Assembl. CFC435M□□□*KM
Unassembl. CFC435M□□□*K

* Complete the code by inserting the value of the quote C.



Chain Type	F mm
SR435PI(PE)040	30
SR435PI(PE)050	40
SR435PI(PE)060	50
SR435PI(PE)076	66
SR435PI(PE)097	87
SR435PI(PE)103	93
SR435PI(PE)125	115
SR435PI(PE)150	140

Bright Zinc Plated Steel Type Part Numbers

Complete Set Assembled Chain Type	End Brackets Set
SR435...	A435P□□□KM□**

Complete Set Unassembled Chain Type	End Brackets Set
SR435...	A435P□□□K□**

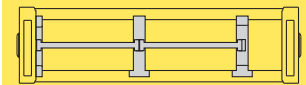
*Available on request in stainless steel
** 1=Pos.1; 2=Pos.2; 3=Pos.3
See end brackets mounting variations page 31.

Serie Protection

SR435PI

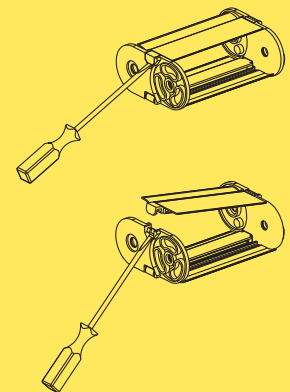
SR435PE

Nylon Protection Cable Chain with openable covers



Separation System
To choose the separators see page. 176

3



How to open the cover.

Special tool to remove the connecting pivots:
Part Number PZ010.



For further information please consult Brevetti Stendalto's Technical Office