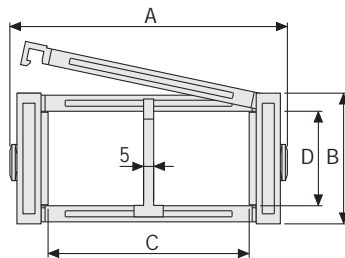


# Serie Sliding

## SR478PI/SR478PE

### Nylon Cable Chain with openable frames

Inner height (D) 75,5 mm  
 Sideband & Frame construction with large anti-friction single-pin.  
 Covers are openable from inner radius (478PI) or from outer radius (478PE).  
 Vertical and horizontal modular separator system are available.



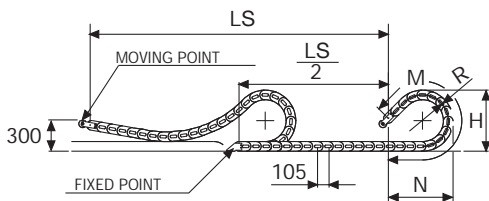
Separator	
- Unassembled	Part.no S309S
- Assembled	Part.no S309SMC
Pin	
	Part.no PG475

#### Technical characteristics

Speed	3 m/s
Acceleration	8 m/s <sup>2</sup>

For higher requirements please consult our technical dept.

A	B	C	D	R	Weight/m	Chain
mm	mm	mm	mm	mm	kg	Part number
112	106,5	74	75,5	180-200-250-300-350-400	4,60	SR478PI(PE)074□□□*
132	106,5	94	75,5	180-200-250-300-350-400	4,80	SR478PI(PE)094□□□*
157	106,5	119	75,5	180-200-250-300-350-400	5,10	SR478PI(PE)119□□□*
164	106,5	126	75,5	180-200-250-300-350-400	5,15	SR478PI(PE)126□□□*
187	106,5	149	75,5	180-200-250-300-350-400	5,40	SR478PI(PE)149□□□*
227	106,5	189	75,5	180-200-250-300-350-400	5,80	SR478PI(PE)189□□□*
262	106,5	224	75,5	180-200-250-300-350-400	6,20	SR478PI(PE)224□□□*
288	106,5	250	75,5	180-200-250-300-350-400	6,50	SR478PI(PE)250□□□*
312	106,5	274	75,5	180-200-250-300-350-400	6,75	SR478PI(PE)274□□□*
338	106,5	300	75,5	180-200-250-300-350-400	7,05	SR478PI(PE)300□□□*
362	106,5	324	75,5	180-200-250-300-350-400	7,30	SR478PI(PE)324□□□*
388	106,5	350	75,5	180-200-250-300-350-400	7,55	SR478PI(PE)350□□□*
412	106,5	374	75,5	180-200-250-300-350-400	7,85	SR478PI(PE)374□□□*
536	106,5	498	75,5	180-200-250-300-350-400	9,20	SR478PI(PE)498□□□*



\*Complete the code by inserting the value of the radius (R): Ex. SR478PI(PE)119 □ □ □

Length of chain (L)  
 Half travel distance ( $\frac{LS}{2}$ )  
 plus length of curve (M)

$$L = \frac{LS}{2} + M$$

R	H	N	M
mm	mm	mm	mm
180	466,5	420	960
200	506,5	495	1135
250	606,5	670	1570
300	706,5	845	2010
350	806,5	1015	2445
400	906,5	1190	2885



## End Brackets

The end brackets set allows the two ends of the chain to be attached to the equipment. One set comprises two movable end brackets to install at the moving point and two standard steel end brackets to install at the fixed point.

Bright Zinc Plated Steel Movable Type\* (fixed point)      Bright Zinc Plated Steel Type\* (moving point)

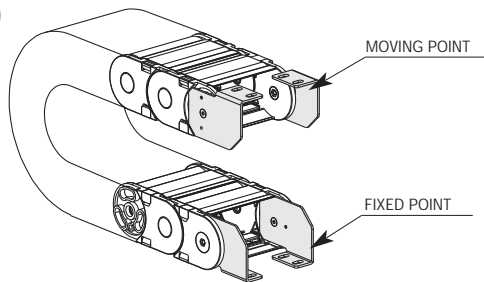
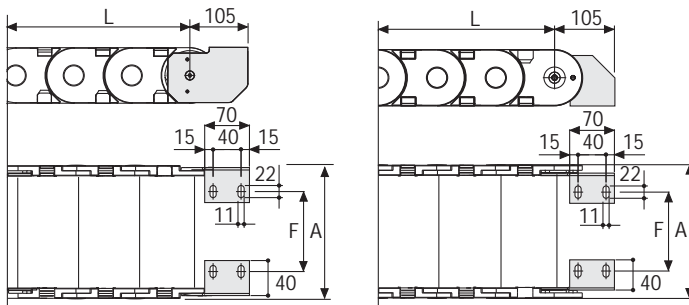


Fig. A  
Chain fixed outside the radius. (Fig A)



Chain Type	F mm
SR478PI(PE)074	35
SR478PI(PE)094	55
SR478PI(PE)119	80
SR478PI(PE)126	87
SR478PI(PE)149	110
SR478PI(PE)189	150
SR478PI(PE)224	185
SR478PI(PE)250	211
SR478PI(PE)274	235
SR478PI(PE)300	261
SR478PI(PE)324	285
SR478PI(PE)350	311
SR478PI(PE)374	335
SR478PI(PE)498	459

## Bright Zinc Plated Steel Type Part Numbers

### Complete Set Assembled

Chain Type	End Brackets Set
SR478PI/PE...	A478P□□□KM

### Complete Set Unassembled

Chain Type	End Brackets Set
SR478PI/PE...	A478P□□□K

### Tiewrap Clamp

Codice
Assembled CFC478□□□*KM
Unassembled CFC478□□□*K

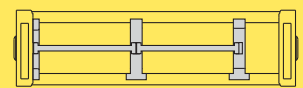
\* Complete the code by inserting the value of the quote C.

## Serie Sliding

# SR478PI

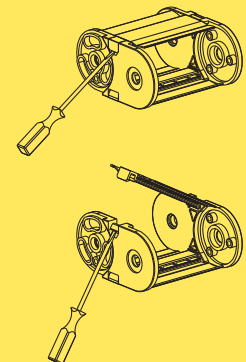
# SR478PE

Nylon Cable Chain with openable frames



Separation System  
To choose the separators see page. 176

3



How to open the cover.

For further information please consult Brevetti Stendaito's Technical Office