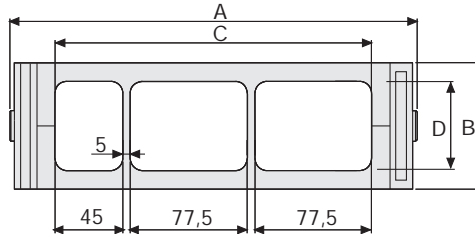


Serie Robot

SR599

Circular Nylon Cable Chain with un-screwable aluminium frames

Inner height (D) 59 mm
 Strong double share Sideband & Frame construction with three single-pins in steel for high torsion resistance.
 Alu-frames are un-screwable from inner and outer radius.

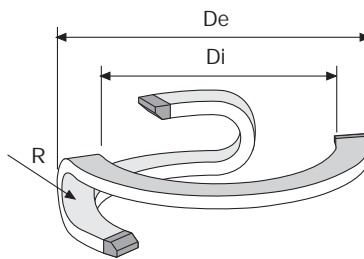


Technical characteristics

Speed	180°/s
Acceleration	180°/s ²

For higher requirements please consult our technical dept.

A	B	C	D	R	Weight/pitch	Chain
mm	mm	mm	mm	mm	kg	Part Number
272	85	210	59	220	0,900	SR599



R	Di	De
mm	mm	mm
220	1400	2000

Length of Chain

Chain	Degrees	No
Part Numbers	of Rotation	of Pitches
SR599	90	14
SR599	180	19
SR599	270	23
SR599	360	28



Version with horizontal separators

Steel End Brackets

The end brackets set, containing two steel plates screwed to the links, allows the two ends of the chain to be attached to the equipment. The end brackets are installed in one position offering the possibility of attaching the chain externally. (Fig. A)

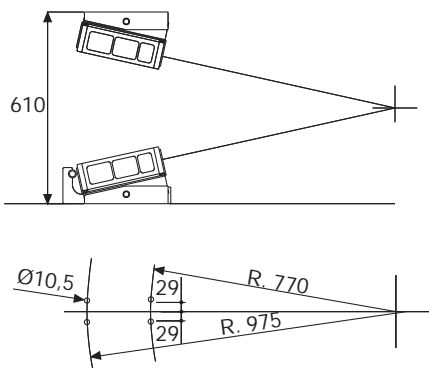


Fig. A

Support Guide

For correct functioning of the chain it is necessary that the installation is done in a specific position.

For this reason Brevetti Stendalto has observed and created a support guide which can do this. (Fig. B)

For particular applications it is possible to create support guides with attachment plates and special dimensions.

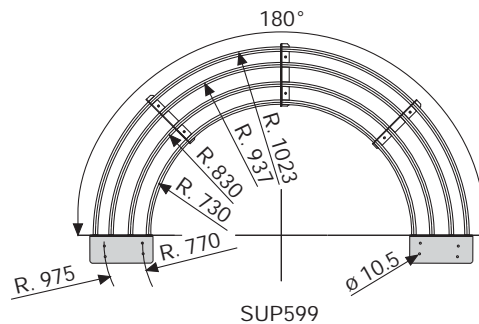


Fig. B

Steel End Brackets Part Numbers

Complete Set Assembled

Chain Type	End Brackets Set
SR599	A599KM

Complete Set Unassembled

Chain Type	End Brackets Set
SR599	A599NK

For applications with rotations exceeding 200° it is necessary to use the appropriate accessories for supporting the cable chain. (see page 28).

Serie Robot

SR599

Circular Nylon Cable Chain with un-screwable aluminium frames