

| | | |
|---------------------------|-------------------------------|---|
| 83881100 | DATA SHEET |  |
| Valid from: 18.01.2024 | FLEXIMARK® THERMO CLIP | |

FLEXIMARK® THERMO CLIP serve as overtemperature indicators for electrical assets. Using a patented Thermochromic technology, these easily-installed clips provide a color-changing visual indicator. It works as part of the visual component in the inspection process prior to and between infrared and ultrasound inspections. With a memory-effect feature, these non-conductive clips can also let inspectors see a permanent record of overtemperature excursions in intermittently loaded systems.



Technical data

| | |
|-------------------------------------|---|
| Material: | 5-10% Thermochromic Masterbatch. 90-95% Polypropylene, flame retardant and nonhalogenated. |
| Initial Color Change Temperature: | 53°C |
| Permanent Color Change Temperature: | 71°C |
| Tolerance: | +/- 1°C |
| Response Time: | 5 to 20 Seconds |
| Storage: | Store at room temperature & humidity (i.e. 16°C to 27°C & 40% to 60% RH) |
| Product Lifespan: | Replace overtemperature connection indicators within a maximum lifespan interval of 5 years |
| Dielectric Strength: | 44Kv Per mm |
| Wire Insulation Rating: | 36kVAC/600VDC |

Approvals: REACH and RoHs

Installation:

FLEXIMARK® THERMO CLIP are designed to be push fitted only onto the outer insulation of a cable, adjacent (15mm-30mm distance) to its connection terminal. FLEXIMARK® THERMO CLIP should not be inserted anywhere into the current carrying path of the circuit or directly attached to bare live metal parts of the circuit.

Adhere the supplied self-adhesive Information for Electricians label in a location near to the installation.

Caution: FLEXIMARK® THERMO CLIP are designed for use on electrical cables and as such installation must be assessed by a competent electrician licensed to applicable local requirements prior to their application. If any FLEXIMARK® THERMO CLIP series is indicating high temp (pink), carry out investigation of and repairs to the connection.

Limitations:

FLEXIMARK® THERMO CLIP series are suitable for use on 600 VAC/VDC max rated wire insulation.

FLEXIMARK® THERMO CLIP series are not suitable for unprotected use outdoors or in direct sunlight. The clips are vulnerable to degradation and non-performance from prolonged exposure to ultra-violet (UV) light.


FLEXIMARK® THERMO CLIP series are not suitable for use in sub-zero temperatures.

FLEXIMARK® THERMO CLIP series will not prevent electrical faults or fires but will aid in monitoring abnormal temperatures and will give visual indication of abnormal wire insulation temperature above 70°C for whatever underlying cause.

Use of FLEXIMARK® THERMO CLIP series does not replace the need to formally inspect, test, maintain and install electrical installations in accordance with locally applicable: electrical installation/inspection/maintenance codes; health and safety requirements and manufacturer’s instructions.

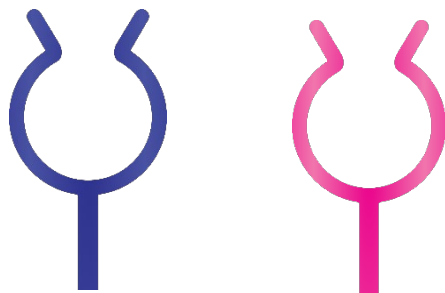
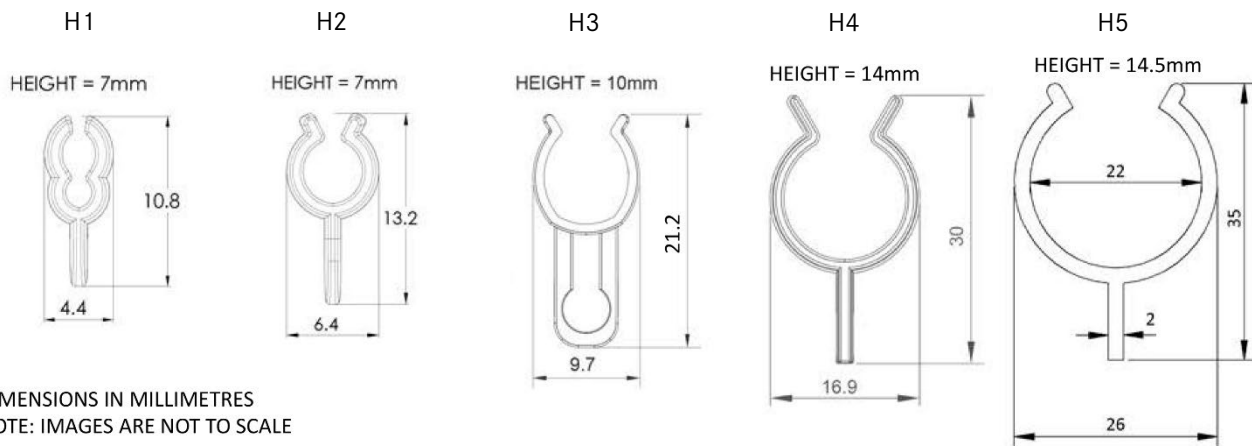
This information is provided solely for consideration, investigation, and verification by the user. FLEXIMARK® THERMO CLIP Series are not suitable for all environmental applications. The end user must verify that they are suitable for use in their application.

| | | |
|--|---|-------------|
| Creator: Fleximark/KH Released: 110522/LR | Document: DB83881100 FLEXIMARK THERMO CLIP Version: 05 | Page 1 of 2 |
|--|---|-------------|

| | | |
|---------------------------|-------------------------------|---|
| 83881100 | DATA SHEET |  |
| Valid from: 18.01.2024 | FLEXIMARK® THERMO CLIP | |

Product data:

| E-number | LAPP Article No. | Designation | Cable Ø (mm) | Wire Range | Quantity /PU |
|----------|------------------|---------------------------|--------------|-------------|--------------|
| 4222575 | 83881100 | THERMO CLIP H1 70°C -50 | 2,3-4,2 | 17-12 AWG | 50 |
| 4222576 | 83881101 | THERMO CLIP H1 70°C -1000 | 2,3-4,2 | 17-12 AWG | 1000 |
| 4222577 | 83881102 | THERMO CLIP H1 70°C -5000 | 2,3-4,2 | 17-12 AWG | 5000 |
| 4222578 | 83881103 | THERMO CLIP H2 70°C -50 | 4.8-7.1 | 10-6 AWG | 50 |
| 4222579 | 83881104 | THERMO CLIP H2 70°C -500 | 4.8-7.1 | 10-6 AWG | 500 |
| 4222580 | 83881105 | THERMO CLIP H2 70°C -5000 | 4.8-7.1 | 10-6 AWG | 5000 |
| 4222581 | 83881106 | THERMO CLIP H3 70°C -25 | 8-13.6 | 4-2/0 AWG | 25 |
| 4222582 | 83881107 | THERMO CLIP H3 70°C -250 | 8-13.6 | 4-2/0 AWG | 250 |
| 4222583 | 83881108 | THERMO CLIP H3 70°C -2000 | 8-13.6 | 4-2/0 AWG | 2000 |
| 4222584 | 83881109 | THERMO CLIP H4 70°C -12 | 13.8-23 | 3/0-350 MCM | 12 |
| 4222585 | 83881110 | THERMO CLIP H4 70°C -120 | 13.8-23 | 3/0-350 MCM | 120 |
| 4222586 | 83881111 | THERMO CLIP H4 70°C -500 | 13.8-23 | 3/0-350 MCM | 500 |
| 4222587 | 83881112 | THERMO CLIP H5 70°C -6 | 23-31 | 400-750 MCM | 6 |
| 4222588 | 83881113 | THERMO CLIP H5 70°C -60 | 23-31 | 400-750 MCM | 60 |
| 4222589 | 83881114 | THERMO CLIP H5 70°C -240 | 23-31 | 400-750 MCM | 240 |



Not activated

Activated

Note:

Pictures are not to scale and do not represent detailed images of each product.

| | | |
|--|---|-------------|
| Creator: Fleximark/KH Released: 110522/LR | Document: DB83881100 FLEXIMARK THERMO CLIP Version: 05 | Page 2 of 2 |
|--|---|-------------|