

BoTouch



Plastic capacitive

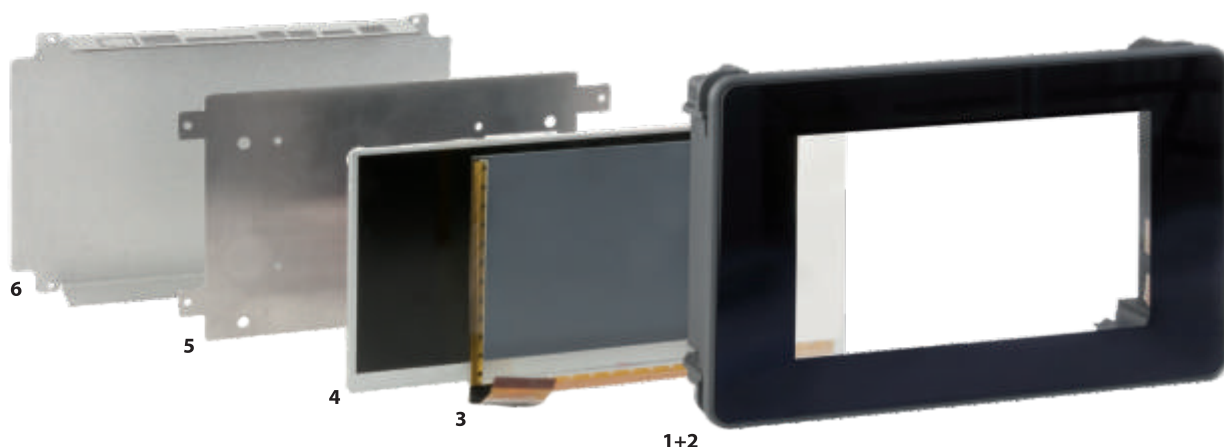


Aluminium resistive

BoTouch Plastic



- i** • Optimised for installation of capacitive touch screens
- Size of the touch screen: 5"; 7"; 10.4"
- Up to IP 65 possible for the installation area
- Project-specific variants on request
- Plastic enclosure body
- Enclosure front: 2 mm or 3 mm anti-glare mineral glass; back-printed for individual projects
- Sheet-steel rear hood, 1 mm, aluminium-zinc coating
- Required for project-specific manufacture of the retaining plate: 1 sample, CAD data or a datasheet for the touch/display combination

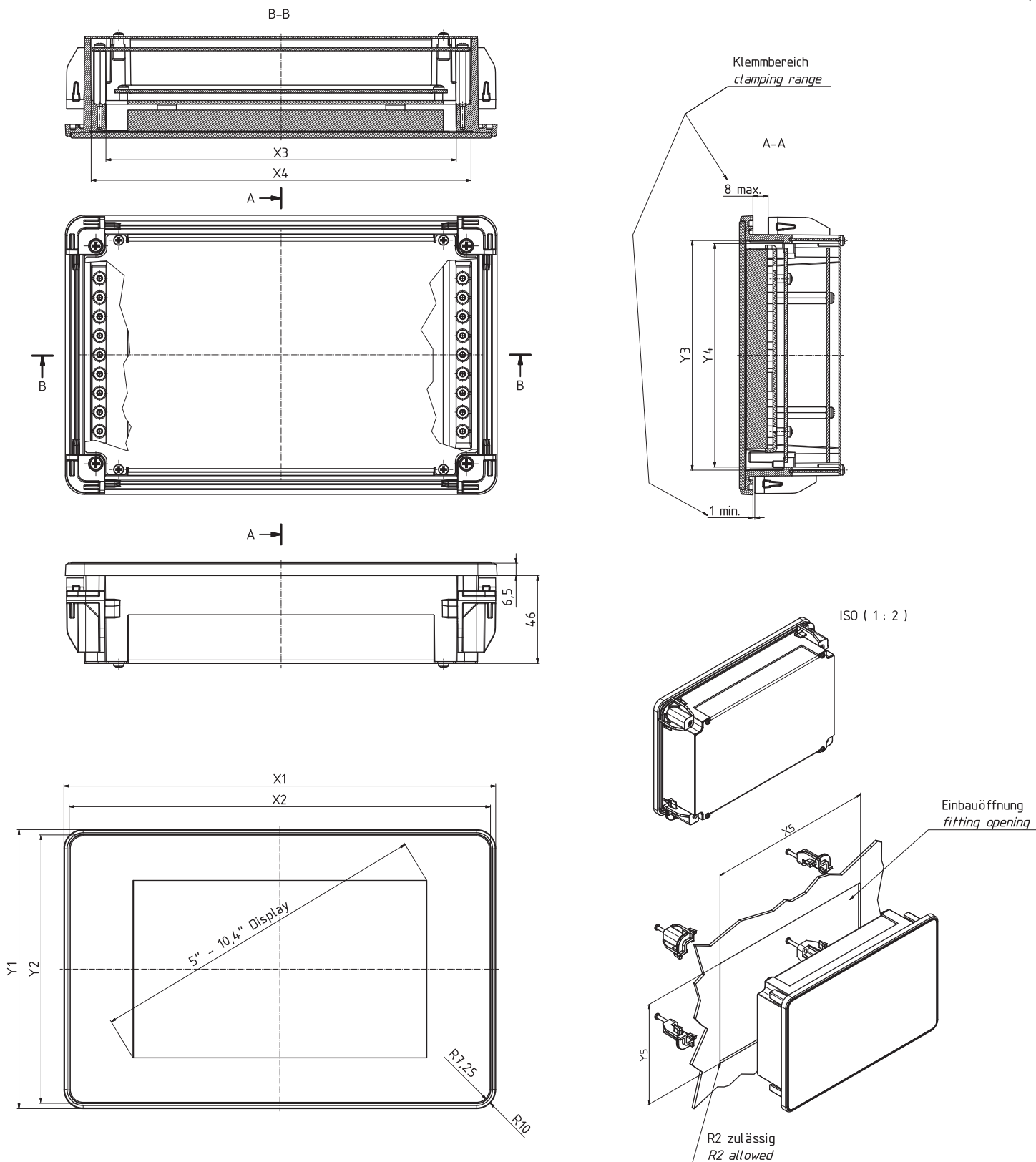


- 1 Glass pane (float glass - anti-glare)
- 2 Enclosure frame with clamps (PC-V0)
- 3 Touch screen (example)
- 4 Display (example)
- 5 Project-specific display retaining plate (aluminium)
- 6 Project-specific rear hood (sheet steel, 1 mm)

Model	Display max.	Component	Scope of delivery
BTK 5.0-9005	5"	Enclosure frame complete, black, similar to RAL 9005	- 1 enclosure frame with foamed seal
BTK 7.0-9005	7"		- 4 clamps incl. SHR (enclosed)
BTK 10.4-9005	10.4"		- 4 SHR for rear hood mounting
BTK 5.0-G2	5"	Glass pane, not printed 2 mm (BTK 5.0) or 3 mm (BTK 7.0; 10.4)	- 1 glass pane
BTK 7.0-G3	7"		
BTK 10.4-G3	10.4"		
BTK 5.0-RH	5"	Rear hood, 1 mm, aluminium-zinc, closed	1 rear hood
BTK 7.0-RH	7"		
BTK 10.4-RH	10.4"		
BTK 5.0-AP	5"	Press-in profile set	- 2 profiles for long-side installation
BTK 7.0-AP	7"		- 2 profiles for short-side installation
BTK 10.4-AP	10.4"		(only BTK 10.4)
BTK 5.0-UT *	5"	Base for surface-mounted version	- 1 base
BTK 7.0-UT *	7"		- 4 SHR for screwing to enclosure frame
BTK 10.4-UT *	10.4"		- 4 SHR for screwing onto VESA 75/100 - 4 SHR covers 7.4 black

SHR = screw

*) under development

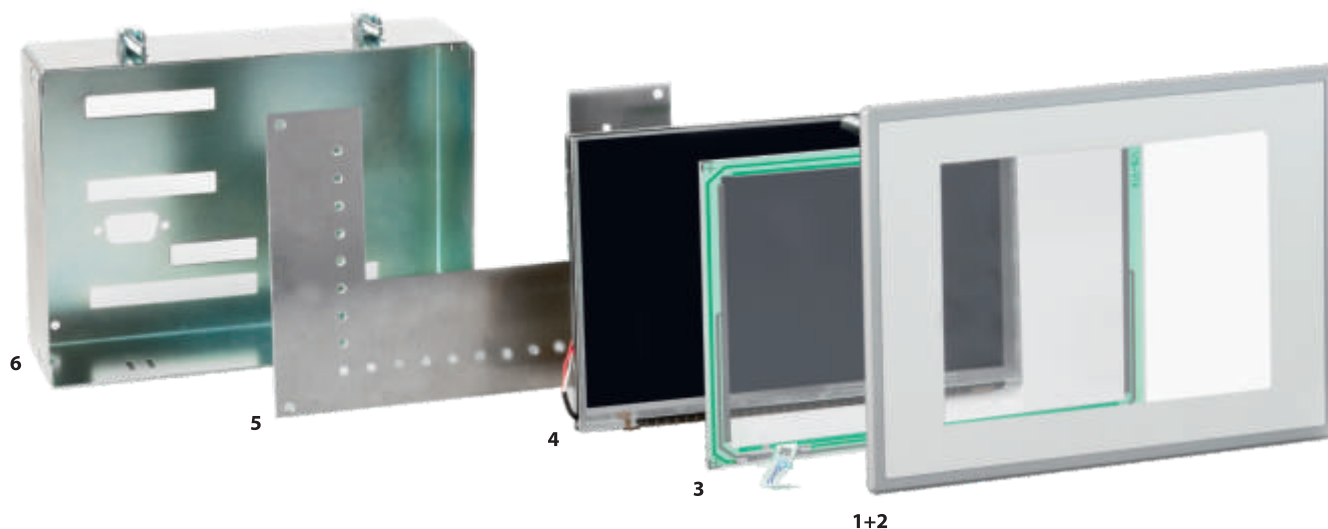


Model	X1	X2	X3	X4	X5	Y1	Y2	Y3	Y4	Y5
BoTouch BTK 5.0	166	160	123,3	138,9	148	116	110	90,15	86,9	98
BoTouch BTK 7.0	226	220	183,3	198,9	208	146	140	120,2	116,9	128
BoTouch BTK 10.4	316	310	271,3	287,9	298	236	230	208,2	204,9	218

BoTouch Aluminium



- i** • Optimised for the installation of resistive touch screens or touch/display combinations
- Size of the touch screen: 5.7"; 7"; 8.4"; 10.4"; 12.1"
- Up to IP 65 possible for the installation area
- Project-specific variants on request
- Aluminium enclosure front (anodised or powder-coated)
- Sheet-steel rear hood (nickel-plated)
- Integrated screwing system for panel mounting
- Required for project-specific manufacture of the retaining plate: 1 sample, CAD data or a datasheet for the touch/display combination

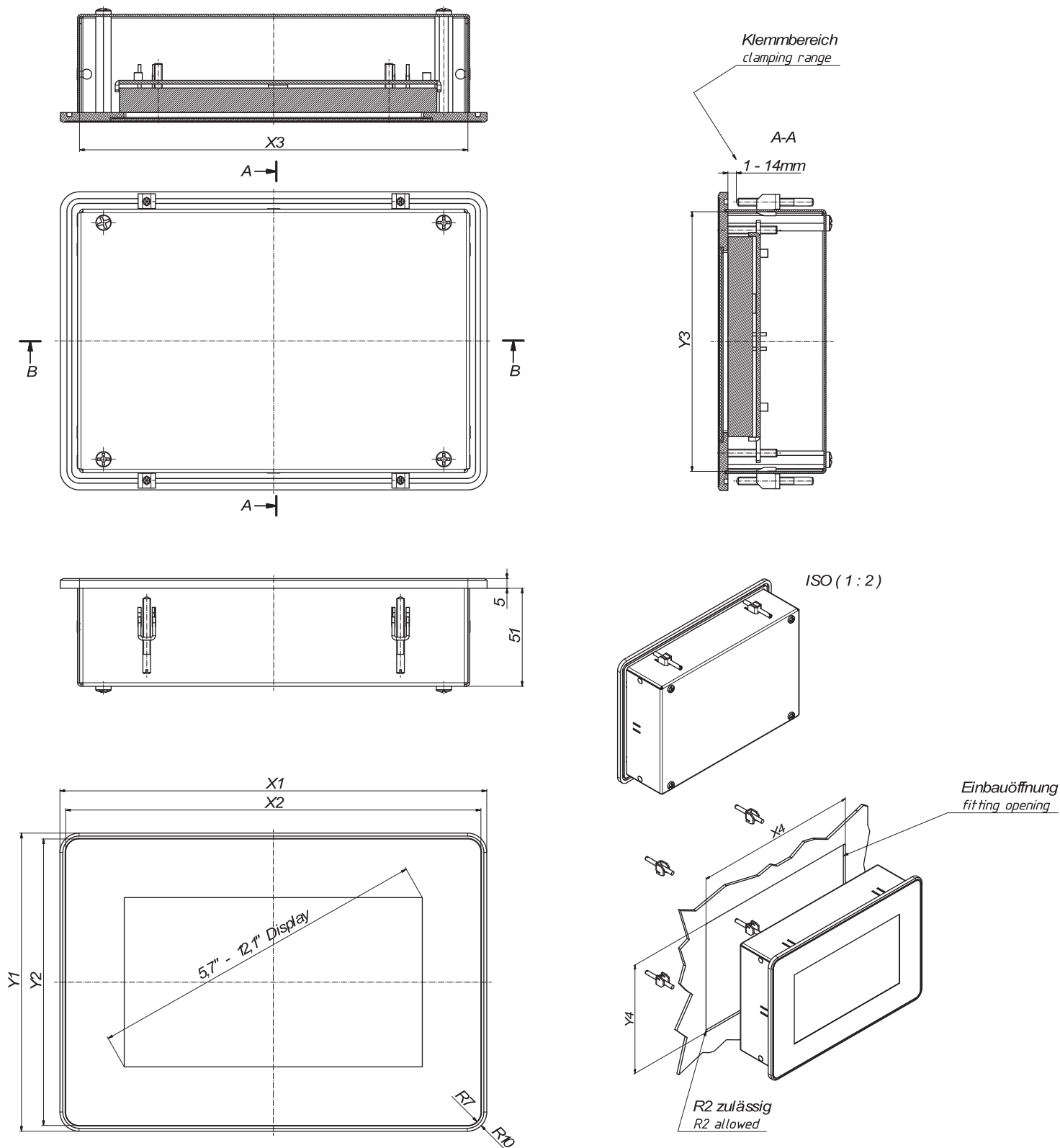


- 1 Project-specific front membrane (polyester)
- 2 Enclosure frame (aluminium)
- 3 Touch screen (example)
- 4 Display (example)
- 5 Project-specific display retaining plate (aluminium)
- 6 Project-specific rear hood with clamps (sheet steel, nickel-plated)

Model	Display max.	Component	Scope of delivery
BTA 5.7-7035	5.7"	Installation area e.g. powder-coated, light-grey, similar to RAL 7035	- 1 installation area with fitted CR seal
BTA 7.0-7035	7"		
BTA 8.4-7035	8.4"		
BTA 10.4-7035	10.4"		
BTA 12.1-7035	12.1"		
BTA 5.7-UT	5.7"	Rear hood	- 1 rear hood, 1 mm - Distance bolt* - SHR for rear hood mounting* - 4 clamps for control panel mounting
BTA 7.0-UT	7"		
BTA 8.4-UT	8.4"		
BTA 10.4-UT	10.4"		
BTA 12.1-UT	12.1"		
BTA-NK	-	Additional set of clamps (optional)	- 4 clamps for control panel mounting

SHR = screw

*) BTA 5.7; 7.0 = 4 pieces | BTA 8.4 = 6 pieces | BTA 10.4; 12.1 = 8 pieces



Model	X1	X2	X3	X4	Y1	Y2	Y3	Y4
BoTouch BTA 5.7	182	176	162	166	155	149	135	139
BoTouch BTA 7.0	222	216	202	208	155	149	135	139
BoTouch BTA 8.4	260	254	240	244	215	209	195	199
BoTouch BTA 10.4	310	304	290	294	255	249	235	239
BoTouch BTA 12.1	350	344	330	334	285	279	265	269

About BoTouch



Fast customer-specific modification

BoTouch enclosures are always matched to the customers' individual needs. Construction data based on standard display sizes already exist for many enclosure sizes and can be adapted relatively easily to the relevant project specifications. This guarantees uncomplicated integration of the touch display. Depending on the customer's requirements, BOPLA can manufacture an enclosure which matches the display supplied by the customer. Alternatively, BOPLA can manufacture an enclosure fitted with a touch screen according to the customer's specifications. In addition to the design and manufacture of the BoTouch enclosures, BOPLA also offers other enclosure-related services. These include creating cut-outs for connectors, or air vents for cooling, printing, the fitting of all components, or high-quality packing for the end-product.

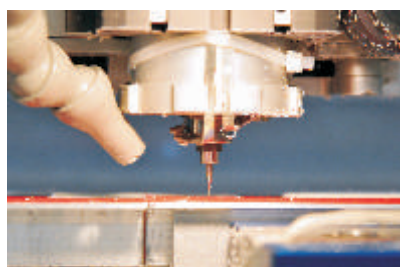
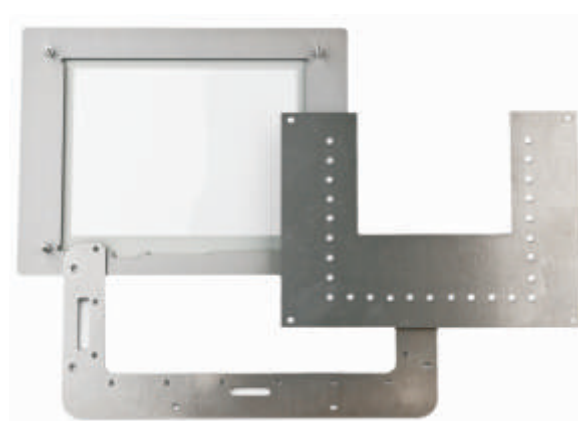
BOPLA offers the following services especially for BoTouch:

For BoTouch Plastic

- Printing of the glass pane
- Lamination of a flexible touch screen to the glass pane
- Bonding/grouting of a rigid touch screen/display to the glass pane
- Fitting of the glass pane to the enclosure frame
- Manufacture of a display retaining plate
- Fitting of displays by means of a display retaining plate and grouting points
- Customer-specific processing and printing of the rear hood

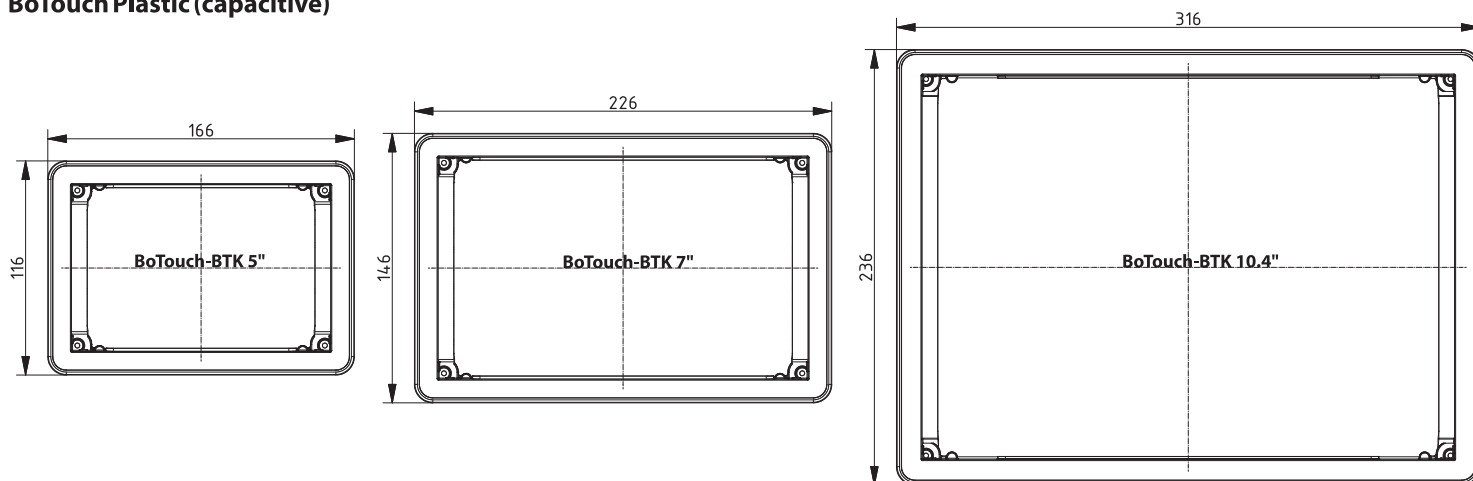
For BoTouch Aluminium

- Customer-specific adaptation of the installation area
- Manufacture of customer-specific front membranes
- Lamination of a touch screen to the front membrane
- Fitting of the front membrane to the installation area
- Manufacture of a display retaining plate
- Fitting of displays by means of a display retaining plate and grouting points
- Customer-specific processing and printing of the rear hood

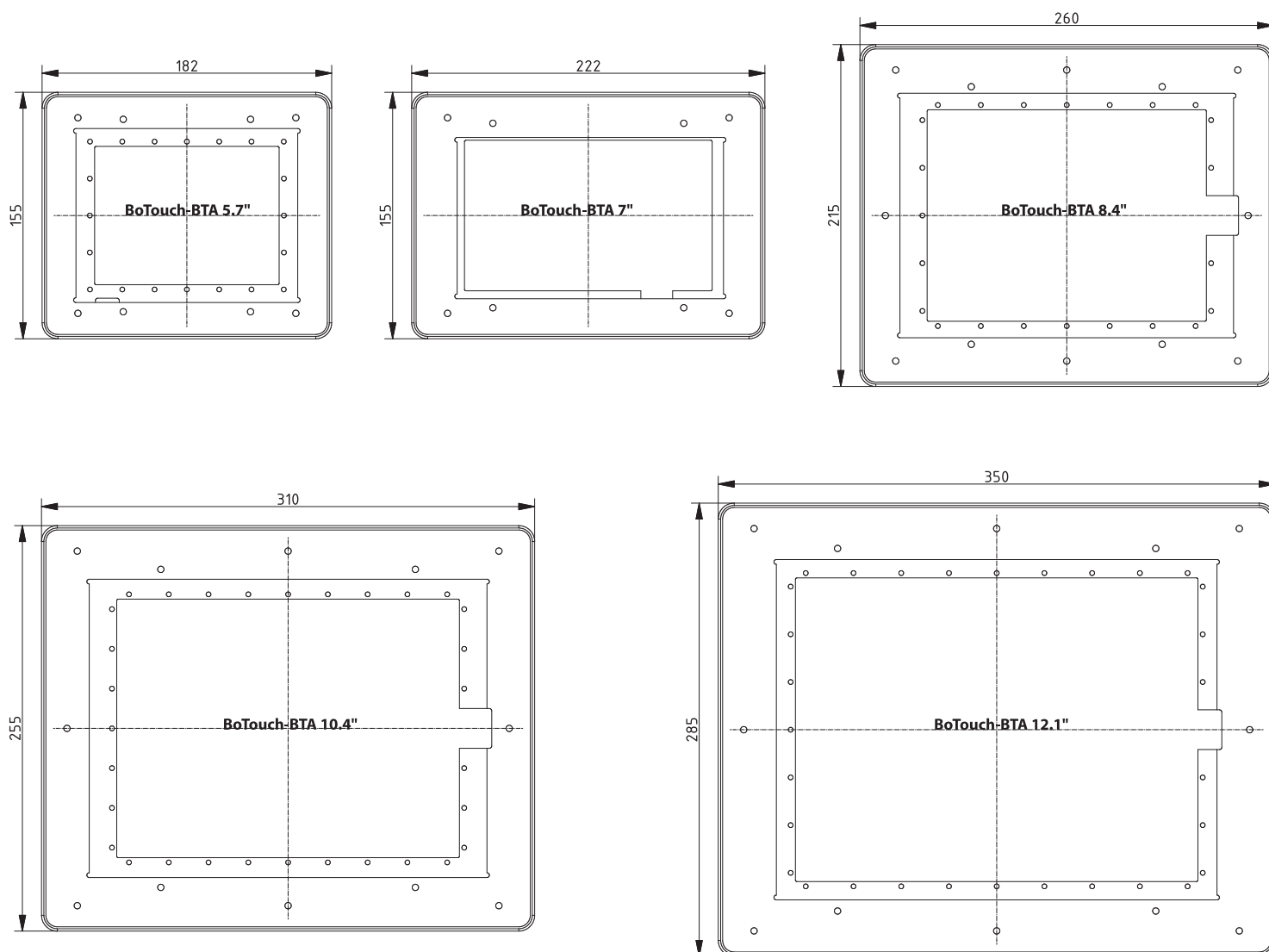


BoTouch overview

BoTouch Plastic (capacitive)



BoTouch Aluminium (resistive)





Multi-touch screen

A multi-touch display is an especially touch-sensitive surface for data entry. The capacitive touch screen simultaneously registers more than one (finger) touch. In contrast to systems with a single recording point (resistive touch screens), a multi-touch display allows the use of more than one operating method.

The display surface is normally fitted on top of the screen, which allows the user to touch, select or move the elements which are displayed on the screen. Typical applications for a multi-touch display include the enlarging and turning of images, texts or graphics by moving two fingers apart, or rotating both fingers around a common central point.



Flexible integration

When integrating touch screens or multi-touch displays, the user is not limited to enclosures in the BoTouch series. This is because all the technologies for integrating touch screens with BoTouch solutions can be transferred to enclosures in BOPLA's standard range. For example, touch displays can also be integrated in the Bocube, Alustyle, Bocard or Aluplan series by using the grouting process.



Special fitting process

BOPLA uses a grouting process which was developed in-house for fitting the displays in a BoTouch enclosure. The touch display itself is fixed behind the front membrane by means of a project-specific retaining plate. The special fitting process – generally described as "floating mounting" – efficiently compensates for the dimensional and processing tolerances of the various components, in addition to thermic expansion effects or mechanical loads such as vibration. In this way, the BoTouch enclosures achieve the required mechanical stability, at the same time allowing flexible adaptation to the differing touch screen parameters. The result: absolutely flat enclosure fronts with a reliable touch function.



Integration of touch screens and displays
www.youtube.de

Art. No. GB - 88112405