
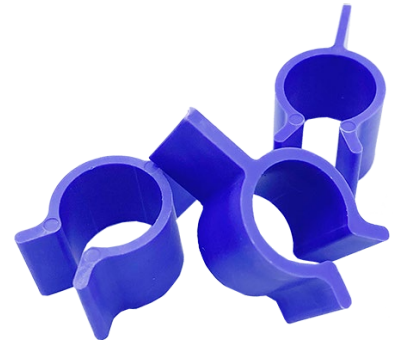


83881100	<b>DATA SHEET</b>	
Valid from: 19.01.2024	<b>FLEXIMARK® THERMO CLIP</b>	

FLEXIMARK® THERMO CLIP serve as overtemperature indicators for electrical assets. Using a patented Thermochromic technology, these easily-installed clips provide a color-changing visual indicator. It works as part of the visual component in the inspection process prior to and between infrared and ultrasound inspections. With a memory-effect feature, these non-conductive clips can also let inspectors see a permanent record of overtemperature excursions in intermittently loaded systems.



**Technical data**

Material:	5-10% Thermochromic Masterbatch. 90-95% Polypropylene, flame retardant and nonhalogenated.
Initial Color Change Temperature:	53°C
Permanent Color Change Temperature:	71°C
Tolerance:	+/- 1°C
Response Time:	5 to 20 Seconds
Storage:	Store at room temperature & humidity (i.e. 16°C to 27°C & 40% to 60% RH)
Product Lifespan:	Replace overtemperature connection indicators within a maximum lifespan interval of 5 years
Dielectric Strength:	44Kv Per mm
Wire Insulation Rating:	36kVAC/600VDC

**Approvals:** REACH and RoHs

**Installation:**

FLEXIMARK® THERMO CLIP are designed to be push fitted only onto the outer insulation of a cable, adjacent (15mm-30mm distance) to its connection terminal. FLEXIMARK® THERMO CLIP should not be inserted anywhere into the current carrying path of the circuit or directly attached to bare live metal parts of the circuit.

Adhere the supplied self-adhesive Information for Electricians label in a location near to the installation.

Caution: FLEXIMARK® THERMO CLIP are designed for use on electrical cables and as such installation must be assessed by a competent electrician licensed to applicable local requirements prior to their application. If any FLEXIMARK® THERMO CLIP series is indicating high temp (pink), carry out investigation of and repairs to the connection.

**Limitations:**

FLEXIMARK® THERMO CLIP series are suitable for use on 600 VAC/VDC max rated wire insulation.

FLEXIMARK® THERMO CLIP series are not suitable for unprotected use outdoors or in direct sunlight. The clips are vulnerable to degradation and non-performance from prolonged exposure to ultra-violet (UV) light.


FLEXIMARK® THERMO CLIP series are not suitable for use in sub-zero temperatures.

FLEXIMARK® THERMO CLIP series will not prevent electrical faults or fires but will aid in monitoring abnormal temperatures and will give visual indication of abnormal wire insulation temperature above 70°C for whatever underlying cause.

Use of FLEXIMARK® THERMO CLIP series does not replace the need to formally inspect, test, maintain and install electrical installations in accordance with locally applicable: electrical installation/inspection/maintenance codes; health and safety requirements and manufacturer’s instructions.

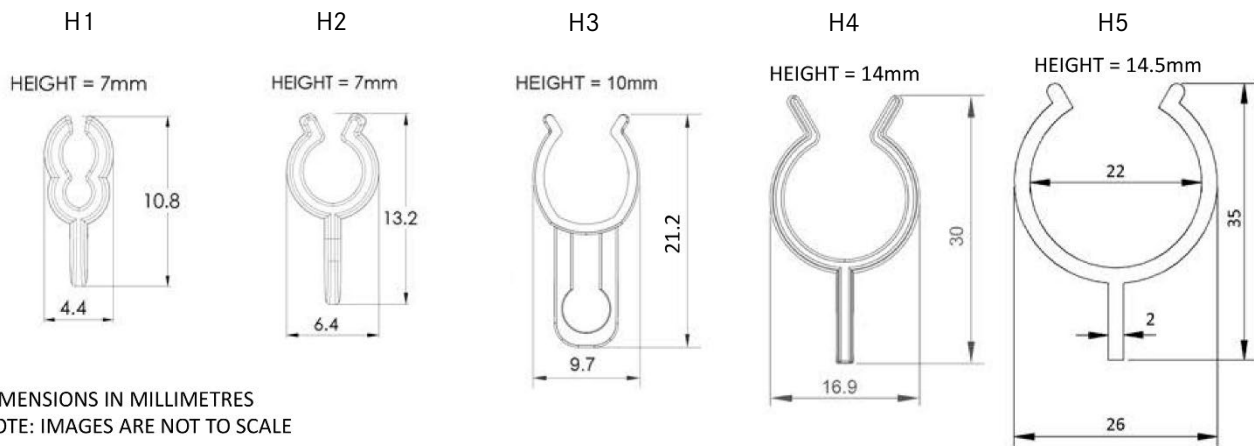
This information is provided solely for consideration, investigation, and verification by the user. FLEXIMARK® THERMO CLIP Series are not suitable for all environmental applications. The end user must verify that they are suitable for use in their application.

Creator: Fleximark/KH Released: 110522/LR	Document: DB83881100 FLEXIMARK THERMO CLIP Version: 05	Page 1 of 2
--	---	-------------

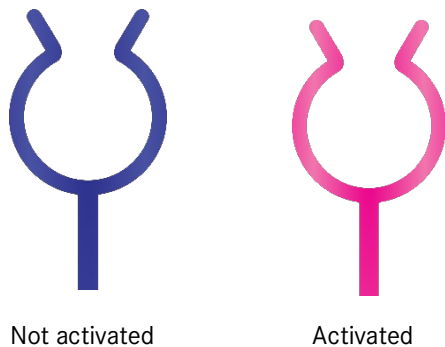
83881100	<b>DATA SHEET</b>	
Valid from: 19.01.2024	<b>FLEXIMARK® THERMO CLIP</b>	

**Product data:**

E-number	LAPP Article No.	Designation	Cable Ø (mm)	Wire Range	Quantity /PU
4222575	83881100	THERMO CLIP H1 70°C -50	2,3-4,2	17-12 AWG	50
4222576	83881101	THERMO CLIP H1 70°C -1000	2,3-4,2	17-12 AWG	1000
4222577	83881102	THERMO CLIP H1 70°C -5000	2,3-4,2	17-12 AWG	5000
4222578	83881103	THERMO CLIP H2 70°C -50	4.8-7.1	10-6 AWG	50
4222579	83881104	THERMO CLIP H2 70°C -500	4.8-7.1	10-6 AWG	500
4222580	83881105	THERMO CLIP H2 70°C -5000	4.8-7.1	10-6 AWG	5000
4222581	83881106	THERMO CLIP H3 70°C -25	8-13.6	4-2/0 AWG	25
4222582	83881107	THERMO CLIP H3 70°C -250	8-13.6	4-2/0 AWG	250
4222583	83881108	THERMO CLIP H3 70°C -2000	8-13.6	4-2/0 AWG	2000
4222584	83881109	THERMO CLIP H4 70°C -12	13.8-23	3/0-350 MCM	12
4222585	83881110	THERMO CLIP H4 70°C -120	13.8-23	3/0-350 MCM	120
4222586	83881111	THERMO CLIP H4 70°C -500	13.8-23	3/0-350 MCM	500
4222587	83881112	THERMO CLIP H5 70°C -6	23-31	400-750 MCM	6
4222588	83881113	THERMO CLIP H5 70°C -60	23-31	400-750 MCM	60
4222589	83881114	THERMO CLIP H5 70°C -240	23-31	400-750 MCM	240
4222617	83881140	THERMO CLIP H5 70°C Start kit	2,3-31		1



DIMENSIONS IN MILLIMETRES  
NOTE: IMAGES ARE NOT TO SCALE



Start Kit

**Note:**

Pictures are not to scale and do not represent detailed images of each product.

Creator: Fleximark/KH Released: 110522/LR	Document: DB83881100 FLEXIMARK THERMO CLIP Version: 05	Page 2 of 2
--	---	-------------