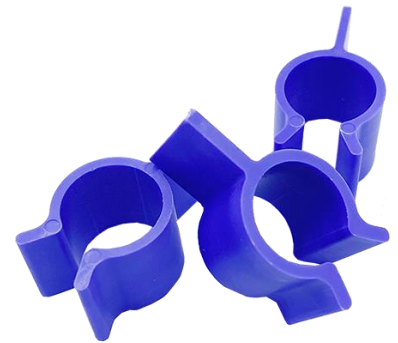


83881100	<b>DATA SHEET</b>	
Valid from: 18.11.2022	<b>FLEXIMARK® THERMO SERIES - THE CLIP</b>	

The Clip serve as overtemperature indicators for electrical assets. Using a patented Thermochromic technology, these easily-installed clips provide a color-changing visual indicator. It works as part of the visual component in the inspection process prior to and between infrared and ultrasound inspections. With a memory-effect feature, these non-conductive clips can also let inspectors see a permanent record of overtemperature excursions in intermittently loaded systems.



### Technical data

Material:	5-10% Thermochromic Masterbatch. 90-95% Polypropylene, flame retardant to UL94V0 self-extinguishing rating, nonhalogenated
Initial Color Change Temperature:	53°C
Permanent Color Change Temperature:	71°C
Tolerance:	+/- 1°C
Response Time:	5 to 20 Seconds
Storage:	Store at room temperature & humidity (i.e. 16°C to 27°C & 40% to 60% RH)
Product Lifespan:	Replace overtemperature connection indicators within a maximum lifespan interval of 5 years
Dielectric Strength:	44Kv Per mm
Wire Insulation Rating:	36kVAC/600VDC

### Installation:

The Clip are designed to be push fitted only onto the outer insulation of a cable, adjacent (15mm-30mm distance) to its connection terminal. The Clip should not be inserted anywhere into the current carrying path of the circuit or directly attached to bare live metal parts of the circuit.

Caution: The Clip are designed for use on electrical cables and as such installation must be assessed by a competent electrician licensed to applicable local requirements prior to their application.

### Color:

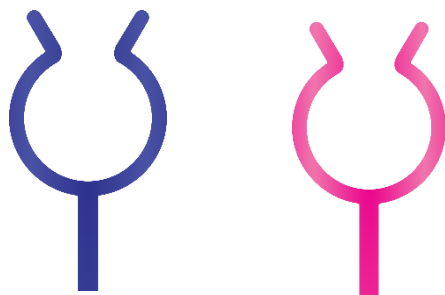
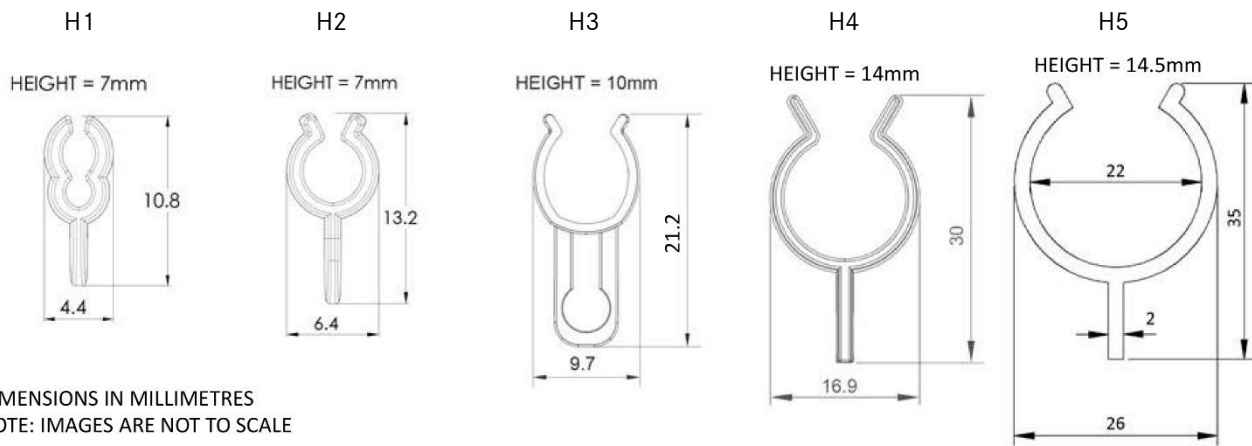
Purple

Creator: Fleximark/KH Released: 110522/LR	Document: DB83881100 FLEXIMARK THERMO SERIES The Clip Version: 02	Page 1 of 2
----------------------------------------------	-------------------------------------------------------------------------	-------------

83881100	<b>DATA SHEET</b>	
Valid from: 18.11.2022	<b>FLEXIMARK® THERMO SERIES - THE CLIP</b>	

**Product data:**

E-number	LAPP Article No.	Designation	Cable Ø (mm)	Wire Range	Quantity /PU
	83881100	The Clip H1 70°C -50	2,3-4,2	17-12 AWG	50
	83881101	The Clip H1 70°C -1000	2,3-4,2	17-12 AWG	1000
	83881102	The Clip H1 70°C -5000	2,3-4,2	17-12 AWG	5000
	83881103	The Clip H2 70°C -50	4.8-7.1	10-6 AWG	50
	83881104	The Clip H2 70°C -500	4.8-7.1	10-6 AWG	500
	83881105	The Clip H2 70°C -5000	4.8-7.1	10-6 AWG	5000
	83881106	The Clip H3 70°C -25	8-13.6	4-2/0 AWG	25
	83881107	The Clip H3 70°C -250	8-13.6	4-2/0 AWG	250
	83881108	The Clip H3 70°C -2000	8-13.6	4-2/0 AWG	2000
	83881109	The Clip H4 70°C -12	13.8-23	3/0-350 MCM	12
	83881110	The Clip H4 70°C -120	13.8-23	3/0-350 MCM	120
	83881111	The Clip H4 70°C -500	13.8-23	3/0-350 MCM	500
	83881112	The Clip H5 70°C -6	23-31	400-750 MCM	6
	83881113	The Clip H5 70°C -60	23-31	400-750 MCM	60
	83881114	The Clip H5 70°C -240	23-31	400-750 MCM	240



Not activated

Activated

**Note:**

Pictures are not to scale and do not represent detailed images of each product.

Creator: Fleximark/KH Released: 110522/LR	Document: DB83881100 FLEXIMARK THERMO SERIES The Clip Version: 02	Page 2 of 2
----------------------------------------------	----------------------------------------------------------------------	-------------