


83881100	DATA SHEET	
Valid from: 11.05.2022	FLEXIMARK® THERMO CLIP™	

The Thermo Clip™ Series serve as overtemperature indicators for electrical assets. Using a patented Thermochromic technology, these easily-installed clips provide a color-changing visual indicator. It works as part of the visual component in the inspection process prior to and between infrared and ultrasound inspections. With a memory-effect feature, these non-conductive clips can also let inspectors see a permanent record of overtemperature excursions in intermittently loaded systems.



Technical data

Material:	5-10% Thermochromic Masterbatch. 90-95% Polypropylene, flame retardant to UL94V0 self extinguishing rating, nonhalogenated.
Initial Color Change Temperature:	53°C
Permanent Color Change Temperature:	71°C
Tolerance:	+/- 1°C
Response Time:	5 to 20 Seconds
Storage:	Store at room temperature & humidity (i.e. 16°C to 27°C & 40% to 60% RH)
Product Lifespan:	Replace overtemperature connection indicators within a maximum lifespan interval of 5 years
Dielectric Strength:	44Kv Per mm
Wire Insulation Rating:	36kVAC/600VDC

Installation:

Thermo Clip™ Series Clips are designed to be push fitted only onto the outer insulation of a cable, adjacent (15mm-30mm distance) to its connection terminal. Thermo Clip™ should not be inserted anywhere into the current carrying path of the circuit or directly attached to bare live metal parts of the circuit.

Caution: Thermo Clip™ Series are designed for use on electrical cables and as such installation must be assessed by a competent electrician licensed to applicable local requirements prior to their application.


Color:

Purple

Approvals:

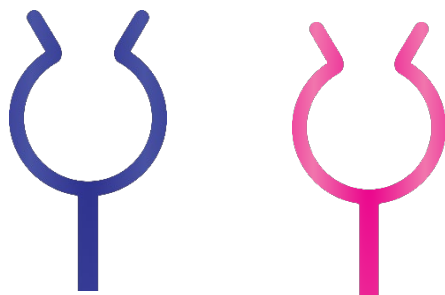
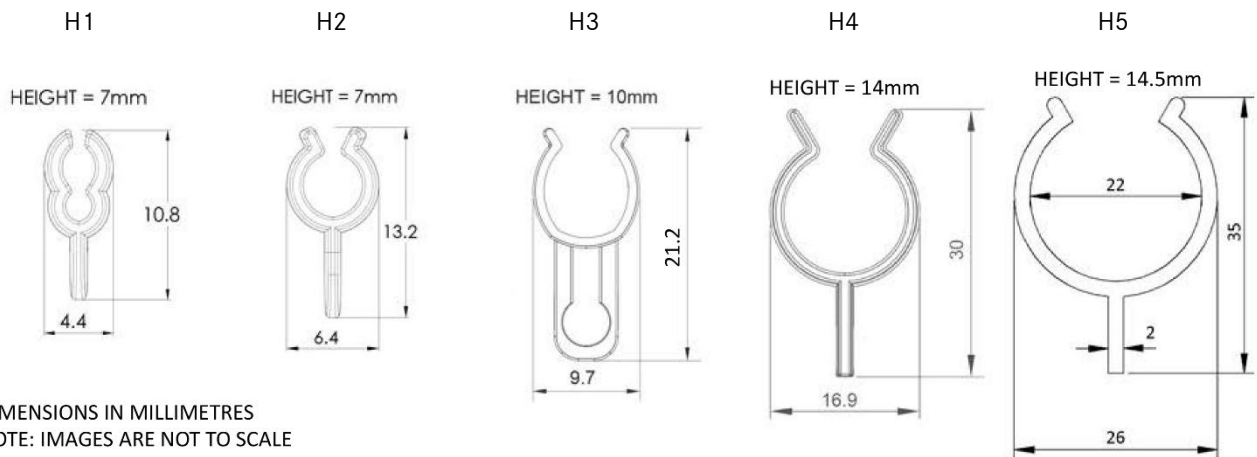


Creator: Fleximark/KH Released: 110522/LR	Document: DB83881100EN Version: 00	Page 1 of 2
--	---------------------------------------	-------------

83881100	DATA SHEET	
Valid from: 11.05.2022	FLEXIMARK® THERMO CLIP™	

Product data:

E-number	LAPP Article No.	Designation	Cable Ø (mm)	Wire Range	Quantity /PU
	83881100	Thermo Clip™ H1 70°C -50	2,3-4,2	17-12 AWG	50
	83881101	Thermo Clip™ H1 70°C -1000	2,3-4,2	17-12 AWG	1000
	83881102	Thermo Clip™ H1 70°C -5000	2,3-4,2	17-12 AWG	5000
	83881103	Thermo Clip™ H2 70°C -50	4.8-7.1	10-6 AWG	50
	83881104	Thermo Clip™ H2 70°C -500	4.8-7.1	10-6 AWG	500
	83881105	Thermo Clip™ H2 70°C -5000	4.8-7.1	10-6 AWG	5000
	83881106	Thermo Clip™ H3 70°C -25	8-13.6	4-2/0 AWG	25
	83881107	Thermo Clip™ H3 70°C -250	8-13.6	4-2/0 AWG	250
	83881108	Thermo Clip™ H3 70°C -2000	8-13.6	4-2/0 AWG	2000
	83881109	Thermo Clip™ H4 70°C -12	13.8-23	3/0-350 MCM	12
	83881110	Thermo Clip™ H4 70°C -120	13.8-23	3/0-350 MCM	120
	83881111	Thermo Clip™ H4 70°C -500	13.8-23	3/0-350 MCM	500
	83881112	Thermo Clip™ H5 70°C -6	23-31	400-750 MCM	6
	83881113	Thermo Clip™ H5 70°C -60	23-31	400-750 MCM	60
	83881114	Thermo Clip™ H5 70°C -240	23-31	400-750 MCM	240



Not activated

Activated

Note:

Pictures are not to scale and do not represent detailed images of each product.

Creator: Fleximark/KH Released: 110522/LR	Document: DB83881100EN Version: 00	Page 2 of 2
--	---------------------------------------	-------------