



BOPLA

A Phoenix Mecano Company

Euromas X



Colour:

● Light grey, similar to RAL 7035

Special colours on request

Protection class:

PC variants: IP66 / IP68 (1.2 m - 2 h) DIN EN 60529

ABS variants: IP65 DIN EN 60529

Impact resistance: IK07 acc. to IEC 62262

Material:

Enclosure: ABS (XT) or PC (XM)

Seal: CR bei ABS; PU for PC

For details see "Technical information".



The product advantages



Euromas X adds new formats and functions to the classic EUROMAS range. Available in ABS and polycarbonate material variants.



PC

ABS

PC variants with an injection-moulded seal provide protection class IP 66/68; ABS IP65.



Quick-Finder:
www.bopla.de/07



Numerous designs are equipped with directly moulded-on wall brackets.



Euromas X enclosures have a recessed area for fitting membrane keypads or display screens.



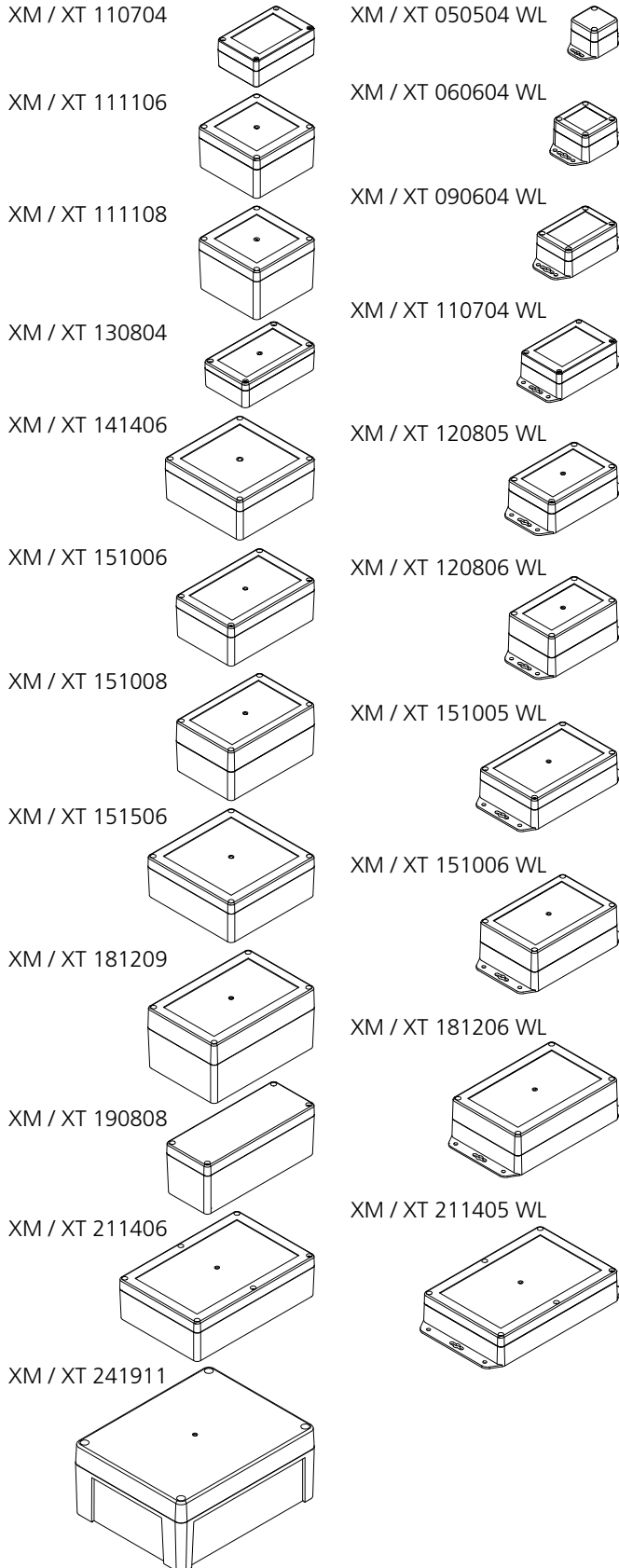
The lid screws – secured against falling out – are screwed into high-quality threaded bushings.



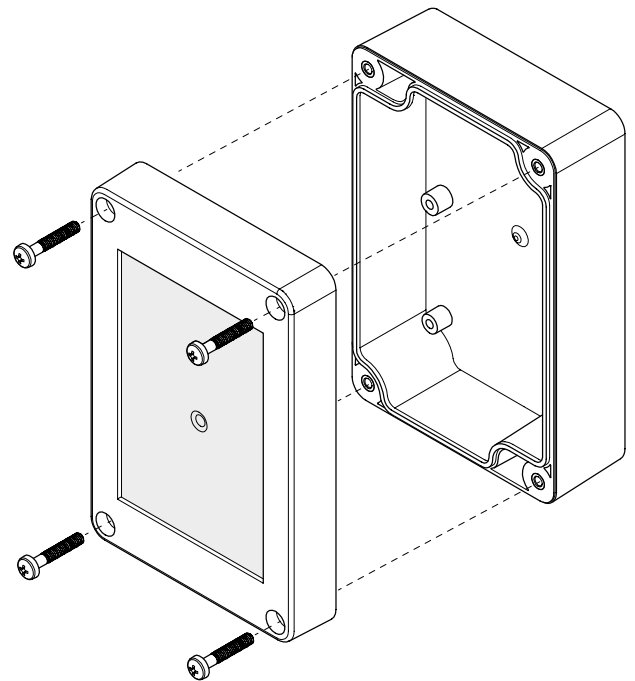
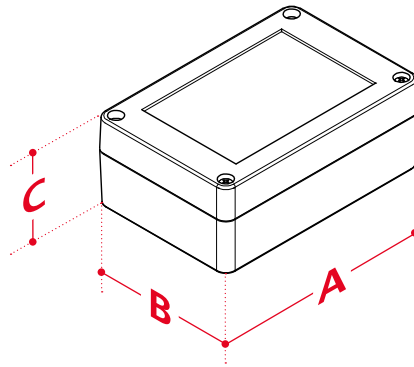
Circuit boards can be securely fixed in the base by means of screw domes.



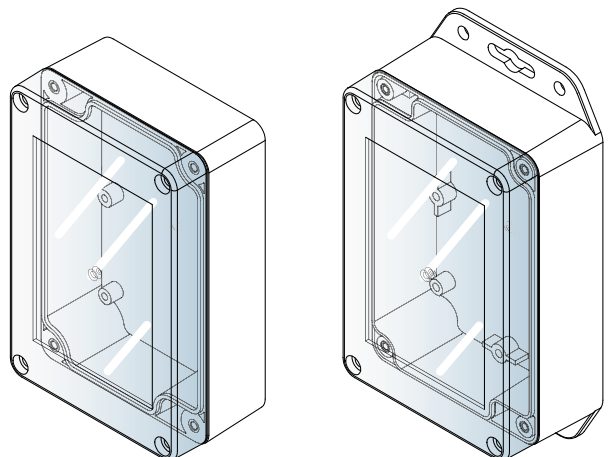
Enclosure designs



Design types



Crystal-clear cover (G)



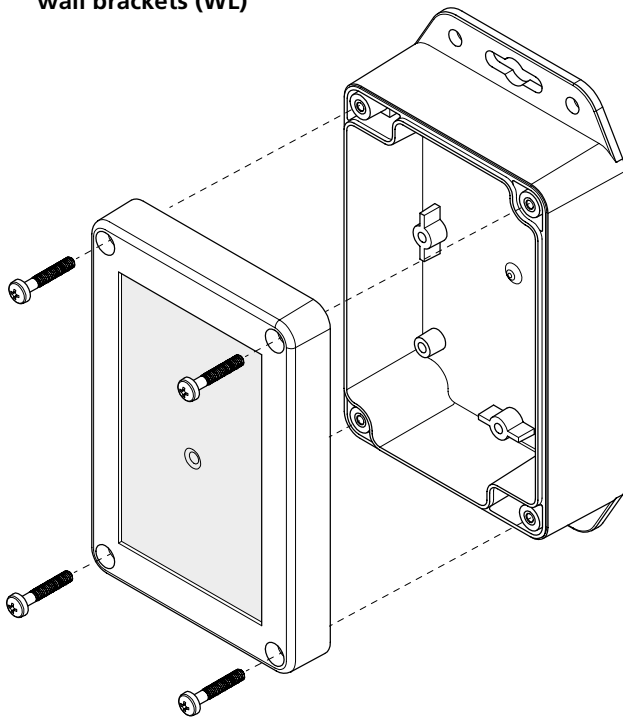


BOPLA

A Phoenix Mecano Company

Euromas X

Enclosure with moulded-on wall brackets (WL)



Dimensions

Model	A	B	C
XM (G) / XT 110704	105	70	40
XM (G) / XT 111106	105	105	60.1
XM (G) / XT 111108	104.8	104.8	74.7
XM (G) / XT 130804	125	75	37.2
XM (G) / XT 141406	134.7	134.7	60.1
XM (G) / XT 151006	150	100	60
XM (G) / XT 151008	150	100	75
XM (G) / XT 151506	149.9	149.9	60
XM (G) / XT 181209	180	120	90.3
XM (G) / XT 190808	191.8	75.1	75.3
XM (G) / XT 211406	209.7	139.8	60
XM (G) / XT 241911	240	191.3	105.6

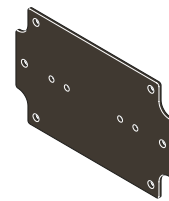
With wall brackets

XM (G) / XT 050504 WL	44.8	44.8	40.1
XM (G) / XT 060604 WL	60	60	40.1
XM (G) / XT 090604 WL	90	60	39.9
XM (G) / XT 110704 WL	105	70	40
XM (G) / XT 120805 WL	120	80	45.2
XM (G) / XT 120806 WL	120	80	60.2
XM (G) / XT 151005 WL	150	100	45
XM (G) / XT 151006 WL	150	100	60
XM (G) / XT 181206 WL	179.9	119.9	60.2
XM (G) / XT 211405 WL	209.7	139.8	45.1

Accessories



DIN rails
TH 15, TH 35



Mounting panels in different versions



Mast mounting

Euromas X

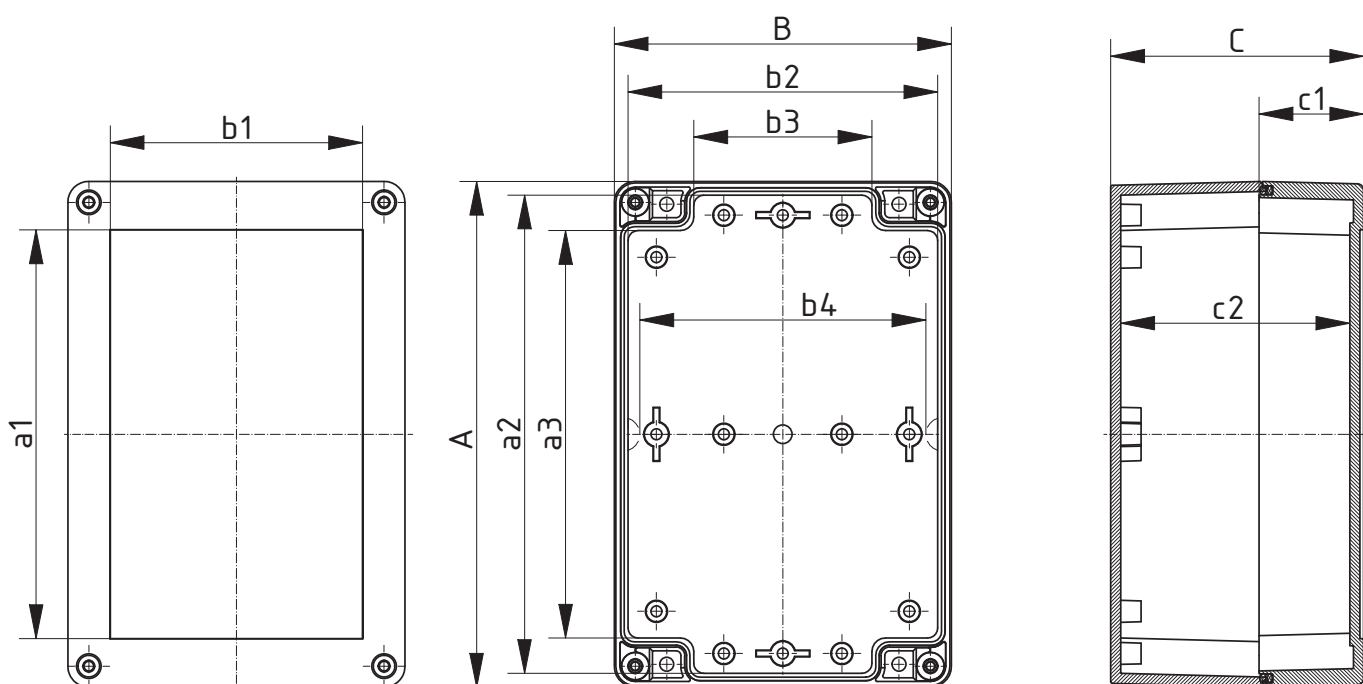
ABS, single-coloured



Enclosure, ABS

Model	Order no.	A	B	C	a1	a2	a3	b1	b2	b3	c1	c2	IP	IK
XT 110704 7035	07511074	105	70	40	74	49.6	15	49.6	62.6	34.9	15	32.9	65	07
XT 111106 7035	07511116	105	105	60.1	74.5	96	76.1	74.5	96.8	57.8	15	53	65	07
XT 111108 7035	07511118	104.8	104.8	74.7	74.5	95.4	74.6	74.5	95.4	56.7	15	67.6	65	07
XT 130804 7035	07513084	125	75	37.2	97.2	117.8	97.8	51.2	67.8	38.8	10	30	65	07
XT 141406 7035	07514146	134.7	134.7	60.1	104.5	126.5	105.6	104.5	126.5	87.6	15	53	65	07
XT 151006 7035	07515106	150	100	60	121.7	141.8	120.8	75.3	91.8	52.8	15	52.9	65	07
XT 151008 7035	07515108	150	100	75	121.2	141.8	120.8	74.8	91.8	52.8	30	67.9	65	07
XT 151506 7035	07515156	149.9	149.9	60	139.6	141.7	121	119.2	141.7	102.7	119.2	52.9	65	07
XT 181209 7035	07518129	180	120	90.3	149	171	150	88.8	111	72	30.1	83.2	65	07
XT 190808 7035	07519088	191.8	75.1	75.3	-	182.8	162.6	-	66.1	27.9	15.1	69.3	65	07
XT 211406 7035	07521146	209.7	139.8	60.1	179	201.5	180.6	109	131.6	92.6	15.1	52.9	65	07
XT 241911 7035	07524191	240	191.3	105.6	-	225.6	189.3	-	176.9	114.6	29.6	98.4	65	07

Scope Of Delivery: Lid and base, 4 screws



Z-2504703

Euromas X

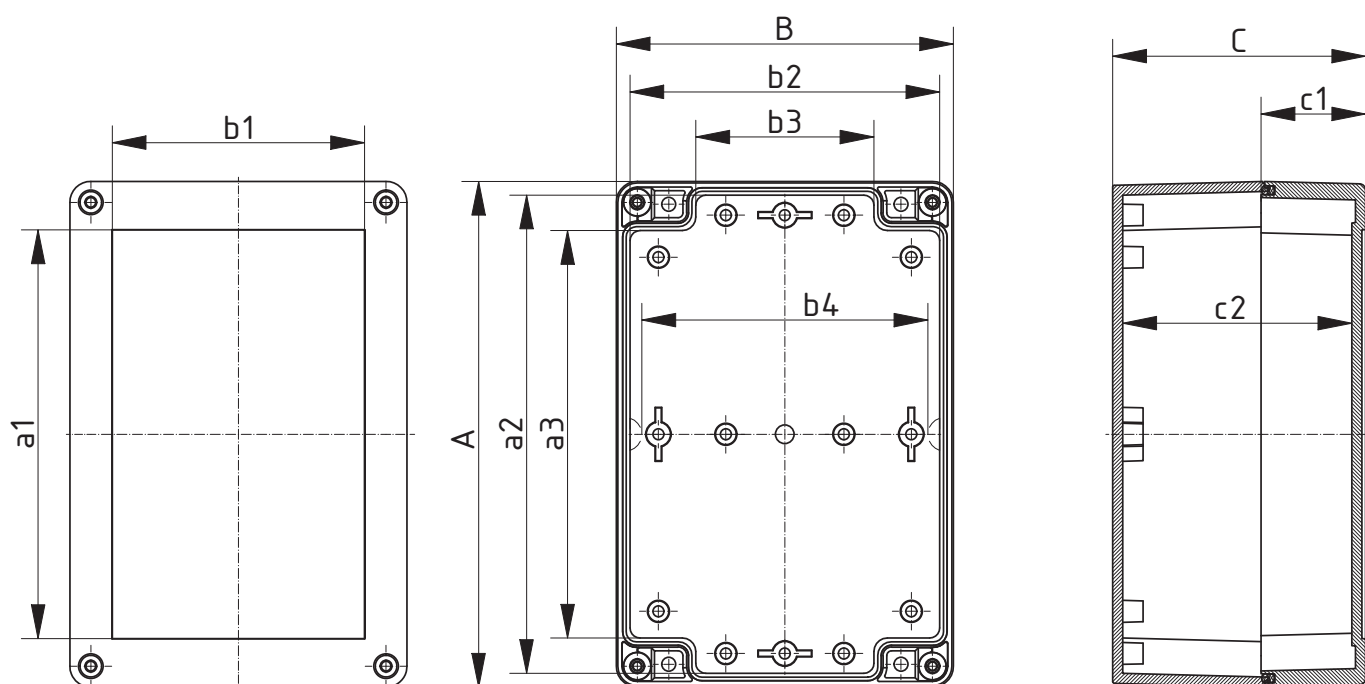
PC, single-coloured



Enclosure, polycarbonate

Model	Order no.	A	B	C	a1	a2	a3	b1	b2	b3	c1	c2	IP	IK
XM 110704 7035	07311074	105	70	40	74	97.6	78.9	49.6	62.6	34.9	15	32.9	68	07
XM 111106 7035	07311116	105	105	60.1	74.5	96.8	76.1	74.5	96.8	57.8	15	53	66	07
XM 111108 7035	07311118	104.8	104.8	74.7	74.5	95.4	74.6	74.5	95.4	56.7	15	67.6	66	07
XM 130804 7035	07313084	125	75	37.2	97.2	117.8	97.8	51.2	67.8	38.8	10	30	66	07
XM 141406 7035	07314146	134.7	134.7	60.1	104.5	126.5	105.6	104.5	126.5	87.6	15	53	66	07
XM 151006 7035	07315106	150	100	60	121.7	141.8	120.8	75.3	91.8	52.8	15	52.9	66	07
XM 151008 7035	07315108	150	100	75	121.2	141.8	120.8	74.8	91.8	52.8	30	67.9	66	07
XM 151506 7035	07315156	149.9	149.9	60	-	141.7	121	-	141.7	102.7	119.2	52.9	66	07
XM 181209 7035	07318129	180	120	90.3	149	171	150	88.8	111	72	30.1	83.2	66	07
XM 190808 7035	07319088	191.8	75.1	75.3	-	182.8	162.6	-	66.1	27.9	15.1	69.3	66	07
XM 211406 7035	07321146	209.7	139.8	60.1	179	201.5	180.6	109	131.6	92.6	15.1	52.9	66	07
XM 241911 7035	07324191	240	191.3	105.6	-	225.6	189.3	-	176.9	114.6	29.6	98.4	66	07

Scope Of Delivery: Lid and base, 4 screws



Z-2504703

Euromas X

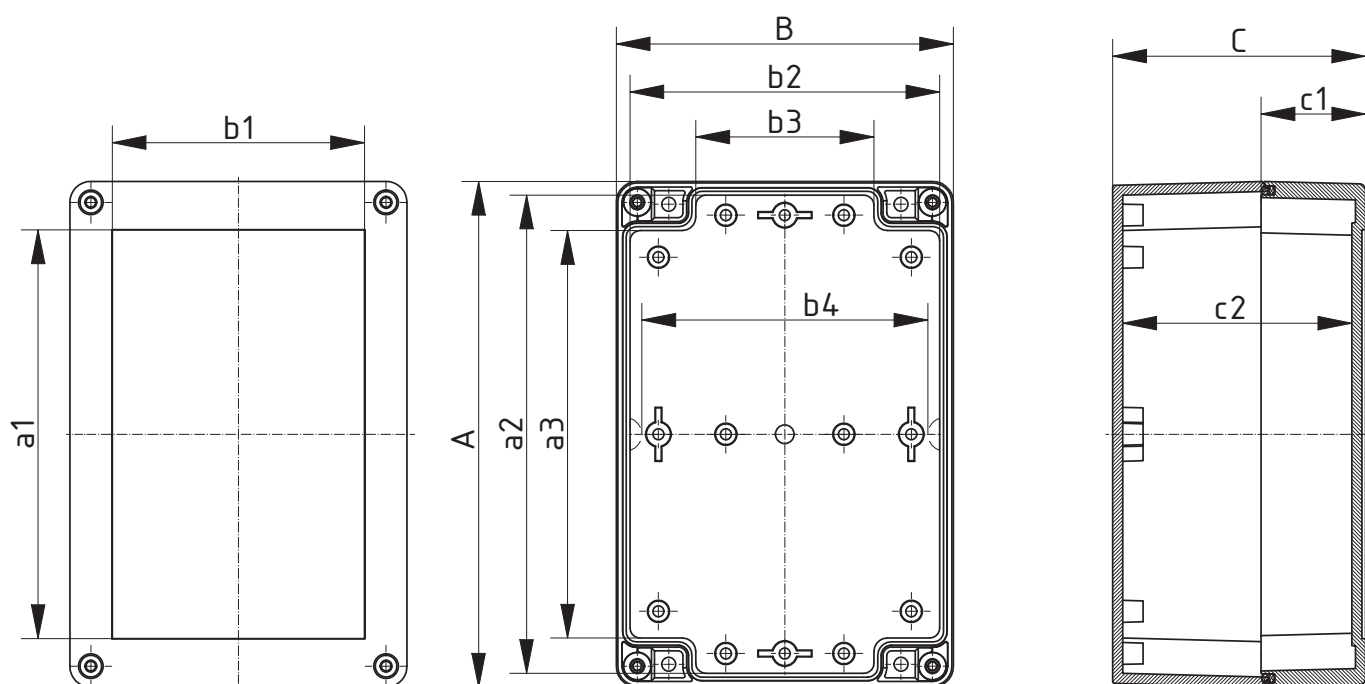
PC, crystal-clear lid



Enclosures, polycarbonate, crystal-clear lid

Model	Order no.	A	B	C	a1	a2	a3	b1	b2	b3	c1	c2	IP	IK
XM 110704 G 7035	07411074	105	70	40	74	97.6	78.9	49.6	62.6	34.9	15	32.9	66	07
XM 111106 G 7035	07411116	105	105	60.1	74.5	96.8	76.1	74.5	96.8	57.8	15	53	66	07
XM 111108 G 7035	07411118	104.8	104.8	74.7	74.5	95.4	74.6	74.5	95.4	56.7	15	67.6	66	07
XM 130804 G 7035	07413084	125	75	37.2	97.2	117.8	97.8	51.2	67.8	38.8	10	30	66	07
XM 141406 G 7035	07414146	134.7	134.7	60.1	104.5	126.5	105.6	104.5	126.5	87.6	15	53	66	07
XM 151006 G 7035	07415106	150	100	60	121.7	141.8	120.8	75.3	91.8	52.8	15	52.9	66	07
XM 151008 G 7035	07415108	150	100	75	121.2	141.8	120.8	74.8	91.8	52.8	30	67.9	66	07
XM 151506 G 7035	07415156	149.9	149.9	60	139.6	141.7	121	119.2	141.7	102.7	119.2	52.9	66	07
XM 181209 G 7035	07418129	180	120	90.3	149	171	150	88.8	111	72	30.1	83.2	66	07
XM 190808 G 7035	07419088	191.8	75.1	75.3	-	182.8	162.6	-	66.1	27.9	15.1	69.3	66	07
XM 211406 G 7035	07421146	209.7	139.8	60.1	179	201.5	180.6	109	131.6	92.6	15.1	52.9	66	07
XM 241911 G 7035	07424191	240	191.3	105.6	-	225.6	189.3	-	176.9	114.6	29.6	98.4	66	07

Scope Of Delivery: Lid and base, 4 screws



Z-2504703

Euromas X

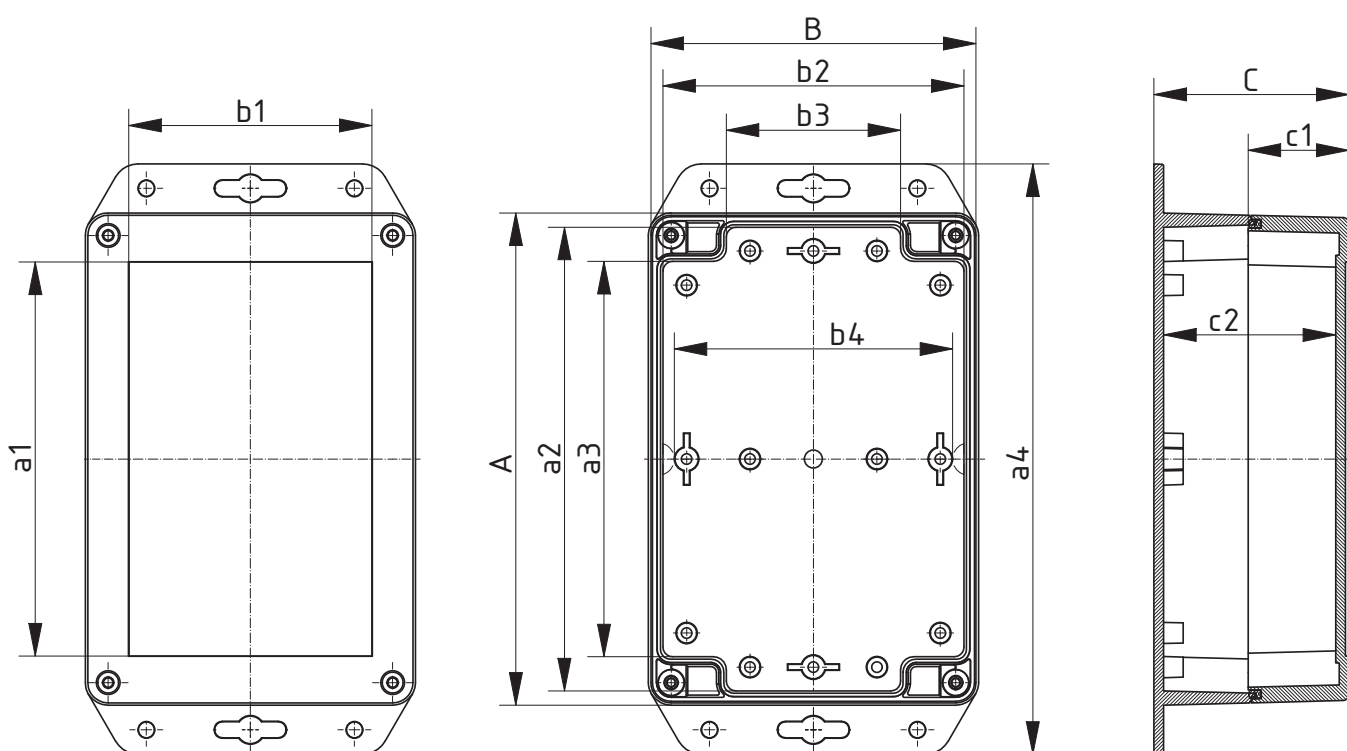
ABS, single colour, with wall brackets



Enclosure, ABS, with wall brackets

Model	Order no.	A	B	C	a1	a2	a3	a4	b1	b2	b3	c1	c2	IP	IK
XT 050504 WL 7035	07805054	45.9	46	40.1	-	38.6	29.1	72.9	-	38.6	29.1	15.2	34.3	65	07
XT 060604 WL 7035	07806064	61.1	61.3	40	38.8	52.9	33.6	91.3	38.8	52.9	33.6	15	33	65	07
XT 090604 WL 7035	07809064	91.1	61.3	39.9	68.9	82.9	60.8	121.3	38.9	52.9	33.6	15	32.8	65	07
XT 110704 WL 7035	07811074	105.2	71.3	40	74	97.6	78.9	131.3	49.6	62.6	34.9	15	32.9	65	07
XT 120805 WL 7035	07812085	121.4	81.5	45.2	92	112.6	92.6	151.5	56	72.6	43.6	15.1	38	65	07
XT 120806 WL 7035	07812086	121.4	81.5	60.2	91.6	112.6	92.6	151.5	51.6	72.6	43.6	30.1	53	65	07
XT 151005 WL 7035	07815105	151.4	101.5	45	121.7	142.6	121.6	181.5	75.3	92.6	53.6	15	37.9	65	07
XT 151006 WL 7035	07815106	151.4	151.4	60	121.2	142.6	121.6	181.5	74.8	92.6	53.6	30	52.9	65	07
XT 181206 WL 7035	07818126	181.3	94.9	60.2	149	172.5	151.7	211.4	88.8	112.5	73.6	30.1	53.1	65	07
XT 211405 WL 7035	07821145	211.1	141.3	45.1	179	202.3	181.3	211.1	109	112.9	127.3	15.1	37.9	65	07

Scope Of Delivery: Lid and base, 4 screws



Z-2504704

Euromas X

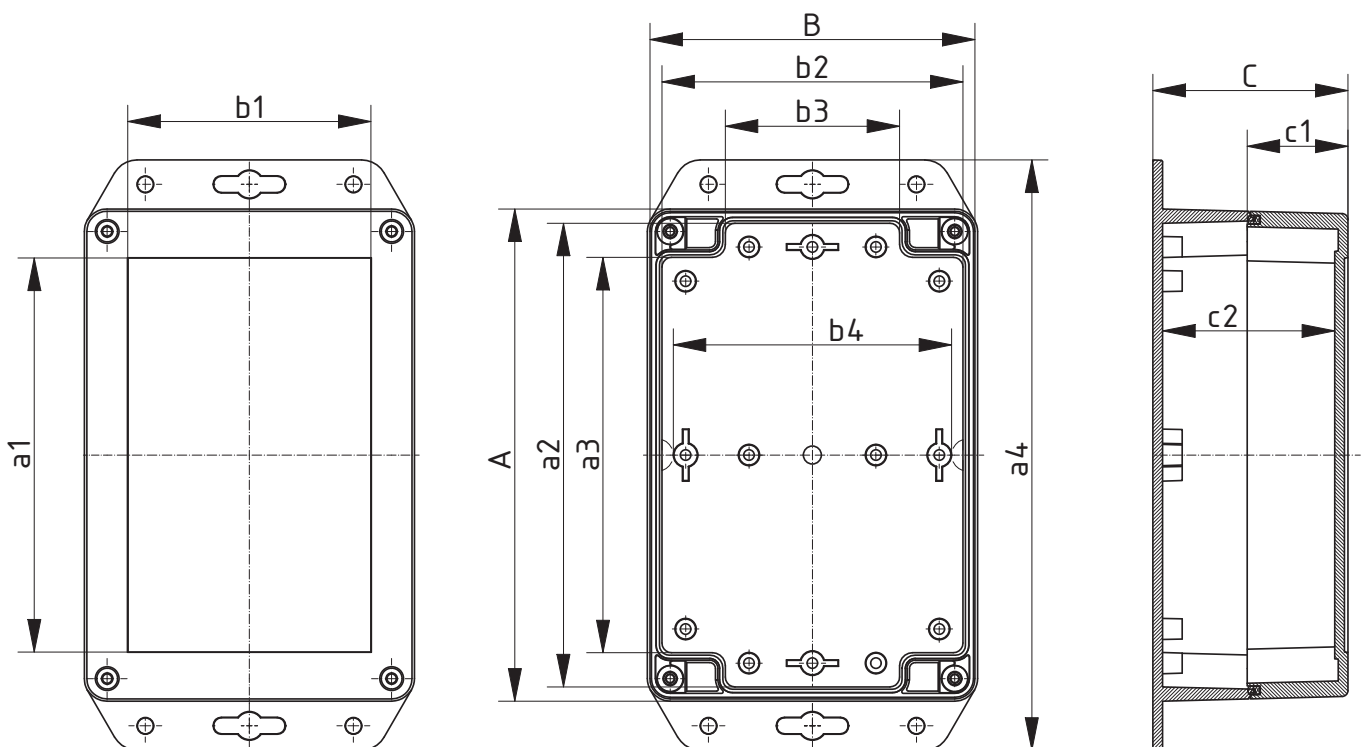
PC, single colour, with wall brackets



Enclosure, polycarbonate, with wall brackets

Model	Order no.	A	B	C	a1	a2	a3	a4	b1	b2	b3	c1	c2	IP	IK
XM 050504 WL 7035	07605054	45.9	46	40.1	-	38.6	29.1	72.9	-	38.6	29.1	15.2	34.3	66	07
XM 060604 WL 7035	07606064	61.1	61.3	40	38.8	52.9	33.6	91.3	38.8	52.9	33.6	15	33	66	07
XM 090604 WL 7035	07609064	91.1	61.3	39.9	68.9	82.9	60.8	121.3	38.9	52.9	33.6	15	32.8	66	07
XM 110704 WL 7035	07611074	105.2	71.3	40	74	97.6	78.9	131.3	49.6	62.6	34.9	15	32.9	66	07
XM 120805 WL 7035	07612085	121.4	81.5	45.2	92	112.6	92.6	151.5	56	72.6	43.6	15.1	38	66	07
XM 120806 WL 7035	07612086	121.4	81.5	60.2	91.6	112.6	92.6	151.5	51.6	72.6	43.6	30.1	53	66	07
XM 151005 WL 7035	07615105	151.4	101.5	45	121.7	142.6	121.6	181.5	75.3	92.6	53.6	15	37.9	66	07
XM 151006 WL 7035	07615106	151.4	100	60	121.2	142.6	121.6	181.5	74.8	92.6	53.6	30	52.9	66	07
XM 181206 WL 7035	07618126	181.3	94.9	60.2	149	172.5	151.7	211.4	88.8	112.5	73.6	30.1	53.1	66	07
XM 211405 WL 7035	07621145	211.1	141.3	45.1	179	202.3	181.3	211.1	109	112.9	127.3	15.1	37.9	66	07

Scope Of Delivery: Lid and base, 4 screws



Z-2504704

Euromas X

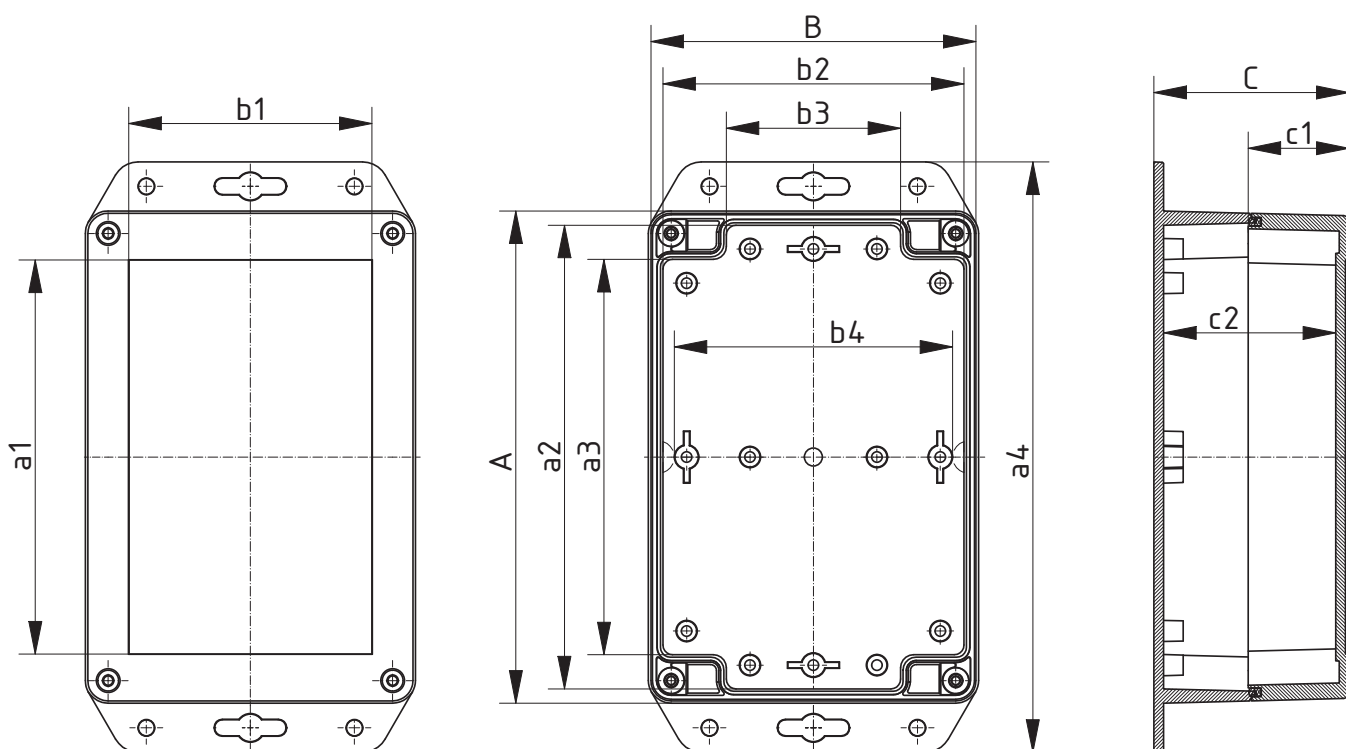
PC, crystal-clear lid, with wall brackets



Enclosure, polycarbonate, crystal-clear lid, with wall brackets

Model	Order no.	A	B	C	a1	a2	a3	a4	b1	b2	b3	c1	c2	IP	IK
XM 050504 G WL 7035	07705054	45.9	46	40.1	-	38.6	29.1	72.9	-	38.6	29.1	15.2	34.3	66	07
XM 060604 G WL 7035	07706064	61.1	61.3	40	38.8	52.9	33.6	91.3	38.8	52.9	33.6	15	33	66	07
XM 090604 G WL 7035	07709064	91.1	61.3	39.9	68.9	82.9	60.8	121.3	38.9	52.9	33.6	15	32.8	66	07
XM 110704 G WL 7035	07711074	105.2	71.3	40	74	97.6	78.9	131.3	49.6	62.6	34.9	15	32.9	66	07
XM 120805 G WL 7035	07712085	121.4	81.5	45.2	92	112.6	92.6	151.5	56	72.6	43.6	15.1	38	66	07
XM 120806 G WL 7035	07712086	121.4	81.5	60.2	91.6	112.6	92.6	151.5	51.6	72.6	43.6	30.1	53	66	07
XM 151005 G WL 7035	07715105	151.4	101.5	45	121.7	142.6	121.6	181.5	75.3	92.6	53.6	15	37.9	66	07
XM 151006 G WL 7035	07715106	151.4	100	60	121.2	142.6	121.6	181.5	74.8	92.6	53.6	30	52.9	66	07
XM 181206 G WL 7035	07718126	181.3	94.9	60.2	149	172.5	151.7	211.4	88.8	112.5	73.6	30.1	53.1	66	07
XM 211405 G WL 7035	07721145	211.1	141.3	45.1	179	202.3	181.3	211.1	109	112.9	127.3	15.1	37.9	66	07

Scope Of Delivery: Lid and base, 4 screws



Z-2504704