


22260115	DATA SHEET	
Valid from: 17.09.2018	AB-C5-DSI-M12MS-PG9-0,5	

Description

- Sensor/Actuator flush-type connector, 5-pos., A-coded, M12 quick locking
- Rear/screw mounting with PG9 thread, with 0.5 m TPE litz wire, 5 x 0.34 mm²



General characteristics

Number of poles	5
Connection type	Fixed connection
Status indicator	No
Coding	A-standard
Degree of protection	IP 67
Inflammability class acc. to UL 94	V0
Ambient temperature (operation)	-25 to +90 °C (-13 to 194 °F) (connector) -25 to +85 °C (-13 to 185 °F) (cable fixed installation)

Electrical properties

Nominal voltage U _N	60 V
Nominal current I _N	4 A
Surge voltage category	II
Pollution degree	3
Insulation resistance	20 mΩ*km
Contact resistance	3 mΩ

Mechanical properties


Connector

Contact, material	CuZn
Contact surface, material	Au
Contact carrier, material	PA66
Knurl, material	Zinc die-cast (nickel-plated)
Sealing, material	NBR

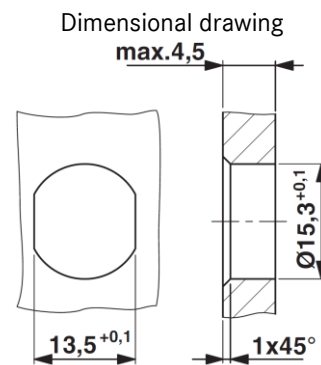
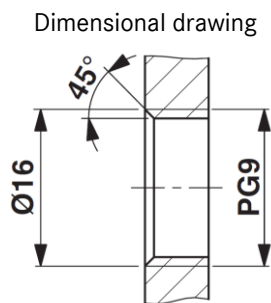
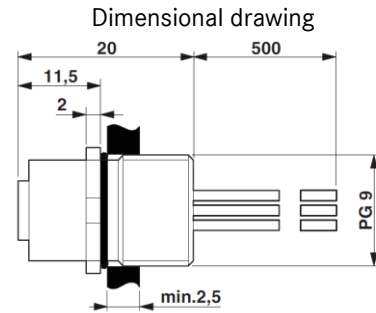
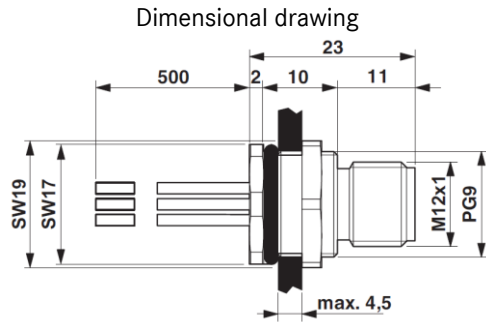
Line

Cable type	TPE litz wire
Conductor, material	Tin plated copper litz wires
Core insulation, material	PE
Conductor diameter including insulation	1.2 mm
Conductor cross section	0.34 mm ²
AWG signal line	22

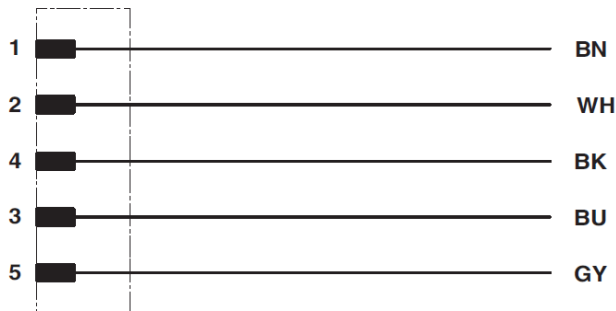
Creator: MOKO2/PDP Released: IVSE1/PDP	Document: DB22260115EN Version: 03	Page 1 of 2
---	---------------------------------------	-------------

22260115	DATA SHEET	
Valid from: 17.09.2018	AB-C5-DSI-M12MS-PG9-0,5	

Technical drawing



Circuit diagram



Circuit diagram



Application range

Connection of enclosures and cabinets

Note

Photographs are not true to scale and do not represent detailed images of the respective products.

Creator: MOKO2/PDP Released: IVSE1/PDP	Document: DB22260115EN Version: 03	Page 2 of 2
---	---------------------------------------	-------------