


22260135	DATA SHEET	
Valid from: 12.09.2019	AB-C5-M12MS-PG9-SH	

Product description

- Sensor/Actuator connector M12 A-coded
- Straight plug, 5-pole, shielded
- Screw connection, metal knurl, cable screw connection Pg9



General properties

Ambient temperature	-40 to +85 °C
Protection degree	IP 67
Coding	A-standard
Number of contacts	5
Outer diameter, cable	6.0 – 8.0 mm
Termination type	screw connection
Termination cross section, mm ²	0.25 – 0.75
Mating cycles	≥ 100

Electrical properties

Rated voltage	60 V
Contact resistance	≤ 3 mΩ
Insulation resistance	≥ 100 MΩ
Proof voltage, contact-contact	≥ 1.0 kV
Proof voltage, contact-housing	≥ 1.0 kV
Rated current	4 A
Overvoltage category	II
Pollution degree	3


Materials

Contact carrier	PA
Contact carrier, Inflammability class in acc. to UL 94	HB
Contacts, base material	CuZn
Contacts, surface	Au
Locking nut	Die-cast zinc, Ni plated
Grip body	Die-cast zinc, Ni plated
Sealing	NBR, FPM / FKM, CR

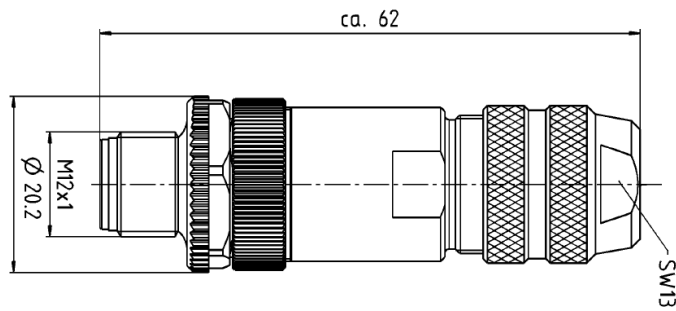
Standards

Product standard	M12-Connector acc. to DIN EN 61076-2-101
------------------	--

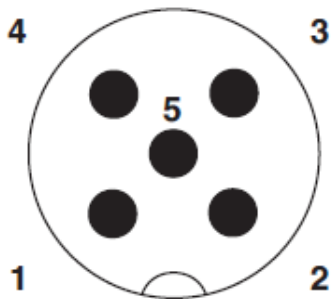
Creator: MANA2/PDP Released: IVSE1/PDP	Document: DB22260135EN Version: 06	Page 1 of 2
---	---------------------------------------	-------------

22260135	DATA SHEET	
Valid from: 12.09.2019	AB-C5-M12MS-PG9-SH	

Drawings



Pin assignment



Application range

Automation, industrial machinery and plant engineering

Note

Photographs are not true to scale and do not represent detailed images of the respective products.

Creator: MANA2/PDP Released: IVSE1/PDP	Document: DB22260135EN Version: 06	Page 2 of 2
---	---------------------------------------	-------------