


| | | |
|---------------------------|------------------------|---|
| 22260638 | DATA SHEET |  |
| Valid from: 12.09.2019 | AB-C5-M12FA-PG9 | |

Product description

Sensor/Actuator connector, angled socket, 5-pos., M12, A-coded, screw connection, metal knurl, cable screw connection Pg9



General properties

| | |
|--|------------------|
| Ambient temperature | -40 to +85 °C |
| Protection degree | IP 67 |
| Number of contacts | 5 |
| Outer diameter, cable | 6.0 – 8.0 mm |
| Termination type | screw connection |
| Termination cross section, AWG | 24 – 18 |
| Termination cross section, mm ² | 0.25 – 0.75 |
| Mating cycles | ≥ 100 |

Electrical properties

| | |
|--------------------------------|----------|
| Rated voltage | 60 V |
| Contact resistance | ≤ 8mΩ |
| Insulation resistance | ≥ 100 MΩ |
| Proof voltage, contact-contact | ≥ 1.0 kV |
| Proof voltage, contact-housing | ≥ 1.0 kV |
| Rated current | 4 A |
| Overvoltage category | II |
| Pollution degree | 3 |


Materials

| | |
|--|--------------------------|
| Contact carrier | PA |
| Contact carrier, Inflammability class in accordance with UL 94 | V0 |
| Contacts, base material | CuZn |
| Contacts, surface | CuSnZn |
| Locking nut | Die-cast zinc, Ni plated |
| Grip body | PA |
| Sealing | NBR / FKM |

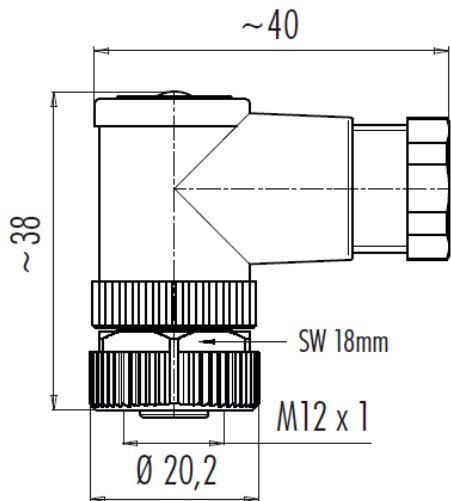
Standards

| | |
|------------------|--|
| Product standard | M12-Connector acc. to DIN EN 61076-2-101 |
|------------------|--|

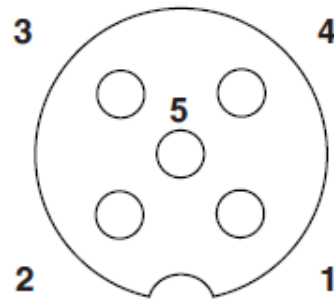
| | | |
|---|---------------------------------------|-------------|
| Creator: MANA2/PDP Released: IVSE1/PDP | Document: DB22260638EN Version: 05 | Page 1 of 2 |
|---|---------------------------------------|-------------|

| | | |
|---------------------------|-------------------|---|
| 22260638 | DATA SHEET |  |
| Valid from: 12.09.2019 | AB-C5-M12FA-PG9 | |

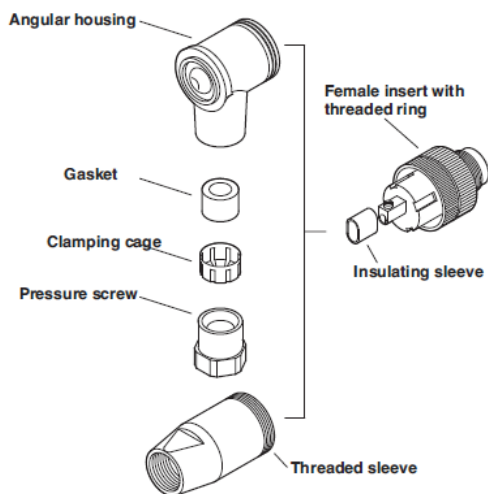
Drawings



Pin assignment



Assembly instruction



Application range

Automation, industrial machinery and plant engineering

Note

Photographs are not true to scale and do not represent detailed images of the respective products.

| | | |
|---|---------------------------------------|-------------|
| Creator: MANA2/PDP Released: IVSE1/PDP | Document: DB22260638EN Version: 05 | Page 2 of 2 |
|---|---------------------------------------|-------------|