


22260640	DATA SHEET	
Valid from: 16.09.2019	AB-C4-M12FS-PG7	

Product description

Sensor/Actuator connector, straight socket, 4-pos., M12, A-coded, screw clamp connection, metal knurl, cable screw connection Pg7



General properties

Ambient temperature	-40 to +85 °C
Protection degree	IP 67
Number of contacts	4
Outer diameter, cable	4.0 – 6.0 mm
Termination type	screw clamp connection
Termination cross section, AWG (max.)	18
Termination cross section, mm ² (max.)	0.75
Mating cycles	≥ 50

Electrical properties

Rated voltage	250 V
Insulation resistance	≥ 10 ⁸ Ω
Proof voltage, contact-contact	≥ 1.4 kV
Proof voltage, contact-housing	≥ 1.4 kV
Rated current (40°)	4 A
Overvoltage category	II
Pollution degree	3


Materials

Contact carrier	PA
Contacts, base material	CuZn
Contacts, surface	CuSnZn
Locking nut	Die-cast zinc, Ni plated
Grip body	PA

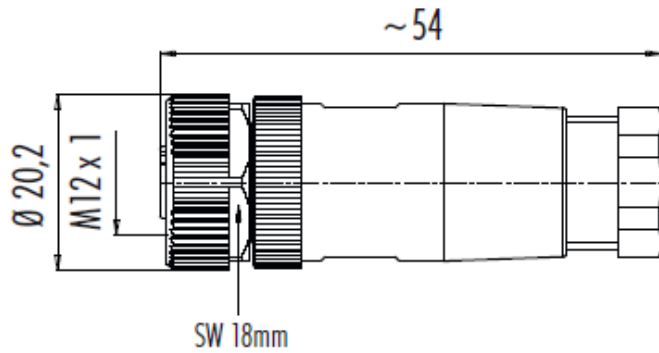
Standards

Product standard	M12-Connector acc. to DIN EN 61076-2-101
------------------	--

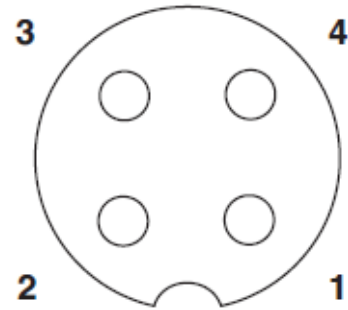
Creator: MANA2/PDP Released: IVSE1/PDP	Document: DB22260640EN Version: 06	Page 1 of 2
---	---------------------------------------	-------------

22260640	DATA SHEET	
Valid from: 16.09.2019	AB-C4-M12FS-PG7	

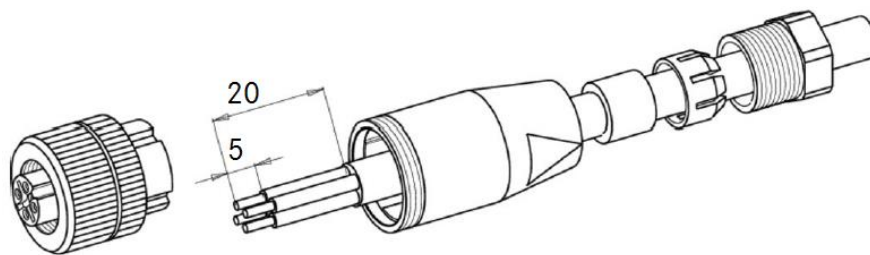
Drawings



Pin assignment



Assembly instruction



Application range

Automation, industrial machinery and plant engineering

Note

Photographs are not true to scale and do not represent detailed images of the respective products.

Creator: MANA2/PDP Released: IVSE1/PDP	Document: DB22260640EN Version: 06	Page 2 of 2
---	---------------------------------------	-------------