


22260999	<b>DATA SHEET</b>	
Valid from: 11.05.2023	<b>AB-C4-DSI-M12MS-M12-0,5</b>	

## Description

M12 power flush-type connector, flange socket, straight, 4-pole, A-coded, front panel mount with M 12 thread, positionable



## General characteristic values

Connector design	Flange connector
M12 Coding	A Coding
Connector locking	Screw
Connection type	Crimp
Contact Ø, pin	1 mm
Connection cross section (mm)	0,34 mm <sup>2</sup>
Connection cross-section	22
Upper limit temperature	+ 85 °C
Lower limit temperature	- 40 °C
Material contact	CuZn (Brass)
Contact surface	Au (Gold)
Material contact body	PA / UL 94 V0, black
Material housing	Zinc die casting nickel plated
Material strands	TPE
Seal	NBR
Potting	PU / UL 94 V0
Tightening torque:	
- with flat seal or O-ring	2 - 3 Nm
- With molded seal	1,5 - 2 Nm

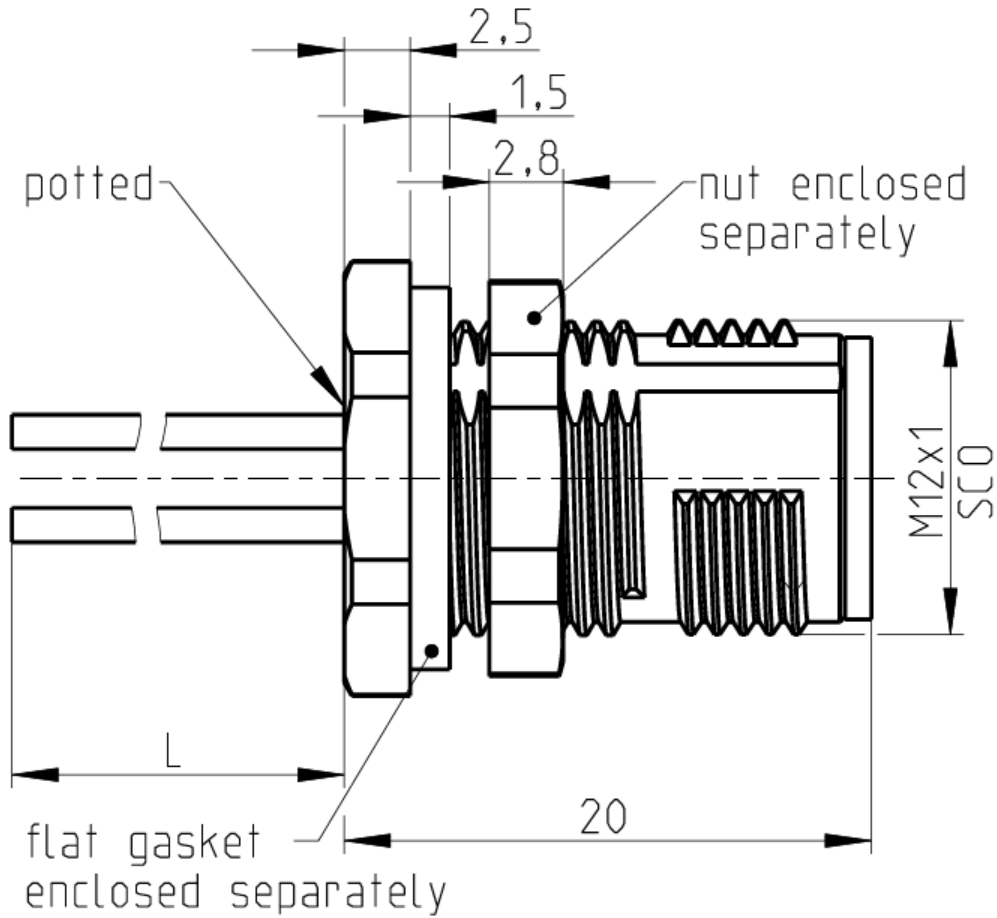
## Electrical characteristics

Rated voltage	250 V
Rated impulse withstand voltage	2,5 kV
Pollution level	3
Overvoltage category according to DIN EN 60664-1	II
Rated current (40°C)	4 A
Contact resistance	≤ 3 mΩ
Protection class	IP 67
Mechanical life	>100 Mating cycles

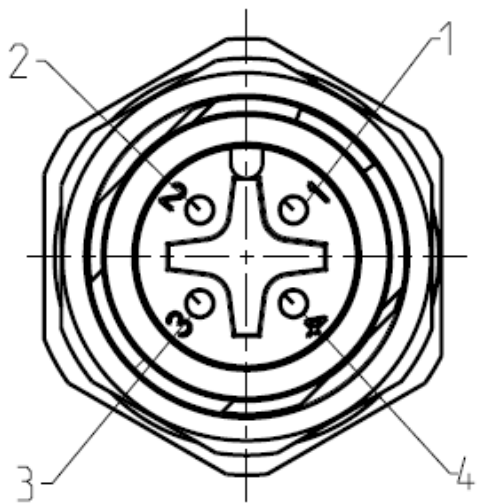
Creator: THLE3/PDP Released: DAMU/PDP	Document: DB22260999DE Version: 00	Page 1 of 3
--	---------------------------------------	-------------


22260999	<b>DATA SHEET</b>	
Valid from: 11.05.2023	AB-C4-DSI-M12MS-M12-0,5	

**Technical drawings and dimensions**

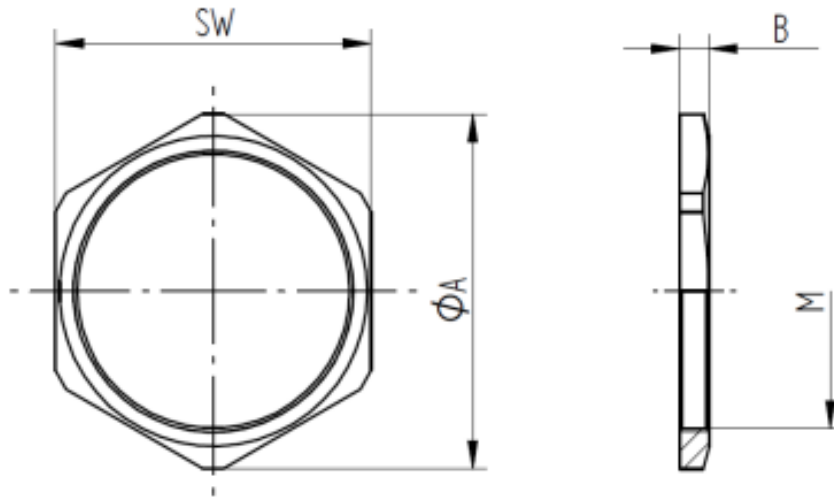


**Pole image**



22260999	<b>DATA SHEET</b>	
Valid from: 11.05.2023	<b>AB-C4-DSI-M12MS-M12-0,5</b>	

### Mounting



Thread M	Width across flats SW in mm	Diameter ØA in mm	Thickness B in mm	Item no. Brass	Item no. Brass lead free
M12x1,5	15	16,5	3	52103000	52103000LF

### Note

Matching hexagon nut- LAPP 52103020 SKINDICHT SM-M 20x1,5

### Fields of application

Automation, mechanical and plant engineering ; Plant, control and electrical equipment manufacturing

### Note

The photographs are not to scale and are not detailed images of the respective products.

Creator: THLE3/PDP Released: DAMU/PDP	Document: DB22260999DE Version: 00	Page 3 of 3
--	---------------------------------------	-------------