


22262123	<b>DATA SHEET</b>	
Valid from: 12.09.2019	<b>AB-C4-M12MS-PG7-VA-SKINTOP®</b>	

## Product description

Sensor/Actuator connector, straight plug, 4-pos., M12, screw connection, stainless steel, cable screw connection Pg7.



## General properties

Ambient temperature	-40 to +100 °C
Protection degree	IP 68 / IP69
Number of contacts	4
Outer diameter, cable	4.0 – 6.5 mm
Termination type	screw connection
Termination cross section, AWG	≤ 20
Termination cross section, mm <sup>2</sup>	0.25 – 0.75
Mating cycles	≥ 100

## Electrical properties

Rated voltage	250 V
Contact resistance	≤ 3 mΩ
Proof voltage, contact-contact	≥ 1.4 kV
Proof voltage, contact-housing	≥ 1.4 kV
Rated current	4 A
Overvoltage category	II
Pollution degree	3

## Materials

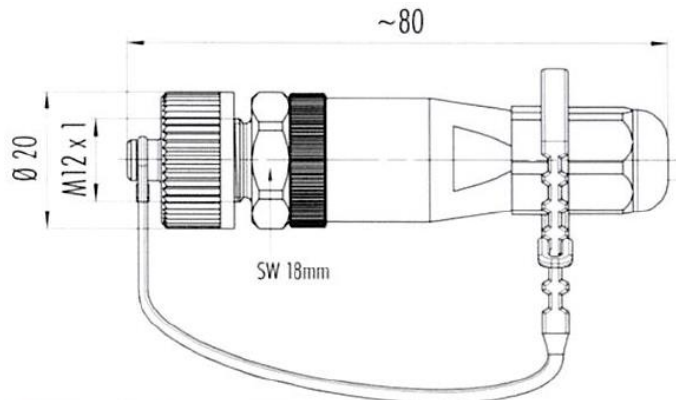
Contact carrier	PA
Contacts, base material	CuZn
Contacts, surface	Au
Locking nut	stainless steel
Grip body	PA
Sealing	NBR / FKM

## Standards

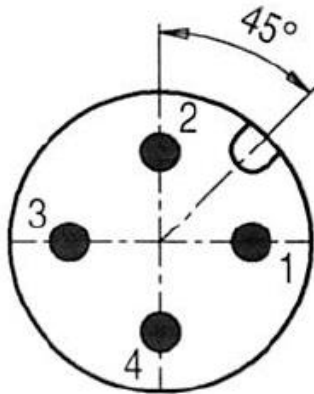
Product standard	M12-Connector acc. to ICE EN 61076-2-101
------------------	--

Creator: MANA2/PDP Released: IVSE1/PDP	Document: DB22262123EN Version: 03	Page 1 of 2
---	---------------------------------------	-------------

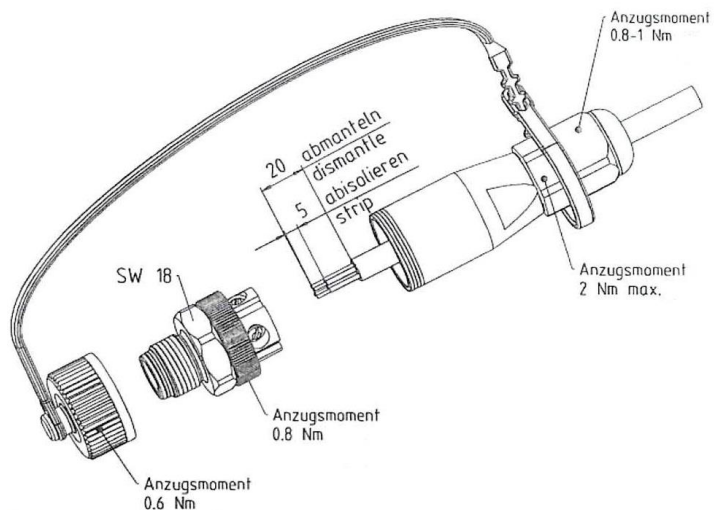
## Drawings



## Pin assignment



## Assembly instruction



## Note

Photographs are not true to scale and do not represent detailed images of the respective products.