


| | | |
|---------------------------|------------------------|---|
| 10427500 | DATA SHEET |  |
| Valid from: 17.09.2018 | EPIC® H-A 3 MTs | |

Description

- Innovative metal and plastic housing design
- Housing in plastic or metal version. For power supply in the smallest possible space



General characteristics

| | |
|-----------------------------|---|
| Series | H-A 3 |
| Version | Hood PG 11 |
| Locking mechanism | bolts for single lever |
| Cable entry | lateral |
| Cable gland | yes |
| Cable gland, clamping range | 6,5 – 12,0 mm |
| Protection rating | IP 65 (latched) |
| Temperature range | -40 °C to +100 °C, short-term up to +125 °C |

Materials and surfaces

| | |
|------------------------|----------------------|
| Housing, base material | zinc die-casting |
| Housing, surface | powder-coating, grey |
| Gasket | NBR |


Approvals

| | |
|----------------------------|------|
| VDE-Approval, VDE-REG.-Nr. | B437 |
|----------------------------|------|

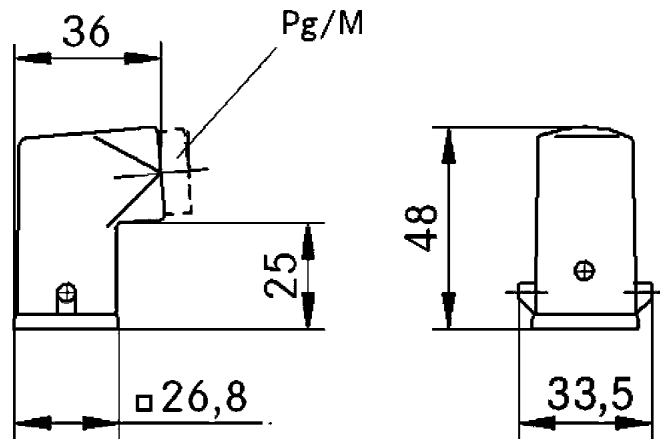
Standard

| | |
|-----------------|-----------|
| Safety Standard | IEC 61984 |
|-----------------|-----------|

| | | |
|---|---------------------------------------|-------------|
| Creator: MANA2/PDP Released: IVSE1/PDP | Document: DB10427500EN Version: 01 | Page 1 of 2 |
|---|---------------------------------------|-------------|

| | | |
|---------------------------|-------------------|---|
| 10427500 | DATA SHEET |  |
| Valid from: 17.09.2018 | EPIC® H-A 3 MTs | |

Technical Drawings



Industrial machinery and plant engineering



Mechanical resistance



Robust



Waterproof

Info

Compact, robust metal housings size H-A 3

Application range

Machine and equipment manufacturing
Control engineering
Electronic laboratory

Remark

Photographs are not to scale and do not represent detailed images of the respective products.

| | | |
|---|---------------------------------------|-------------|
| Creator: MANA2/PDP Released: IVSE1/PDP | Document: DB10427500EN Version: 01 | Page 2 of 2 |
|---|---------------------------------------|-------------|