


44423146	DATA SHEET	
Valid from: 31.08.2023	EPIC® POWER M12	

Description:

- Circular connector for servo engines and power supply
- Thin M16x1,5 version with pre-assembled cord (4x AWG 16)
- High-grade gold-plated contacts



Male connector

Female connector

Product variants:

Article number	Type	Pin-arrangement	Mounting type
44423146	Male; flange connector	3+PE S-Coded	M16x1,5 with 4x thin plated PVC single cord AWG 16; 0,2m
44423147	Female; flange connector	3+PE S-Coded	M16x1,5 with 4x thin plated PVC single cord AWG 16; 0,2m

General characteristics:

Series	POWER M12
Coding	S-Coded
Type	Male / female flange connector
Pin configuration	3+PE
Rated voltage (V)	630 V
Rated impulse voltage (V)	6 kV
Degree of soiling	3
Overvoltage category	III
Insulation material group	II
Rated current (A)	12 A
Contact resistance	≤ 5 mΩ
Termination methods	Pre-assembled cord
Mounting type	M 16x1,5
Protection	IP 68 according to IEC 60529
Cycles of mechanical operation	>100
Temperature range	-40°C to +85°C
Tightening torque	0,6 Nm (M12 knurl)

Material/surface:

Contact material	CuZn (Brass)
Contact plating	Au (Gold)
Contact support material	PA (Polyamid)

Standards:

Product standard	DIN EN 61076-2-111
Safety Standard	UL2238, CSA 22.2 182.3

Approvals:

UL-File Number	E249137
----------------	---------

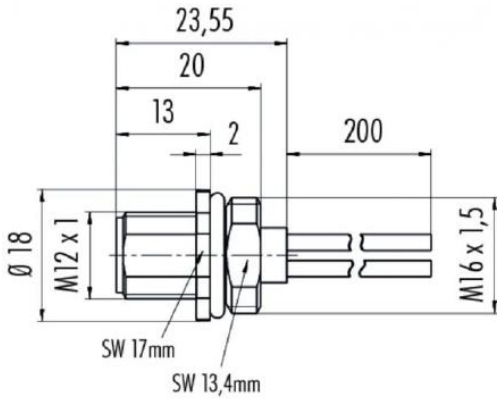


Creator: STKU3/PDP Released: IVSE1/PDP	Document: DB44423146EN Version: 02	Page 1 of 2
---	---------------------------------------	-------------

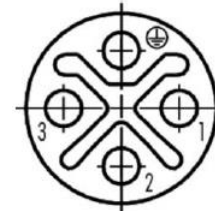
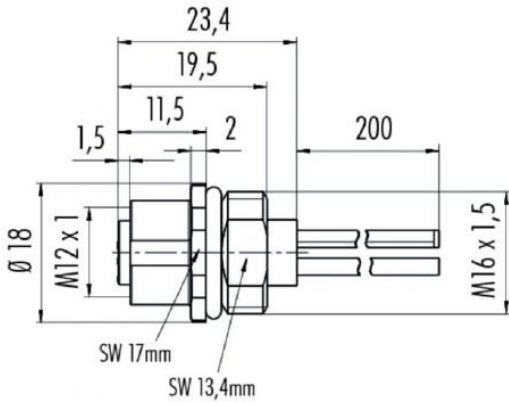
Technical drawing:

Pin-arrangement:

Male connector

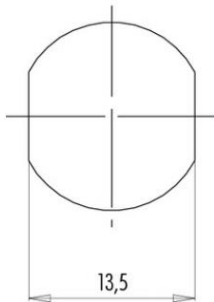


Female connector

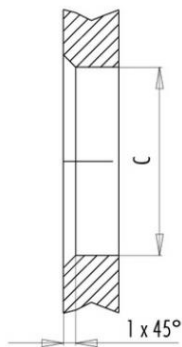


Mounting cutout:

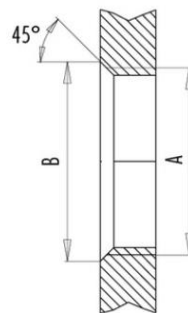
Mit Fläche als Verdrehenschutz
With flats as anti-rotation device



Mit Durchgangsbohrung
With bore hole



Mit Gewinde, einschraubbar
With thread to screw in



alternativ/alternativ

	A	B	C
PG 9	PG 9	16,2	15,3
M16x1,5	M16x1,5	17,0	16,1

Anzugsdrehmoment/Tightening torque

Metallgehäuse/Metal housing	6,25 Nm
Kunststoffgehäuse/Plastic housing	3,75 Nm

Application range:

Power supply for compact engines.

Remark:

Photographs are not to scale and do not represent detailed images of the respective products.
Further information can be found in the product standard.