


72004000	DATA SHEET	
Valid from: 28.07.2021	EPIC[®] SIGNAL M23 A1	

Description

- Circular connectors for servo cables and encoders
- Safe fixing with 4 screws
- Permanent vibration protection



General characteristics

Series	SIGNAL M23
Version	Panel-mount box, front wall mounting
Protection rating	IP 68 (10 h / 1 m)
Temperature range	-25 °C to +125 °C

Product variations

Article number	Coding	Fastening type	PU
72004000	black (N)	Ø2,7mm (4x)	5
72004010	black (N)	Ø2,7mm (4x)	20
72004200	red (+20°)	Ø2,7mm (4x)	5
72004210	red (+20°)	Ø2,7mm (4x)	20
72004100	blue (-20°)	Ø2,7mm (4x)	5
72004110	blue (-20°)	Ø2,7mm (4x)	20

Materials and surfaces

Housing	Nickel plated zinc die-casting
Sealing	FPM


Approvals

VDE-Approval, VDE-REG.-Nr.	C024
UL File Number	E249137

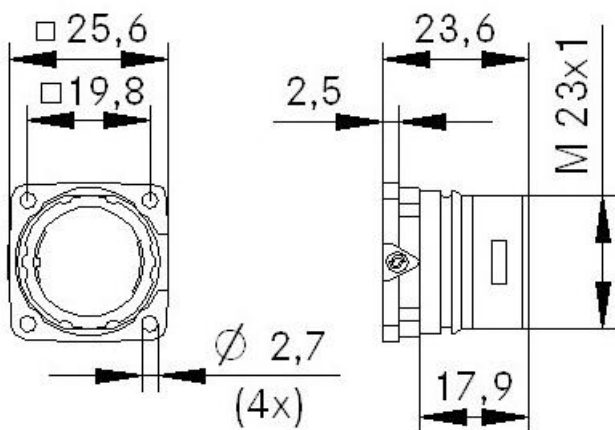
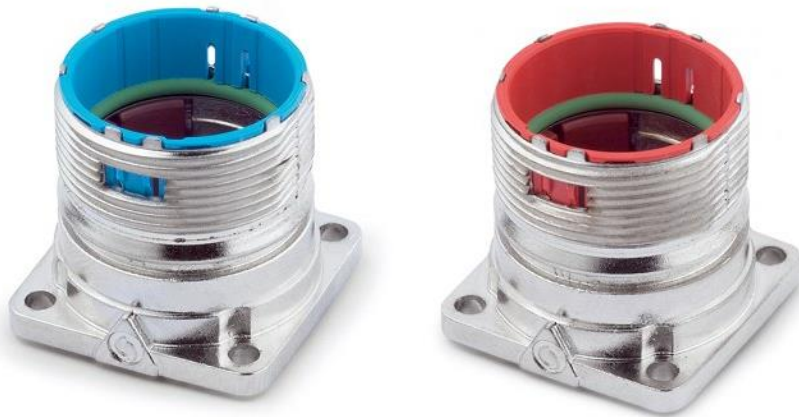
Standard

Safety Standard	IEC 61984, UL 2238, CSA 22.2 182.3
-----------------	------------------------------------

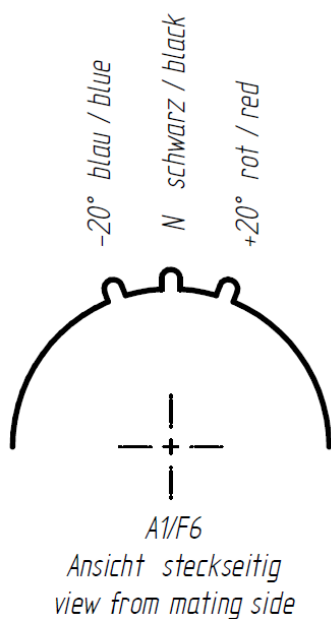
Creator: MANA2/PDP Released: IVSE1/PDP	Document: DB72004000EN Version: 03	Page 1 of 3
---	---------------------------------------	-------------

72004000	DATA SHEET	
Valid from: 28.07.2021	EPIC® SIGNAL M23 A1	


Drawings



Coding



Creator: MANA2/PDP Released: IVSE1/PDP	Document: DB72004000EN Version: 03	Page 2 of 3
---	---------------------------------------	-------------

72004000	DATA SHEET	
Valid from: 28.07.2021	EPIC[®] SIGNAL M23 A1	



Good chemical resistance



Industrial machinery and plant engineering



Robust



Waterproof



Wind energy



Variety of approval certifications

Info

Colour coding for easy connecting

Application range

Plant engineering
 Servo drives and Servo assemblies
 Measurement and control technology

Remark

Photographs are not to scale and do not represent detailed images of the respective products.

Creator: MANA2/PDP Released: IVSE1/PDP	Document: DB72004000EN Version: 03	Page 3 of 3
---	---------------------------------------	-------------