


73000020	DATA SHEET	
Valid from: 18.09.2020	EPIC® POWER LS1 F7 5+PE	

Description

- Circular connectors for servomotors and power supply
- High power at smallest installation space
- Optimal solution for electric motors
- EMC-optimised design
- Safety use in field environment by high protection class



General Characteristics

Series	POWER LS 1
Version	Cable coupler with mounting flange for male contacts
Pin configuration	5+PE
Rated voltage (V)	630 V (2mm Contacts)
Rated impulse voltage	6 kV (2mm Contacts)
Rated current (A)	25A/5+PE (2mm Contacts)
Contact resistance	< 4 mOhm
Contacts	Gold plated brass
Number of contacts	5+PE
Termination methods	Crimp termination: 0.5 – 2.5 mm ² (2 mm contacts)
Protection	IP 68
Cycle of mechanical operation	500
Temperature range	-25°C to +125°C
Degree of soiling	3

Product Variations


Package unit = 20 pcs: Contacts must be ordered separately

Article- Number	Article	Contacts included	Cable clamping range mm	Fastening type	Pin configuration
Type LS1 F7, cable coupler with mounting flange, 6-pin, for male contacts					
73000020	LS1 F7	6	8,5 - 11	Ø3,2mm (4x), M25x1,5 (with nut)	5+PE
73000021	LS1 F7	6	10,5 - 15,5	Ø3,2mm (4x), M25x1,5 (with nut)	5+PE
73000023	LS1 F7		10,5 - 15,5	Ø3,2mm (4x), M25x1,5 (with nut)	5+PE
76143000	LS1 F7	6	7,5 - 15,5	Ø3,2mm (4x), M25x1,5 (with nut)	5+PE

Materials and Surfaces

Housing	Nickel-plated zinc die-casting, nickel-plated brass
Insert	PA
Seal	FPM

Creator: STKU3/PDP Released: IVSE1/PDP	Document: DB73000020EN Version: 04	Page 1 of 3
---	---------------------------------------	-------------

73000020	DATA SHEET	
Valid from: 18.09.2020	EPIC® POWER LS1 F7 5+PE	

Approvals

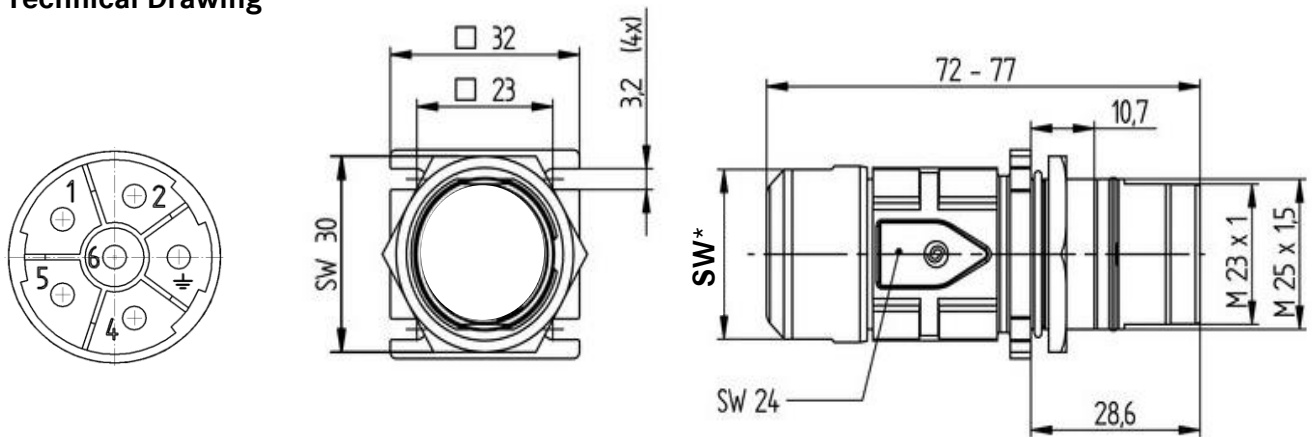
VDE-Approval, VDE-REG.-Nr. B025
 UL-File-Number E249137

Standard

Safety Standard IEC 61984, UL 2238, CSA 22.2 182.3



Technical Drawing



Article Number	*Wrench size
73000020	26
73000021	26
73000023	26
76143000	27



Good chemical resistance



Corrosion-resistant




Industrial machinery and plant engineering



Maximum vibration protection

Creator: STKU3/PDP Released: IVSE1/PDP	Document: DB73000020EN Version: 04	Page 2 of 3
---	---------------------------------------	-------------

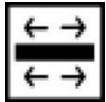
73000020	DATA SHEET	
Valid from: 18.09.2020	EPIC® POWER LS1 F7 5+PE	



Mechanical resistance



Assembly time



Optimum strain relief



Space requirement



Robust



Integrated SKINTOP® cable gland



Waterproof



Wind Energy



Variety of approval certifications

Info

For fast and safe wall mounting of a cable extension

Application range

Plant engineering

Servo drives and servo assemblies

Remark

Photographs are not to scale and do not represent detailed images of the respective products.

Creator: STKU3/PDP Released: IVSE1/PDP	Document: DB73000020EN Version: 04	Page 3 of 3
---	---------------------------------------	-------------