


76083000	<b>DATA SHEET</b>	
Valid from: 18.09.2020	<b>EPIC® POWER LS1 A6 5+PE</b>	

## Description

- Circular connectors for servomotors and power supply
- High power at smallest installation space
- Optimal solution for electric motors
- EMC-optimised design
- Safety use in field environment by high protection class



## General Characteristics

Series	POWER LS 1
Version	Front wall mounting for male contacts
Pin configuration	5+PE
Rated voltage (V)	630 V (2mm Contacts)
Rated impulse voltage	6 kV (2mm Contacts)
Rated current (A)	25A/5+PE (2mm Contacts)
Contact resistance	< 4 mOhm
Contacts included	Yes
Contacts	Gold plated brass
Number of contacts	5+PE
Termination methods	Crimp termination: 0.5 - 2.5 mm <sup>2</sup> (2 mm contacts)
Cable clamping range	Ø2,7mm(4x)
Protection	IP 68
Cycle of mechanical operation	500
Temperature range	-25°C to +125°C
Degree of soiling	3

## Product Variation

76083510 PU =20 pieces: the contacts must be ordered separately

## Materials and Surfaces

Housing	Nickel-plated zinc die-casting, nickel-plated brass
Insert	PA
Seal	FPM
Contact	Brass
Contact surface	Au

## Approvals


VDE-Approval, VDE-REG.-Nr.	B025
UL-File-Number	E249137

## Standard

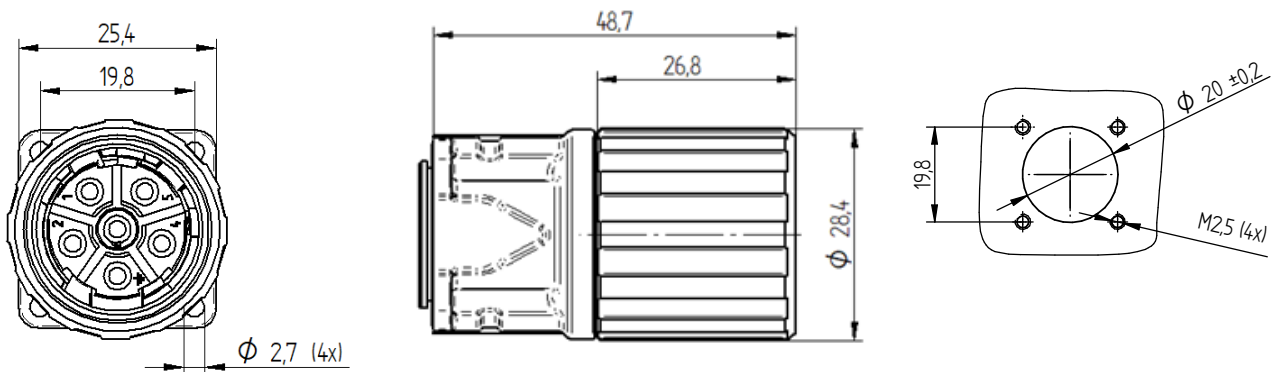
Safety Standard IEC 61984, UL 2238, CSA 22.2 182.3



Creator: STKU3/PDP Released: IVSE1/PDP	Document: DB76083000EN Version: 04	Page 1 of 3
---	---------------------------------------	-------------

76083000	<b>DATA SHEET</b>	
Valid from: 18.09.2020	<b>EPIC® POWER LS1 A6 5+PE</b>	

### Technical Drawings



Good chemical resistance



Corrosion-resistant



Industrial machinery and plant engineering



Maximum vibration protection



Mechanical resistance



Assembly time




Space requirement



Robust

Creator: STKU3/PDP Released: IVSE1/PDP	Document: DB76083000EN Version: 04	Page 2 of 3
---	---------------------------------------	-------------

76083000	<b>DATA SHEET</b>	
Valid from: 18.09.2020	<b>EPIC® POWER LS1 A6 5+PE</b>	



Waterproof



Wind Energy



Variety of approval certifications

### Application range

Plant engineering

Servo drives and servo assemblies

### Remark

Photographs are not to scale and do not represent detailed images of the respective products.

Creator: STKU3/PDP Released: IVSE1/PDP	Document: DB76083000EN Version: 04	Page 3 of 3
---	---------------------------------------	-------------