

29130088	DATA SHEET
Valid from: 30.11.2018	POF CONNECTOR FSMA HEX CLAMP 2.2 /50PC

Description

- POF optical fibre connector F-SMA
- Suitable for polymer optical fibres
- Easy manufacturing by clamping



General characteristics

Connector, type (acc. IEC 61754-22)	F-SMA
Suitable optical fibres (acc. IEC60793-2-40)	A4a & A4d (Polymer fibre, Ø1 mm)
Suitable cable-Ø	2.2 mm
Degree of protection	IP 20
Bend protection colour	Red (50%), black (50%)
Temperature range	-40 to +85 °C (-40 to +185 °F) (operation + storage)

Variation

Article	Description	Nut-profile	Package size [pcs]
29130088	POF Connector FSMA Hex Clamp 2.2 /50PC	Hexagon	50
29130089	POF Connector FSMA Hex Clamp 2.2 /4PC	Hexagon	4
29130098	POF Connector FSMA Clamp 2.2 /50PC	Knurl	50
29130099	POF Connector FSMA Clamp 2.2 /4PC	Knurl	4

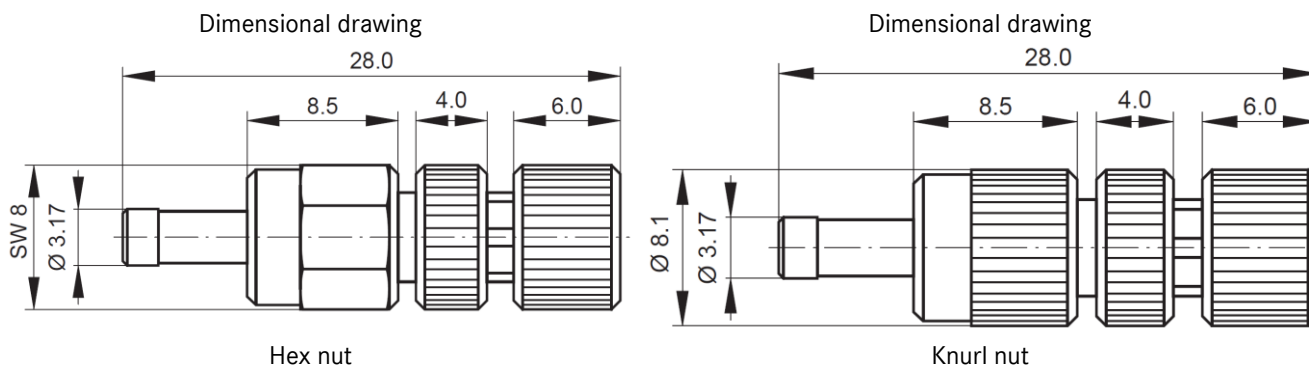
Optical properties

Typical insertion loss (IL) ≤ 2.50 dB

Mechanical properties

Housing, material	Nickel silver
Ferrule, material	Nickel silver
Screw nut, material	Nickel silver
Bend protection, material	TPE
Dust cover	HD-PE
Retention force of fibre (after cable clamping)	≥ 40 N

Technical drawing



Application range

Optical networks, industry electronics, power electronics, consumer electronics

Note

Photographs are not true to scale and do not represent detailed images of the respective products.