

6220 0453	<b>DATA SHEET</b>
Valid from: 17.05.2018	<b>Cable Trolley C-Rail (C30) Stainless Steel</b>

The Cable Trolley System is designed for C-Rail (C30) and is available as flat- and round cable system  
The fastening components are suitable for both systems.

**Material:**

Metal Parts	Stainless steel SS 2343
Screws	Stainless steel A4
Clamps	Polyamide 6

**Technical features**

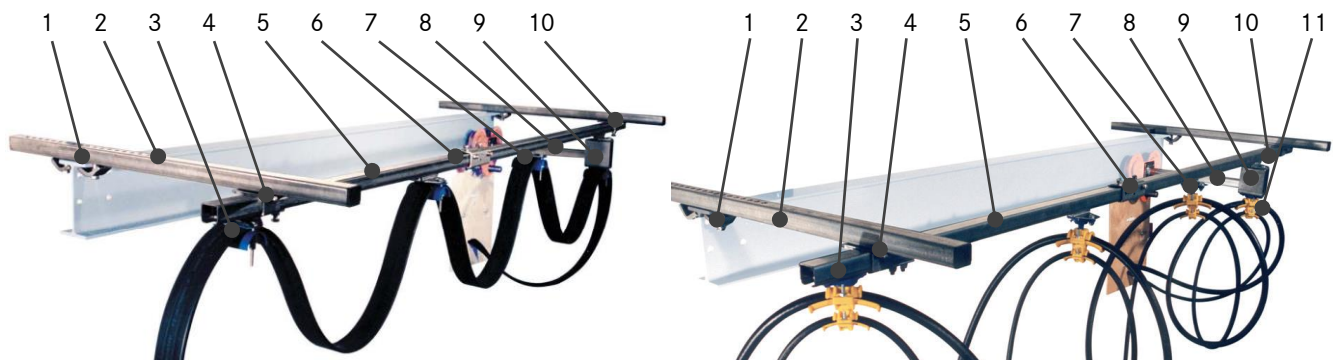
Temperature range	-40°C up to +120°C
Max. Load	20kg / Cable Trolley

**Additional product data:**

ETIM 5.0 Class-ID: EC002935  
ETIM 5.0 Class-Description: Accessories for Cable Trolley Systems


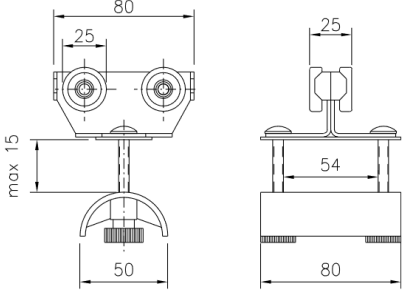

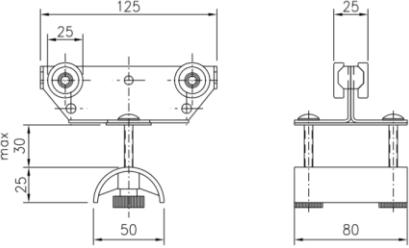

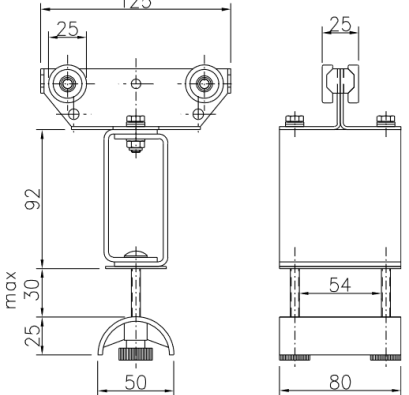

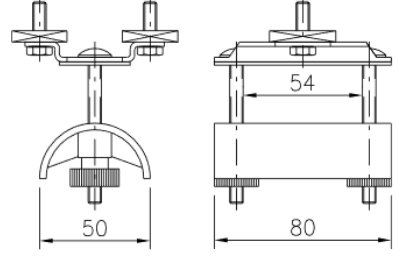

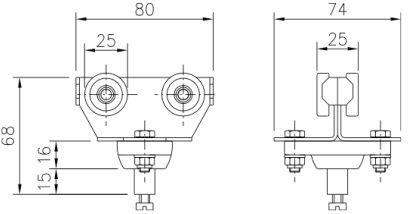
**Notes:**

- The bending radius corresponds to a permanent installation.
- Cable Trolleys with the addition „b“ are suitable for cables with higher bending radius.


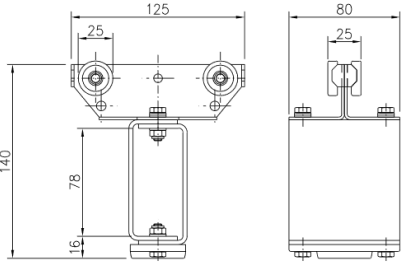

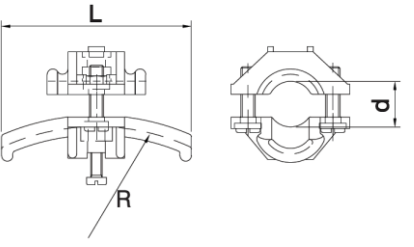

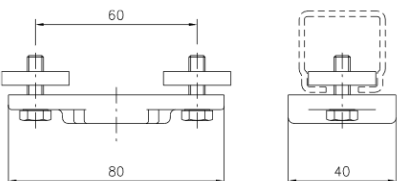



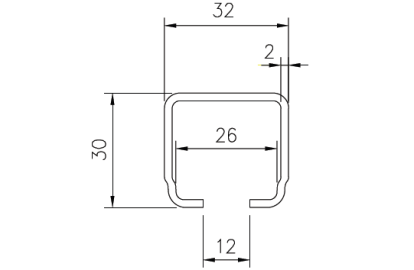

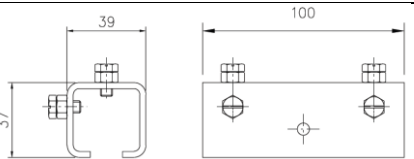

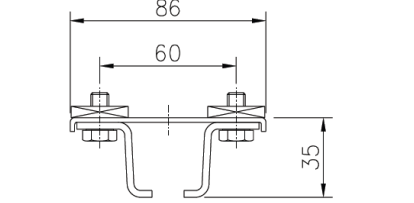
1. Girder clips
2. Support arm
3. End clamp
4. Support bracket
5. C-rail
6. Track coupler
7. Cable trolley
8. Towing arm
9. Towing trolley
10. End stop
11. Cable clamp round

6220 0453	<b>DATA SHEET</b>
Valid from: 17.05.2018	<b>Cable Trolley C-Rail (C30) Stainless Steel</b>


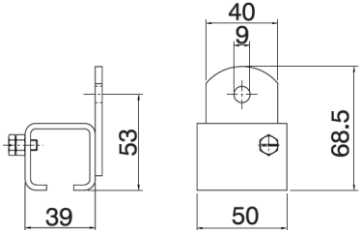

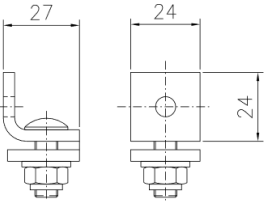



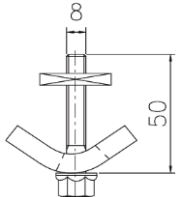

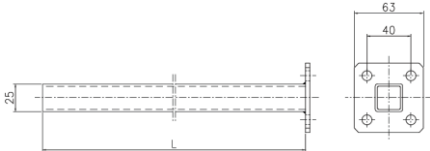
Description	Max. Cable measure mm	Measures mm	Weight kg	Image	Drawing
<b>Cable Trolleys Flat Cable C30-Rail</b>					
Cable Trolley flat C30 15x54 Stainless steel  Part No. 62200453	15 x 54	L = 80 D = 50 B1 = 80 B2 = 54	0,28		
Cable Trolley flat C30 30x54 Stainless steel  Part No. 62200462	30 x 54	L = 125 D = 50 B1 = 80 B2 = 54	0,36		
Towing trolley flat C30 Stainless steel  Part No. 62200630	30 x 54	L = 125 D = 50 B1 = 80 B2 = 54	0,6		
End clamp flat C30 Stainless steel  Part No. 62200640	30 x 54	D = 50 B1 = 80 B2 = 54	0,20		
<b>Cable Trolley Round Cable C30-Rail</b>					
Cable Trolley round C30 Stainless steel  Part No. 62200120		L = 80	0,26		

6220 0453	<b>DATA SHEET</b>
Valid from: 17.05.2018	<b>Cable Trolley C-Rail (C30) Stainless Steel</b>

Description	Max. Cable measure mm	Measures mm	Weight kg	Image	Drawing
<b>Part No.</b> Towing trolley round C30 Stainless steel  Part No. 62200680		L = 125	0,57		
Cable clamp round 10-16mm Stainless steel Part No. 62200130	10 - 16	R = 80 L = 70	0,04		
Cable clamp round 17-25mm Stainless steel Part No. 62200463	17 - 25	R = 125 L = 100	0,06		
Cable clamp round 26-36mm Stainless steel Part No. 62200700	26 - 36	R = 160 L = 140	0,12		
Cable clamp round Stainless steel  Part No. 62200690			0,09		

Description	Measures mm	Weight kg	Image	Drawing
<b>Part No.</b>	<b>mm</b>	<b>kg</b>		
<b>Attachments Cable Trolleys Round- and Flat Cable</b>				
C-Rail 6m C30 Stainless steel  Part No. 62200454	L = 6000	9,3		
Track coupler C30 Stainless steel  Part No. 62200600		0,28		
Support bracket with square nuts C30 Stainless steel  Part No. 62200610		0,24		

6220 0453	<b>DATA SHEET</b>
Valid from: 17.05.2018	<b>Cable Trolley C-Rail (C30) Stainless Steel</b>

Description	Measures	Weight	Image	Drawing
Part No.	mm	kg		
<b>Attachments Cable Trolleys Round- and Flat Cable</b>				
Support bracket for wall mounting C30 Stainless steel  Part No. 62200487		0,20		
End Stop C30 Stainless steel  Part No. 62200620		0,13		
Support arm 800mm C30 Stainless steel Part No. 62200660	L = 800	1,25		
Girder clips 2 for each support arm Stainless steel  Part No. 62200670		0,15		
Towing arm 400mm Stainless steel  Part No. 62200650	L = 400	0,6		

**Footnote:**

The images are no scaled and detailed images from the products.