

55001200	DATA SHEET	
Valid from: 03.07.2018	SILVYN® KSE	

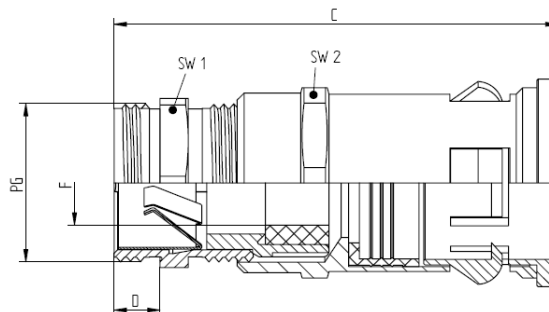
SILVYN® KSE is a conduit gland with 3-fold use. The cable gland with the safe EMC screen connection for all copper-screened cables is adapted to SILVYN® RILL conduits. Developed for applications, where cables and conduits have to be tight and strain relieved both at the same time. With the contact spring of the SKINTOP® MS-SC, the SILVYN® KSE has a save low resistance connection to the cable screen. The fast mounting takes place through a one-piece push-in lock. It's easy to dismantle by rotating the locking sleeve.



- Material:** Polyamide
Brass – nickel plated
- Features:** Push-In-Lock
For coarse and fine profile conduits
High mechanical stress
- Resistant:** To oils and benzene
Widely to acids and solvents
- Temperature range:** -20°C up to +100°C
- Colour:** Schwarz (UV-Resistant)



- Norm reference:**
- Note:** Free of halogen, silicon and cadmium
- Protection class:** IP 68



Dimension table:

Part No.	Part name	PG	Conduit Ø mm	Clamp range Ø F mm	C mm	D mm	SW 1 mm	SW 2 mm
5500 1200	SILVYN® KSE	9	13	4 – 8	57	6	17	22
5500 1210	SILVYN® KSE	11	15,8	6,5 – 10	62	6	20	25
5500 1230	SILVYN® KSE	16	21,2	10 – 14	70	6,5	24	31
5500 1240	SILVYN® KSE	21	28,5	14 – 17,5	75	7	30	39
5500 1250	SILVYN® KSE	29	34,5	19 – 25	88	8	40	46
5500 1260	SILVYN® KSE	36	42,5	23 – 33	98	15	50	58

For more information please see our current catalogue. Please do not hesitate to contact our laboratory if there are any questions regarding resistance against aggressive agents and special oil.

Creator: M. Wegerer /PDP Released: DAMU1/PDP	Document: DB55001200EN Version: 03	Page 1 of 1
---	---------------------------------------	-------------