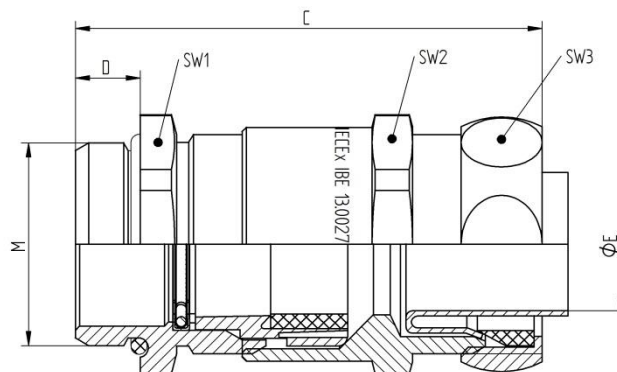


55506042	<b>DATA SHEET</b>	
Valid from: 03.07.2018	<b>SILVYN® MSK-M ATEX BRUSH</b>	

The SILVYN® MSK-M ATEX BRUSH is a multifunction conduit cable gland, which is especially developed for copper-screened cables and is used to achieve a low-resistance screen contact, strain relief and high protection class in potentially explosive areas. Through the optimum 360° screen contact, SILVYN® MSK-M ATEX BRUSH offers an innovative solution in EMC- as well as EX-areas. Furthermore, this multifunction conduit cable gland is utilized in applications, where cables and conduits need to be sealed and strain relieved concurrently.



Article-number	Article Designation	Connection Thread M	Length Connection Thread D	SW 1	SW 2	SW 3	Total Length C	Pieces / PU
<b>SILVYN® MSK-M ATEX BRUSH</b>								
55506042	SILVYN® MSK-M 25x1,5 AS ATEX BRUSH	M 25	8	29	29	29	55,5	10,0
55506043	SILVYN® MSK-M 32x1,5 AS ATEX BRUSH	M 32	9	36	36	36	71,5	1,0
55506044	SILVYN® MSK-M 40x1,5 AS ATEX BRUSH	M 40	9	45	45	45	75,5	1,0
55506045	SILVYN® MSK-M 50x1,5 AS ATEX BRUSH	M 50	10	54	54	54	81	1,0
55506030	SILVYN® MSK-M 63x1,5 AS ATEX BRUSH	M 63	15	67	67	66	87	1,0
<b>SILVYN® MSK-M EDU ATEX BRUSH</b>								
55506031	SILVYN® MSK-M 25x1,5 EDU ATEX BRUSH	M 25	8	29	29	29	55,5	10,0
55506032	SILVYN® MSK-M 32x1,5 EDU ATEX BRUSH	M 32	9	36	36	36	71,5	1,0
55506033	SILVYN® MSK-M 40x1,5 EDU ATEX BRUSH	M 40	9	45	45	45	75,5	1,0
55506034	SILVYN® MSK-M 50x1,5 EDU ATEX BRUSH	M 50	10	54	54	54	81	1,0
55506035	SILVYN® MSK-M 63x1,5 EDU ATEX BRUSH	M 63	15	67	67	66	87	1,0

55506042	<b>DATA SHEET</b>	
Valid from: 03.07.2018	<b>SILVYN® MSK-M ATEX BRUSH</b>	

**The multi-conduit cable gland consists of:**

Body	Nickel Plated Brass
O-Ring	Nitrile Rubber (NBR)
EMC-Brush	Brass
PA-Insert	Polyamide (PA 6)
Seal	Polychloroprene-Nitrile Rubber (CR/NBR)
Cap Nut	Nickel plated brass
End Grommet	Nickel Plated Brass
Seal TPE	Thermoplastic Elastomer (TPE)
Screw-Down Nut	Nickel Plated Brass

**Characteristics:**

**Connecting Thread:** Metric, according to EN 50262

**Temperature:** -30°C up to +90°C

**Protection Rating:** IP 68; toward conduit: IP 40 in combination with

SILVYN® AS  
SILVYN® EDU-AS  
SILVYN® EMC AS-CU

**Approvals:** CE 0637 Ex II 2G  
Ex eb IIC Ex II 1D  
Ex ta IIIC  
IECEX IBE 13.0033X

**Suitable Conduits:**

- SILVYN® AS
- SILVYN® EDU-AS
- SILVYN® EMC AS-CU

For more information please see our current catalogue. Please do not hesitate to contact our laboratory if there are any questions regarding resistance against aggressive agents and special oil.

Creator: PDP Released: DAMU1/PDP	Document: DB55506042EN Version: 01	Page 2 of 2
-------------------------------------	---------------------------------------	-------------