


52023607	<b>DATA SHEET</b>	
Valid from: 23.10.2024	<b>SKINDICHT® O-Ring FKM PG</b>	

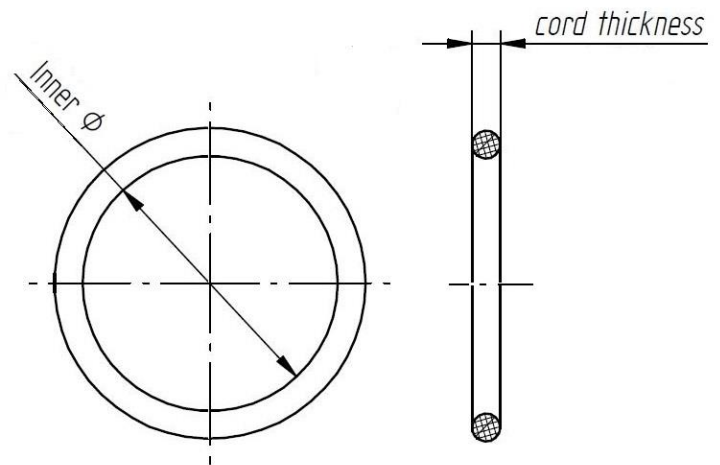
SKINDICHT® O-ring FKM PG provide safe sealing against oil, water, alkalis, acids and extreme conditions at the connection thread of gland or similar parts.



**Technical features:**

Material	FKM
Colour	Green
PG-Sizes	PG7 up to PG48
Temperature range	-20 °C up to +200 °C
Hardness	70±5 Shore A

Article designation	Inner Ø x cord thickness	Article No.
O 7	10 x 1,5	52023607
O 9	13 x 1,5	52122011
O 11	16 x 1,5	52023602
O 13,5	18 x 1,5	52023601
O 16	20 x 1,5	52023603
O 21	26 x 2	52023604
O 29	34 x 2	52023606
O 36	44 x 2	52023608
O 42	50 x 2	52023609
O 48	55 x 2	52023611



For more information please see our current catalogue. Please do not hesitate to contact our laboratory if there are any questions regarding resistance against aggressive agents and special oil.

Creator: M. Wegerer/PDP Released: DAMU1/PDP	Document: DB52023607EN Version: 05	Page 1 of 1
--	---------------------------------------	-------------