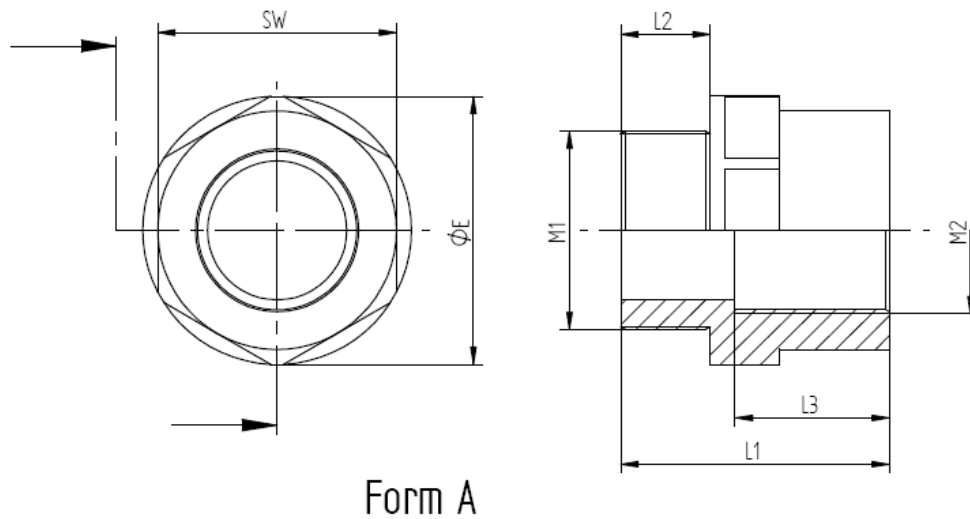


52104471	<b>DATA SHEET</b>	
Valid from: 03.07.2018	<b>SKINDICHT® KU-M</b>	

Die SKINDICHT® KU-M FORM A reducer enables the use of cable glands with smaller connection threads than the existing threaded holes on the machinery, devices and housings.



Thread outer M1	Thread inner M2	SW	L1	L2	L3	E	Part No.
M20x1.5	M16x1.5	24	27	9	15.5	27	5210 4471

### Technical Feature:

Material: polyamide, glass fibre reinforced

Temperature range: - 25°C up to +80°C

Colour: RAL 7035

For more information please see our current catalogue. Please do not hesitate to contact our laboratory if there are any questions regarding resistance against aggressive agents and special oil.

Creator: PDP Released: DAMU1/PDP	Document: DB52104471EN Version: 01	Page 1 of 1
-------------------------------------	---------------------------------------	-------------