


52110023	<b>DATA SHEET</b>	
Valid from: 02.05.2025	<b>SKINTOP® MS-M/MSR-M ATEX BRUSH</b>	

SKINTOP®MS-M/MSR-M ATEX BRUSH is a nickel-plated brass cable gland, especially designed for copper-screened cables, used to achieve a low-resistance screen contact, strain relief and high protection class. The SKINTOP® MS-M ATEX BRUSH contacts the screen much faster than any other system. (DIN EN 60079-0, DIN EN 60079-7, DIN EN 60079-31, IEC 60079-0, IEC 60079-7, IEC 60079-31).



**Components:**

Gland body	Brass, nickel-plated
Cap nut	Brass, nickel-plated
Insert with lamellar cage	Polyamide (V2 acc. to UL94)
Sealing ring	CR
Contact brush	Brass wire
O-ring	NBR

**Technical features:**

Connecting thread	M16x1,5 up to M63x1.5 acc. to EN 60423
Protection class	IP66, IP68 - 10 bar, test acc. to EN 60529
Temperature range	-30 °C up to +90 °C

**Approvals:**




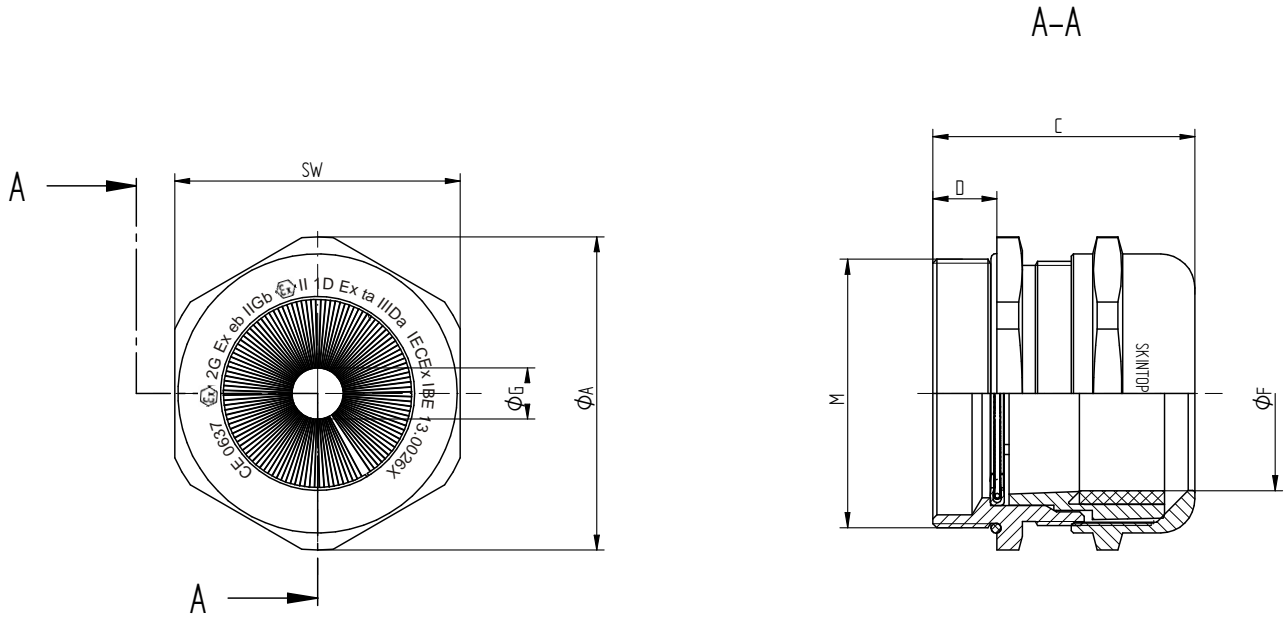
EC Type Examination Certificate	IBExU 01 ATEX 1041x
IECEX Certificate	IECEX IBE 13.0026x
DNV from size M25 up to M63 plus (M16 and M20 in progress now)	

**Norm references:**



We reserve all rights according to DIN ISO 16016.  
PD 0019/05\_04.18EN

52110023	<b>DATA SHEET</b>	
Valid from: 02.05.2025	<b>SKINTOP® MS-M/MSR-M ATEX BRUSH</b>	



#### MS-M ATEX BRUSH

M	SW [mm]	Ø A [mm]	C [mm]	D [mm]	Ø F [mm] Clamping range	Ø G [mm] over braiding	O-ring [mm]	Article No.
M16x1,5	20	22	31	7	4,5-10	2-6	13x2	52110022
M20x1,5	24	26,4	33	8	7 - 13	3 - 9	17x2	52110029
M25x1,5	29	31,9	37	8	9 - 17	6 - 13,5	22x2	52110023
M32x1,5	36	39,6	42,2	9	11 - 21	8 - 18	28x2	52110024
M40x1,5	45	49,5	48	9	19 - 28	10 - 26	36x2	52110025
M50x1,5	54	59,0	53,5	10	27 - 35	14 - 33	46x2	52110026
M63x1,5	67	73,5	60	15	34 - 45	20 - 40	57x2	52110027
M63x1,5 plus	75	83,9	69,0	15	44 - 55	25 - 47	57x2	52110028

#### MSR-M ATEX BRUSH

M	SW [mm]	Ø A [mm]	C [mm]	D [mm]	Ø F [mm] Clamping range	Ø G [mm] Over braiding	O-ring [mm]	Article No.
M16x1,5	20	22,0	31,0	7,0	2 - 7	2 - 6	13x2	52110020
M20x1,5	24	26,4	33,0	8,0	5 - 10	3 - 9	17x2	52110021
M25x1,5	29	31,9	37	8,0	6 - 13	6 - 13,5	22x2	52110030
M32x1,5	36	39,6	42,2	9,0	7 - 15	8 - 18	28x2	52110031
M40x1,5	45	49,5	48,0	9,0	15 - 23	10 - 26	36x2	52110032
M50x1,5	54	59,0	53,5	10,0	22 - 29	14 - 33	46x2	52110033
M63x1,5	67	73,5	60	15,0	28 - 39	20 - 40	57x2	52110034

For more information please see our current catalogue. Please do not hesitate to contact our laboratory if there are any questions regarding resistance against aggressive agents and special oil.

Creator: MAAU1 /PDP Released: DAMU1/PDP	Document: DB52110023EN Version: 13	Page 2 of 2
--	---------------------------------------	-------------